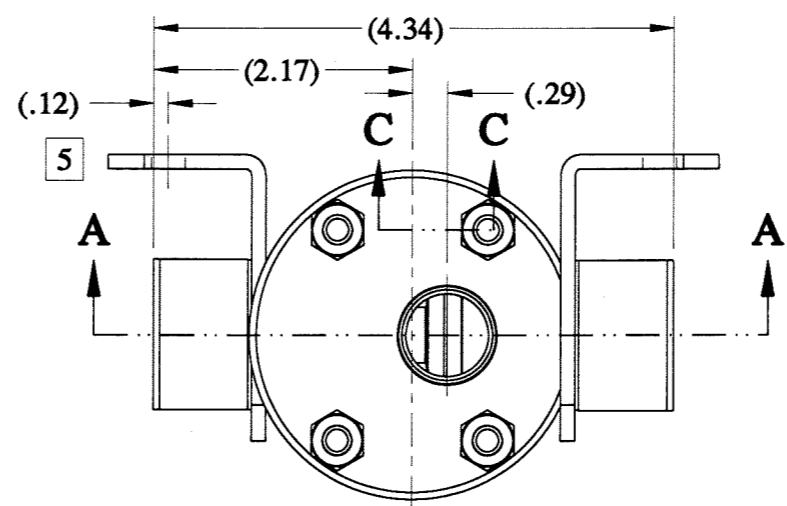
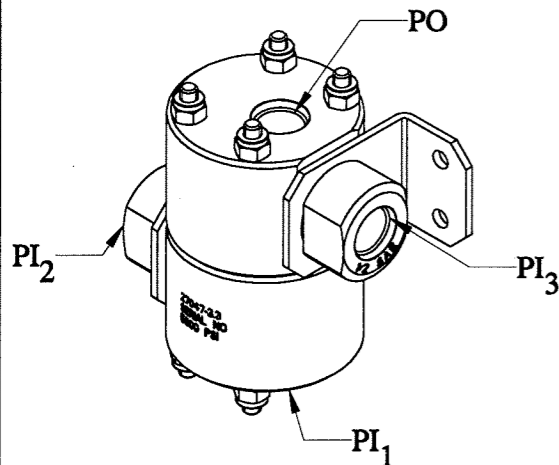


REV	ECN/ERN NO.	DRWN	CHKD	APPD
A	ERN 01134	WRC 4/23/07	CS/03/07	CS/03/07

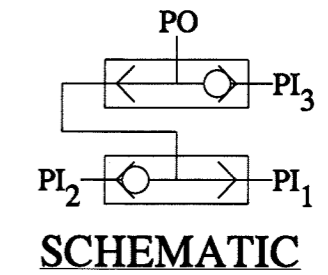
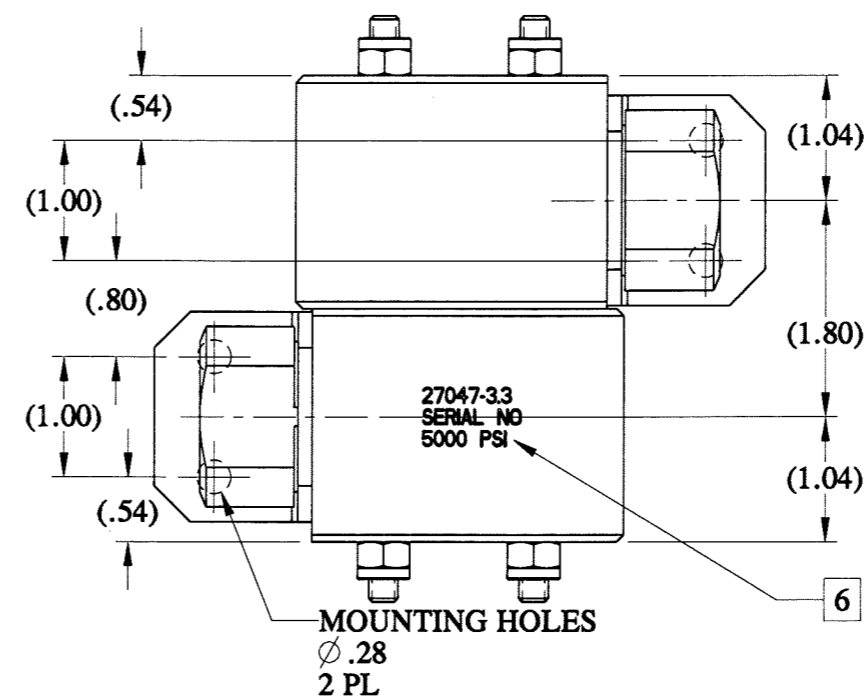
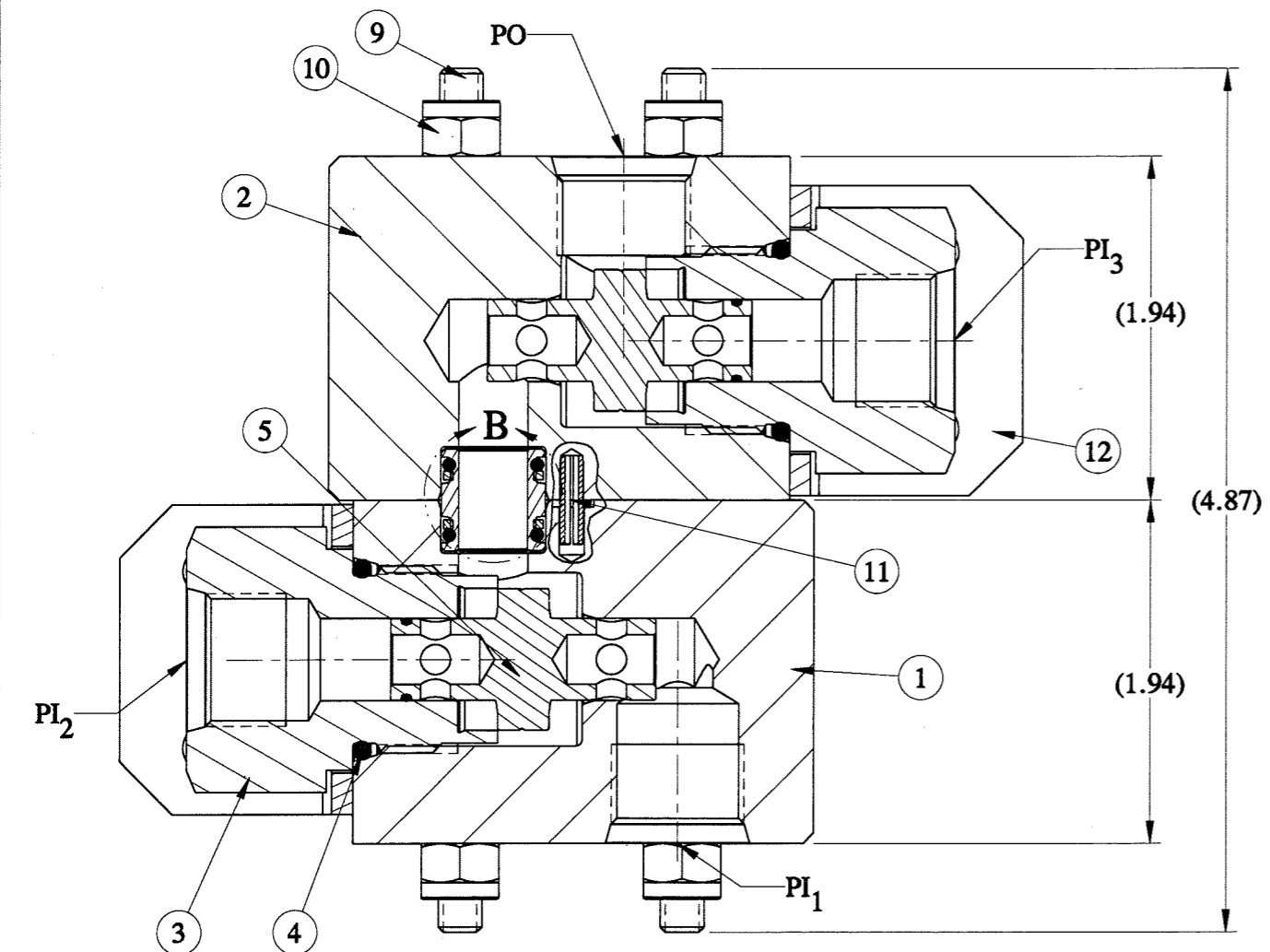


ITEM NO	QTY	PART NO	DESCRIPTION	RK
1	1	23855	BODY, INLET	
2	1	23853	BODY, OUTLET	
3	2	27529	ADAPTER, 1/2" SAE	X
4	2	18100-063B	O-RING	X
5	2	27134-1	SHUTTLE, LI	X
6	1	13052	SEAL SUB, 1/2"	
7	2	18100-013B	O-RING	X
8	2	18110-010T	BACKUP RING	X
9	4	21092-013	STUD	
10	8	21112-001	HEX LOCK NUT, NYLON, 1/4-20 UNC-2B	X
11	1	18510-006	SPRING PIN	
12	2	12993	MOUNTING PLATE	

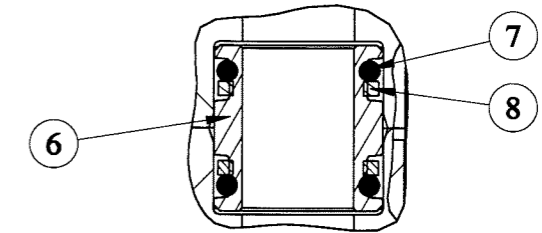
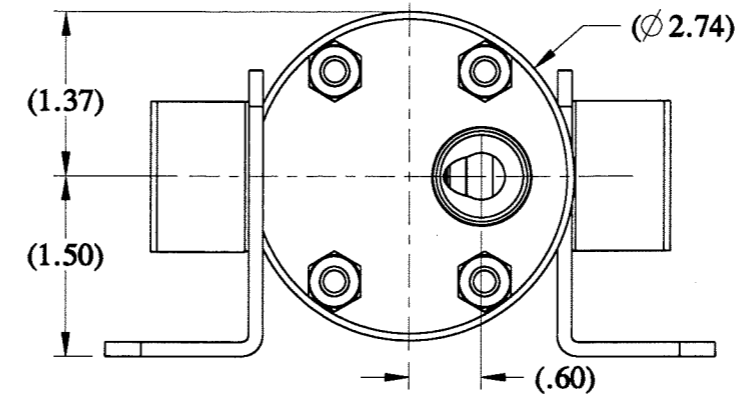
MAX PRESSURE RATING: 5,000 PSI
 MAX FLOW CAPACITY: 80 GPM
 TEMP RANGE: -20° F TO 200° F
 Cv: SEE TABLE BELOW
 CONNECTIONS: 1/2 SAE
 APPROX WEIGHT: 7 LBS
 FLUIDS: WATER, MINERAL OIL BASED HYDRAULIC FLUIDS
 FIELD SERVICEABLE

MATERIALS
17-4PH
302 SS
316 SS
302/304/316 SS
NITRILE
NITRONIC 60
TEFLON

PI₁ Cv: 1.7
 PI₂ Cv: 1.7
 PI₃ Cv: 2.4



SCHEMATIC



**DETAIL B
SCALE 3:2**

- NOTES: 1. X, IN COLUMN RK, DEPICTS PARTS IN REPAIR KIT, 27047-3.3 RK.
- 6 STAMP (.13 HIGH MIN): PART NO, SERIAL NO, 5000 PSI
- 5 MOUNTING PLATE (ITEM #12) IS FREE TO ROTATE 360° AROUND ADAPTER FOR MOUNTING PURPOSES.
4. MOUNTING PLATES (ITEM #12) REQUIRE QTY. 4, Ø 1/4 BOLTS.
3. TORQUE INLET ADAPTERS (ITEM #3) AT ASSEMBLY TO 50 FT-LBS.
2. DO NOT SCRATCH/DAMAGE METAL SEALING SURFACES ON SHUTTLE & ADAPTER.

MATERIAL	UNLESS OTHERWISE SPECIFIED	DRWN BY	DATE	GILMORE VALVE CO. 1231 LUMPKIN RD. HOUSTON, TX 77043	
SEE BOM ITEMS	TOLERANCES: DECIMALS FRACTIONS ANGLES X.X ±.1 ±1/32 ±.5 X.XX ±.01 X.XXX ±.005	WRC	4/23/07		
TREATMENT	CONDITION	CHKD BY	DATE	VALVE, SHUTTLE, HP-MK III STACK, 1/2" SAE TUBE LOW INTERFLOW, DAMPENED	
		CS	03/03/07		
PROC. NO.	DEBURR BREAK SHARP EDGES .010 INTERNAL RADIUS .015 FINISH	APPD BY	DATE	27047-3.3	
GVCPC-0254	DIMENSIONS ARE IN INCHES DO NOT SCALE DRAWING INTERPRET DIM. & TOL. PER ASME Y14.5M - 1994	CS	03/03/07		
THE INFORMATION CONTAINED IN THIS DRAWING IS THE SOLE PROPERTY OF GILMORE VALVE CO. UNLESS OTHERWISE STATED. ANY REPRODUCTION IN PART OR WHOLE WITHOUT THE WRITTEN PERMISSION OF GILMORE VALVE CO. IS PROHIBITED.		ERN NO.	DATE	SCALE	REV
		01134	4/20/07	C	A
		SCALE NTS		PRO/ENGINEER	SHEET 1 OF 1