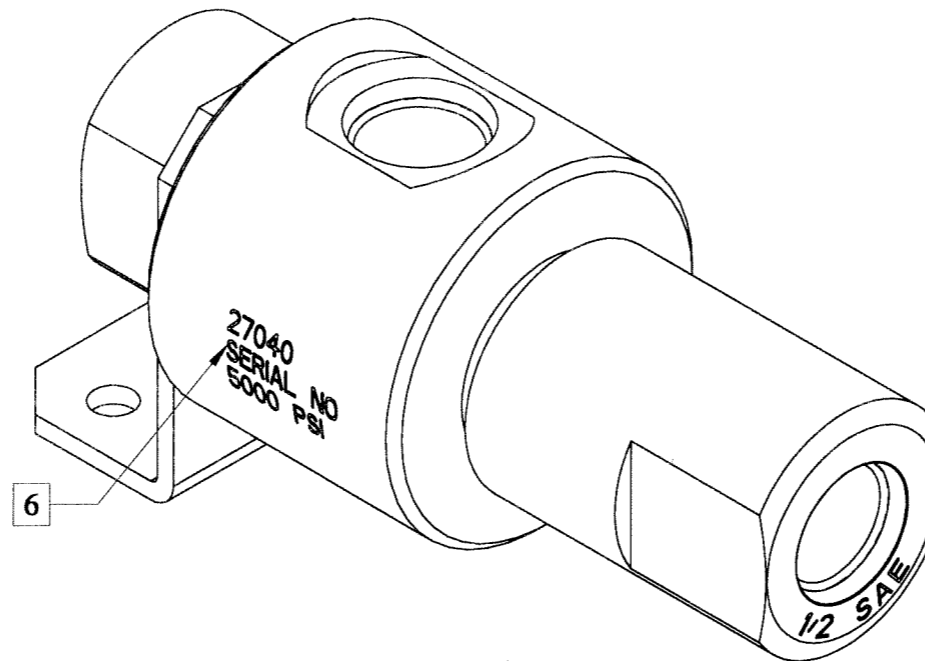


REV	ECN/ERN NO.	DRWN	CHKD	APPD
B	ECN 2924	WRC 3/31/05	Jay/12/06	Jay/12/06

ITEM NO	QTY	PART NO	DESCRIPTION	RK
1	1	12991	BODY	
2	1	12990	ADAPTER, 1/2" SAE	X
3	1	27115	ADAPTER, SPRING BIAS	X
4	1	12993	MOUNTING PLATE, 1/2"	
5	1	18100-063B	O-RING	X



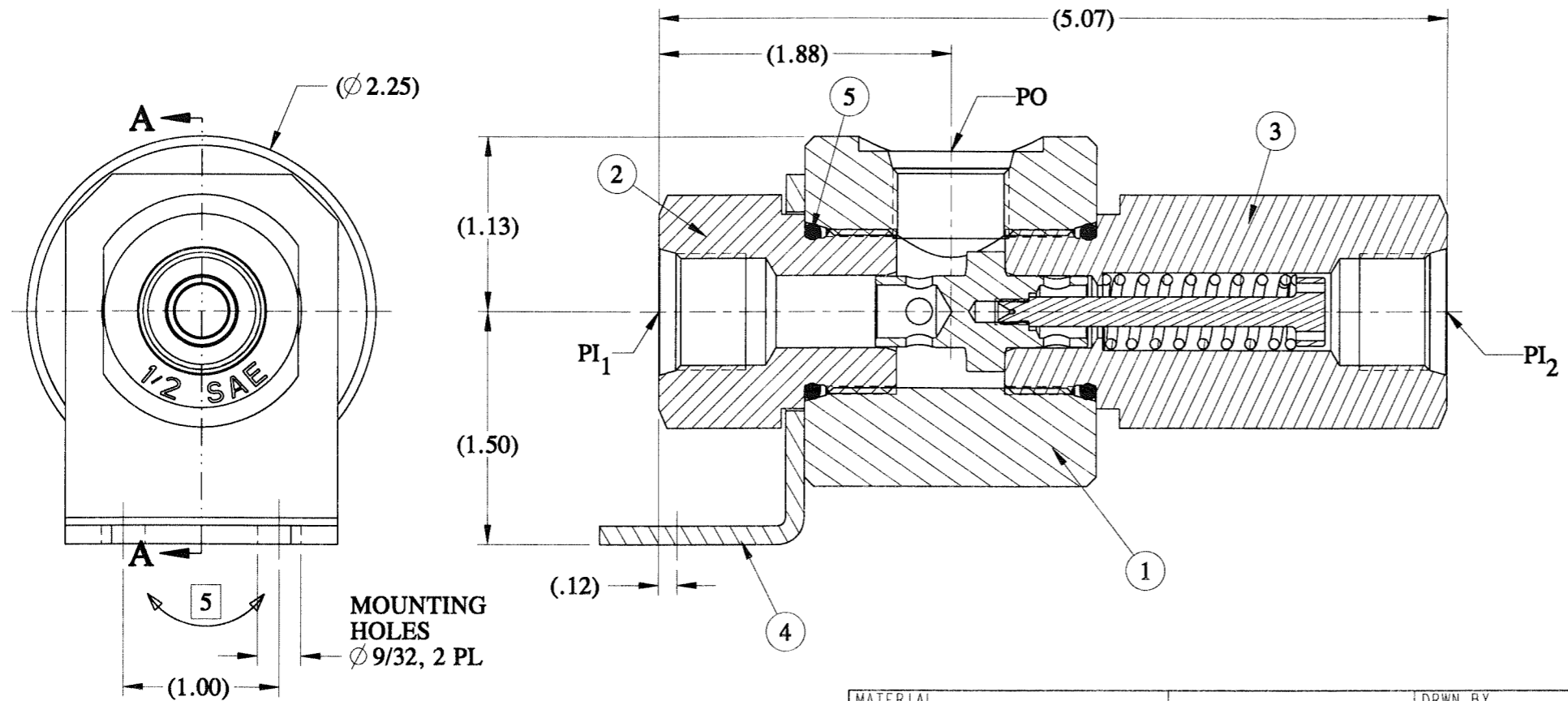
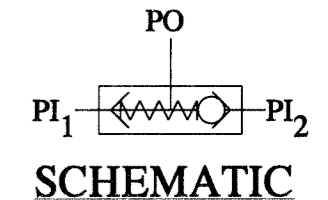
MAX PRESSURE RATING - 5,000 PSI
 MAX FLOW CAPACITY - 80 GPM
 TEMP RANGE - 20° F TO 200° F
 Cv: PI₁ - 2.4

PI₂ - 0.4
 CONNECTIONS: PI₁ - 1/2" SAE
 PI₂ - 1/2" SAE
 PO - 1/2" SAE

APPROX WEIGHT - 3.3 LBS
 FLUIDS - WATER, MINERAL OIL BASED
 HYDRAULIC FLUIDS
 FIELD SERVICEABLE

U.S. PATENT 6,318,400

MATERIALS
316 SS
302/304/316 SS
NITRILE
NITRONIC 60



- 6 STAMP (.13 HIGH MIN): PART NO, SERIAL NO, 5000 PSI
- 5 MOUNTING PLATE (ITEM #4) IS FREE TO ROTATE 360° AROUND ADAPTER FOR MOUNTING PURPOSES.
- 4. MOUNTING PLATE (ITEM #4) REQUIRES QTY 2, Ø 1/4" BOLTS.
- 3. DO NOT SCRATCH/DAMAGE METAL SEALING SURFACES ON SHUTTLE & ADAPTERS.
- 2. TORQUE INLET ADAPTERS (ITEM #2 & #3) AT ASSEMBLY TO 50 FT-LBS.

NOTES: 1. X, IN COLUMN RK, DEPICTS PARTS IN REPAIR KIT, 27040 RK.

MATERIAL		UNLESS OTHERWISE SPECIFIED		DRWN BY	DATE	GILMORE VALVE CO. 1231 LUMPKIN RD. HOUSTON, TX 77043 VALVE, SHUTTLE, HP-MK III, 1/2" SAE, SPRING BIASED, LOW INTERFLOW	
SEE BOM ITEMS		TOLERANCES:		JP	11/13/99		
TREATMENT	CONDITION	DECIMALS	FRACTIONS	ANGLES	DATE		
		X.X ±.1	±1/32	±1.0	12/3/99		
PROC. NO.		DEBURR		APPD BY	DATE	DWG NO. 27040 SCALE 1:1 PRO/ENGINEER SHEET 1 OF 1	
GVCP-0254		BREAK SHARP EDGES .010		HH	12/3/99		
THE INFORMATION CONTAINED IN THIS DRAWING IS THE SOLE PROPERTY OF GILMORE VALVE CO. UNLESS OTHERWISE STATED, ANY REPRODUCTION IN PART OR WHOLE WITHOUT THE WRITTEN PERMISSION OF GILMORE VALVE CO. IS PROHIBITED.		INTERNAL RADIUS .015		ERN NO.	DATE	REV	
		FINISH 63/		00057	11/10/99	B	
		DIMENSIONS ARE IN INCHES		DO NOT SCALE DRAWING			
		INTERPRET DIM. & TOL. PER ASME Y14.5M - 1994					