

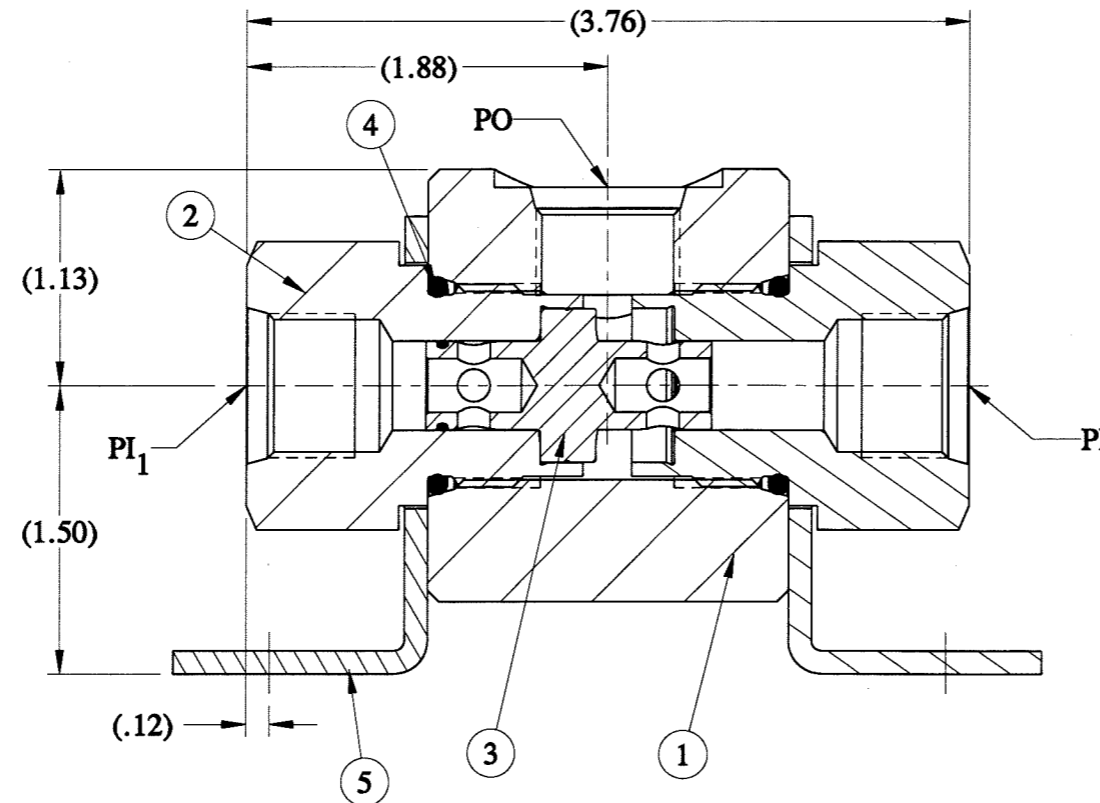
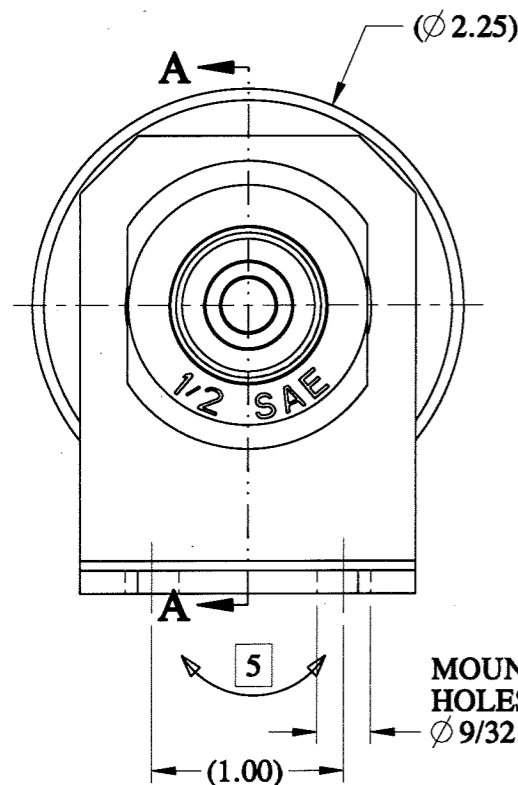
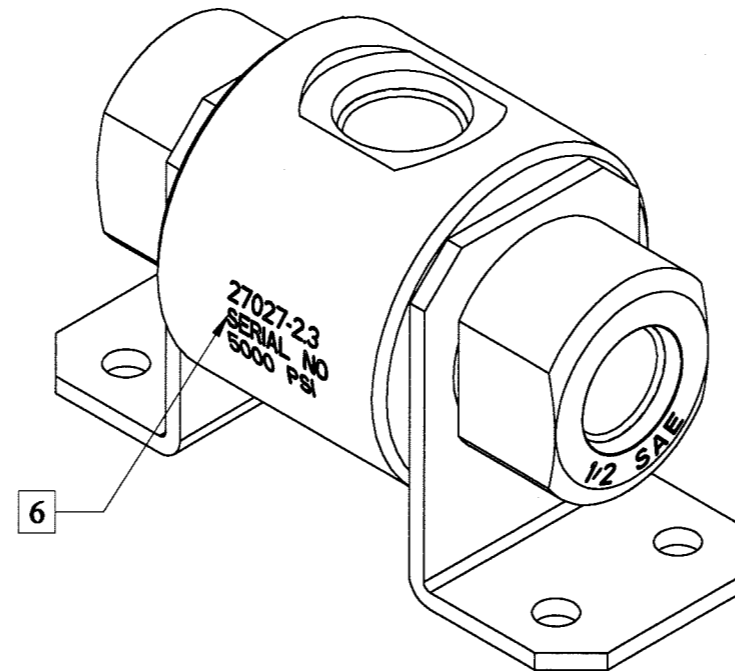
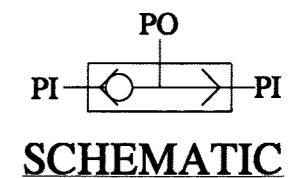
REV	ECN/ERN NO.	DRWN	CHKD	APPD
A	ERN 01134	WRC 4/23/07	<i>SS</i> 05/03/07	<i>SS</i> 05/03/07

ITEM NO	QTY	PART NO	DESCRIPTION	RK
1	1	12991	BODY	
2	2	27529	ADAPTER, 1/2" SAE	X
3	1	27134-1	SHUTTLE, LI	X
4	2	18100-063B	O-RING	X
5	2	12993	MOUNTING PLATE	

MAX PRESSURE RATING: 5,000 PSI
 MAX FLOW CAPACITY: 80 GPM
 TEMP RANGE: -20° F TO 200° F
 Cv: 2.4
 CONNECTIONS: 1/2" SAE TUBE
 APPROX WEIGHT: 2.9 LBS
 FLUIDS - WATER, MINERAL OIL BASED
 HYDRAULIC FLUIDS
 FIELD SERVICEABLE

U.S. PATENT 6,318,400

MATERIALS
316 SS
302/304/316 SS
NITRILE
NITRONIC 60



MOUNTING HOLES
 ϕ 9/32, 2 PL

- 6** STAMP (.13 HIGH MIN): PART NO, SERIAL NO, 5000 PSI
5 MOUNTING PLATE (ITEM #5) IS FREE TO ROTATE 360° AROUND ADAPTER FOR MOUNTING PURPOSES.
4. MOUNTING PLATES (ITEM #5) REQUIRE QTY 4, ϕ 1/4" BOLTS.
3. DO NOT SCRATCH/DAMAGE METAL SEALING SURFACES ON SHUTTLE & ADAPTERS.
2. TORQUE INLET ADAPTERS (ITEM #2) AT ASSEMBLY TO 50 FT-LBS.

NOTES: 1. X, IN COLUMN RK, DEPICTS PARTS IN REPAIR KIT, 27027-2.3 RK.

MATERIAL		UNLESS OTHERWISE SPECIFIED		DRWN BY	DATE	GILMORE VALVE CO. 1231 LUMPKIN RD. HOUSTON, TX 77043	
SEE BOM ITEMS		TOLERANCES:		WRC	4/23/07		
TREATMENT	CONDITION	DECIMALS	FRACTIONS	ANGLES	DATE	VALVE, SHUTTLE, HP-MK III, 1/2" SAE LOW INTERFLOW, DAMPENED	
		X.X ±.1	±1/32	±1.0	05/03/07		
		X.XX ±.01			DATE	DWG NO. 27027-2.3	
		X.XXX ±.005			05/03/07		
PROC. NO.	GVCP-0254	DEBURR BREAK SHARP EDGES .010 INTERNAL RADIUS .015 FINISH 63/		APPD BY	DATE	REV A	
		DIMENSIONS ARE IN INCHES DO NOT SCALE DRAWING		01134	4/20/07		
THE INFORMATION CONTAINED IN THIS DRAWING IS THE SOLE PROPERTY OF GILMORE VALVE CO. UNLESS OTHERWISE STATED, ANY REPRODUCTION IN PART OR WHOLE WITHOUT THE WRITTEN PERMISSION OF GILMORE VALVE CO. IS PROHIBITED.		INTERPRET DIM. & TOL. PER ASME Y14.5M - 1994		SCALE 1:1		PRO/ENGINEER	SHEET 1 OF 1