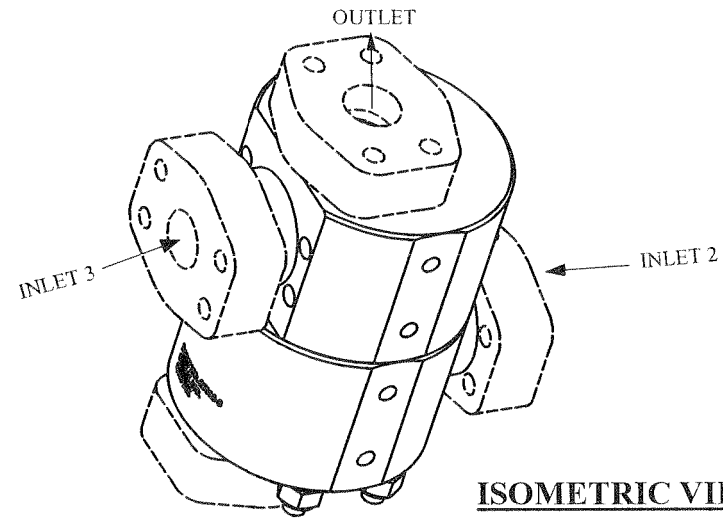
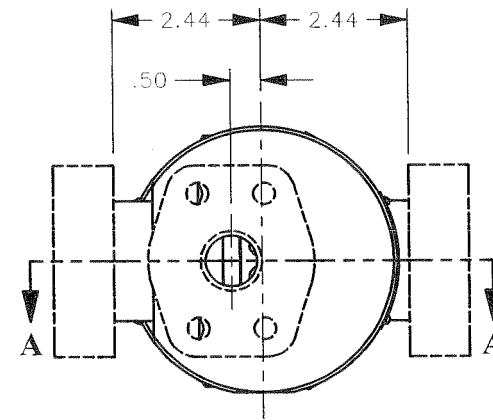


REV	ECN/ERN NO.	DRWN	CHKD	APPD
A	ERN 00061	CWC 12/01/99	JP 12/7/99	H ² 7-Dec-99



ISOMETRIC VIEW

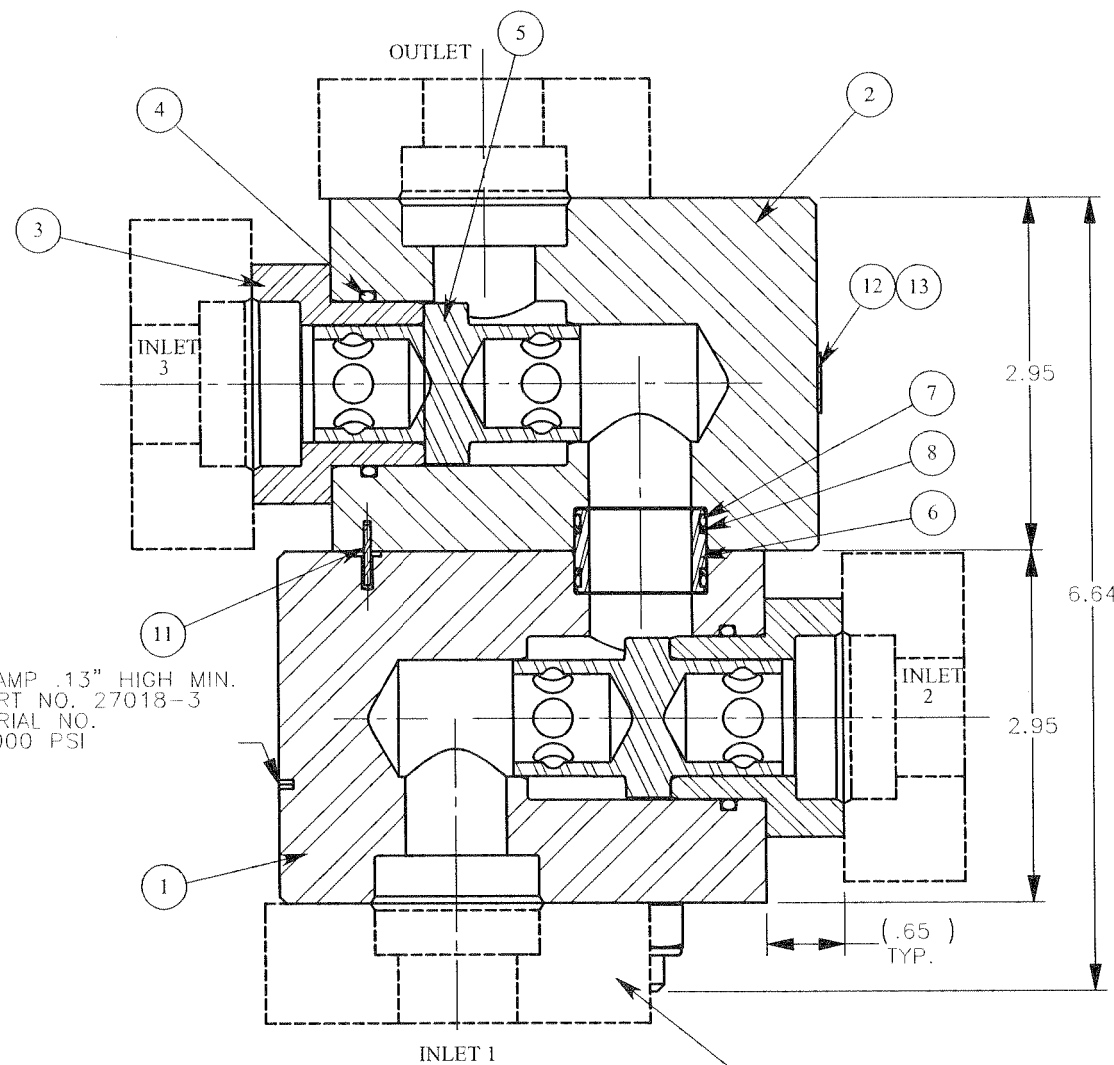


TOP VIEW

ITEM NO.	QTY.	PART NO.	DESCRIPTION	RK
1	1	23429	BODY, INLET (1" SAE FLANGES)	
2	1	23430	BODY, OUTLET (1" SAE FLANGES)	
3	2	13144	SLEEVE W/ SEAL SUB	X
4	2	18100-076C	O-RING, 1-9/16 x 1-3/8 x 3/32	X
5	2	27001	SHUTTLE, 1" MK-III	X
6	1	13051	1" SEAL SUB	
7	2	18100-611B	O-RING, 1-1/16 x 15/16 x 1/16	X
8	2	18110-025T	BACKUP RING, 1-1/16 x 15/16	X
9	4	21092-010	STUD, 3/8-16 UNC x 4-1/4 LG.	
10	4	21112-002	LOCK NUT, 3/8-16 UNC	
11	1	18510-006	SPRING PIN, 1/8" DIA x 1/2" LG	
12	1	12227	NAME TAG	
13	2	21082-002	SCREW, DRIVE	

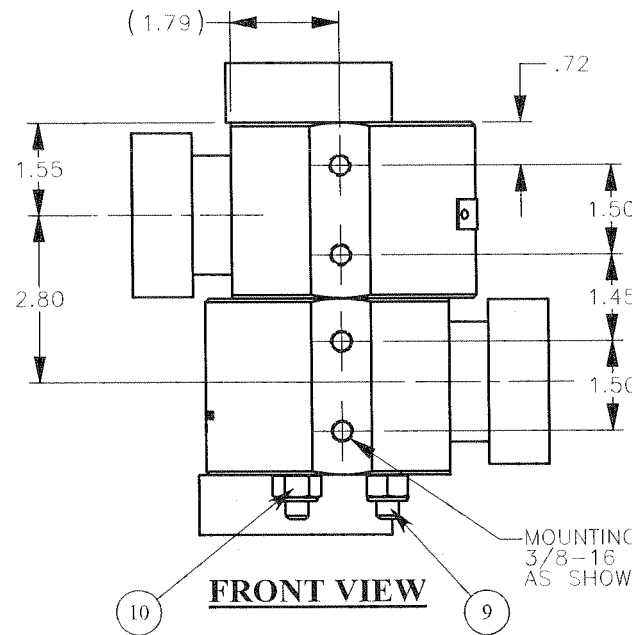
MAX. PRESSURE RATING - 5,000 PSI
 MAX. FLOW CAPACITY - 250 GPM
 TEMP. RANGE -20°F TO 200°F
 Cv = SEE TABLE BELOW
 CONNECTIONS - 1" SAE, 6,000 PSI FLANGE W/ SEAL SUB POCKETS
 APPROX. WEIGHT 30 LBS.
 FLUIDS - WATER & MINERAL OIL BASED HYDRAULIC FLUIDS

INLET 1 Cv = 6.4
 INLET 2 Cv = 6.4
 INLET 3 Cv = 9.0



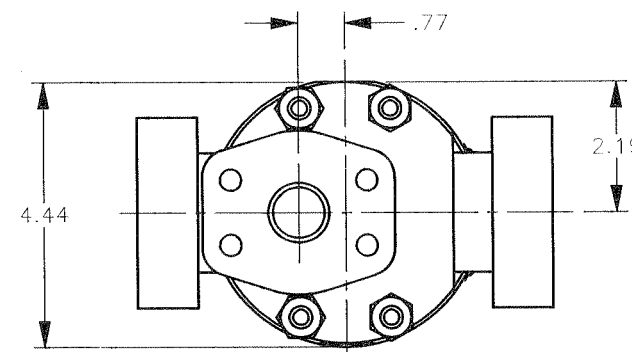
SECTION 'A-A'
SCALE 1:1

1" SAE, 6,000 PSI FLANGE
 W/ SEAL SUB POCKETS
 SEE DETAIL B
 (SUPPLIED BY OTHERS)
 TYP. 4 PLC'S.

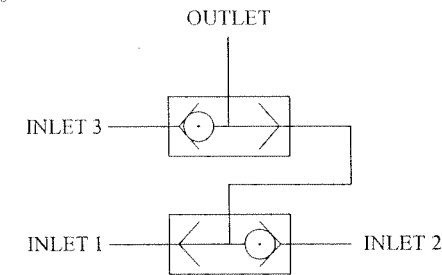


FRONT VIEW

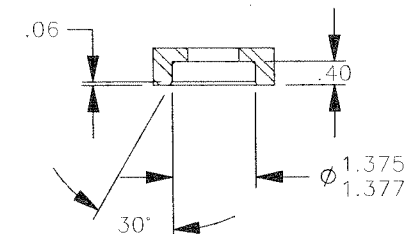
MOUNTING DIMENSIONS
 3/8-16 UNC 2B x .50"
 AS SHOWN



BOTTOM VIEW



DETAIL B
POCKET DETAIL
TYP. 4x
SCALE 1:1



STAMP .13" HIGH MIN.
 PART NO. 27018-3
 SERIAL NO.
 5,000 PSI

- NOTES:**
- DO NOT SCRATCH/DAMAGE METAL SEALING SURFACES ON SHUTTLES & SLEEVES
 - X DEPICTS PARTS IN REPAIR KIT 27018-3 RK
 - MOUNTING BOLTS FOR 1" 6,000 PSI FLANGES TO BE 7/16-14 UNC. TAP DEPTH IN BODY'S ARE ϕ 1/2"

MATERIAL REFER TO INDIV. B.O.M. ITEMS	UNLESS OTHERWISE SPECIFIED TOLERANCES: DECIMALS FRACTIONS ANGLES X ± .1 ± 1/32 ± 1° XX ± .01 ± 1/64 ± 1° XXX ± .005 ± 1/128 ± 1°	DRWN BY CWC	DATE 12/01/99
TREATMENT	CONDITION	CHKD BY JP	DATE 12/7/99
PROC. NO. GVCP-0254	DEBURR BREAK SHARP EDGES .010	APPD BY H ²	DATE 7-Dec-99
FINISH 57	DIMENSIONS ARE IN INCHES DO NOT SCALE DRAWING	ERN NO. 00061	DATE 11/18/99

GILMORE VALVE COMPANY
 1231 LUMPKIN RD.
 HOUSTON, TX. 77043
 ASSEMBLY, SHUTTLE, HP-MKIII,
 STACK, 1" SPCL. x SPCL.,
 LOW INTERFLOW

SIZE C	DWG NO. 27018-3	REV A
SCALE 1:2	SOLIDWORKS	SHEET 1 OF 1