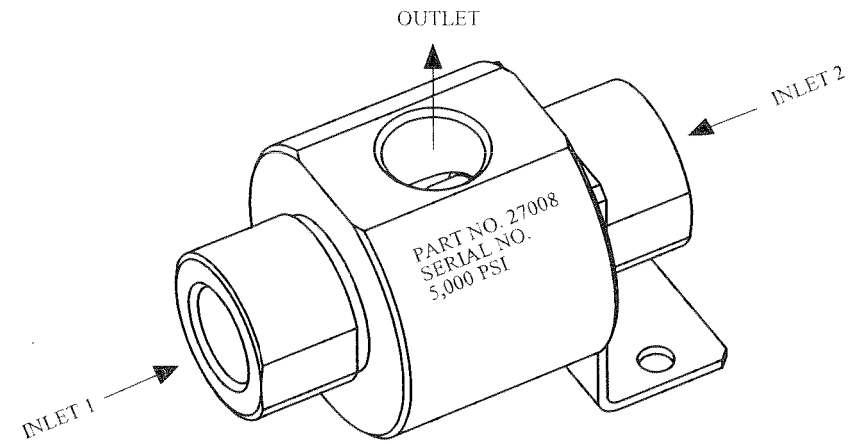
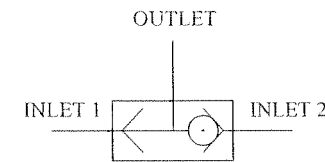


REV	ECN/ERN NO.	DRWN	CHKD	APPD
A	ERN 00044	CWC 9/29/99	JP 10/20/99	H ² 10/20/99

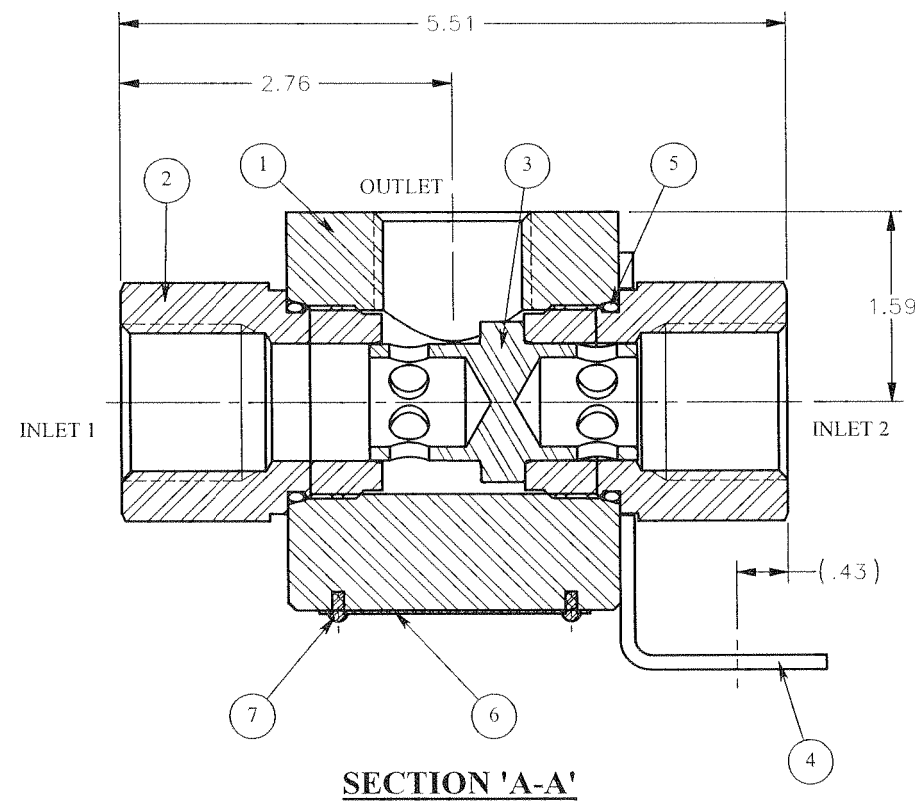
ITEM NO.	QTY.	PART NO.	DESCRIPTION	RK
1	1	23831	BODY, 1" NPT	
2	2	23829	ADAPTOR	X
3	1	27001	SHUTTLE, 1" MK-III	X
4	1	23828	MOUNTING PLATE	
5	2	18100-619B	O-RING, 1-11/16 x 1-1/2 x 3/32	X
6	1	12227	NAME TAG	
7	2	21082-002	SCREW, DRIVE	



ISOMETRIC VIEW

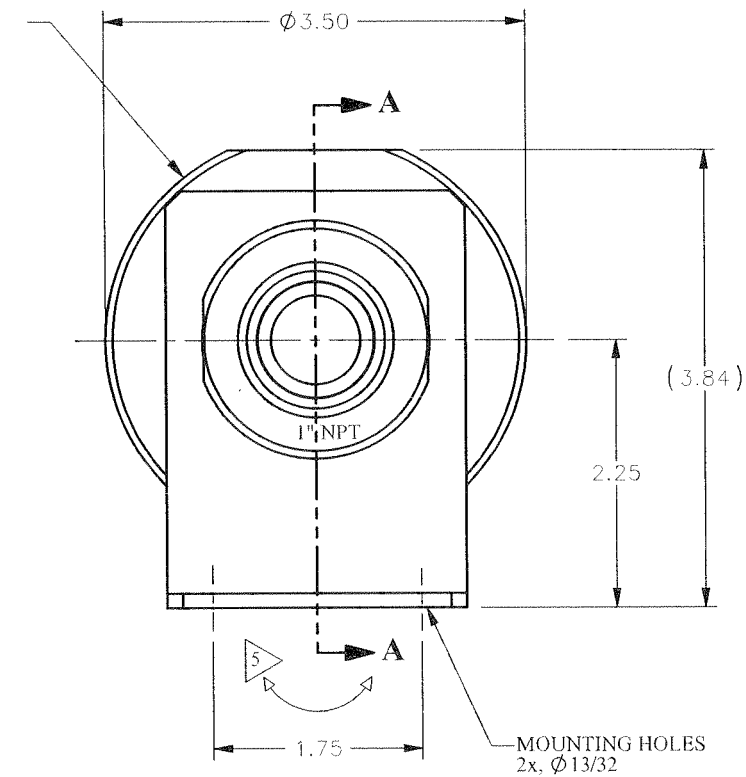


MAX. PRESSURE RATING - 5,000 PSI
 MAX. FLOW CAPACITY - 250 GPM
 TEMP. RANGE -20°F TO 200°F
 Cv = 9.0
 CONNECTIONS - 1" NPT
 APPROX. WEIGHT 8 LBS.
 FLUIDS - WATER & MINERAL OIL BASED
 HYDRAULIC FLUIDS



SECTION 'A-A'

STAMP - 13" HIGH MIN.
 PART NO. 27008
 SERIAL NO.
 5,000 PSI



- NOTES:**
- 1.) TORQUE INLET ADAPTORS (ITEM #2) AT ASSEMBLY TO 125 FT. LBS.
 - 2.) DO NOT SCRATCH/DAMAGE METAL SEALING SURFACES ON SHUTTLE & ADAPTOR
 - 3.) MOUNTING PLATE (ITEM #4) REQUIRE QTY. 2, Ø3/8 BOLTS
 - 4.) X DEPICT'S PARTS IN REPAIR KIT 27008 RK
 - 5.) MOUNTING PLATE (ITEM #4) IS FREE TO ROTATE 360° AROUND ADAPTOR FOR MOUNTING PURPOSES

MATERIAL REFER TO INDIV. B.O.M. ITEMS		UNLESS OTHERWISE SPECIFIED TOLERANCES: DECIMALS FRACTIONS ANGLES X ± .1 ± 1/32 ± 1° XX ± .01 XXX ± .005 DEBURF BREAK SHARP EDGES 0:10 FINISH $\sqrt{32}$		DRWN BY CWC	DATE 9/29/99	GILMORE VALVE COMPANY 1231 LUMPKIN RD. HOUSTON, TX. 77043	
TREATMENT	CONDITION	CHKD BY JP	DATE 10/20/99	APPD BY H ²	DATE 10/20/99		
PROC. NO. GVCP-0254	DIMENSIONS ARE IN INCHES DO NOT SCALE DRAWING INTERFERE DIM. & TOL. PER ASME Y14.5M - 1994		ERN NO. 00044	DATE 9/29/99	SIZE C	DWG NO. 27008	REV A
SCALE 1:1		SOLIDWORKS		SHEET 1 OF 1			