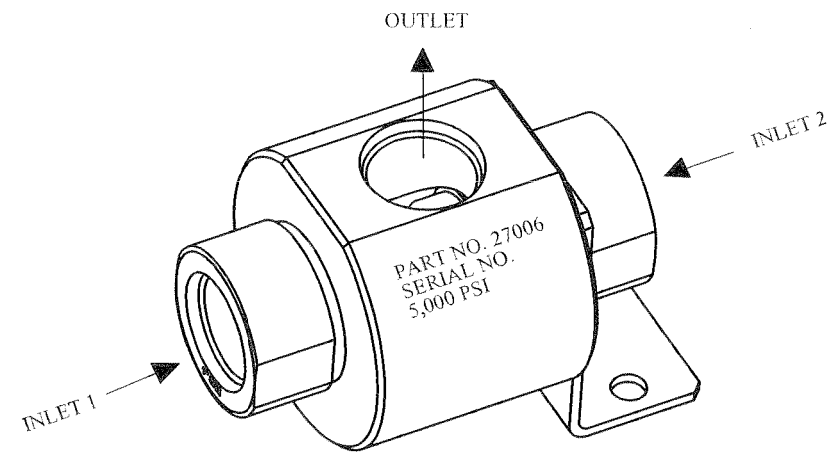


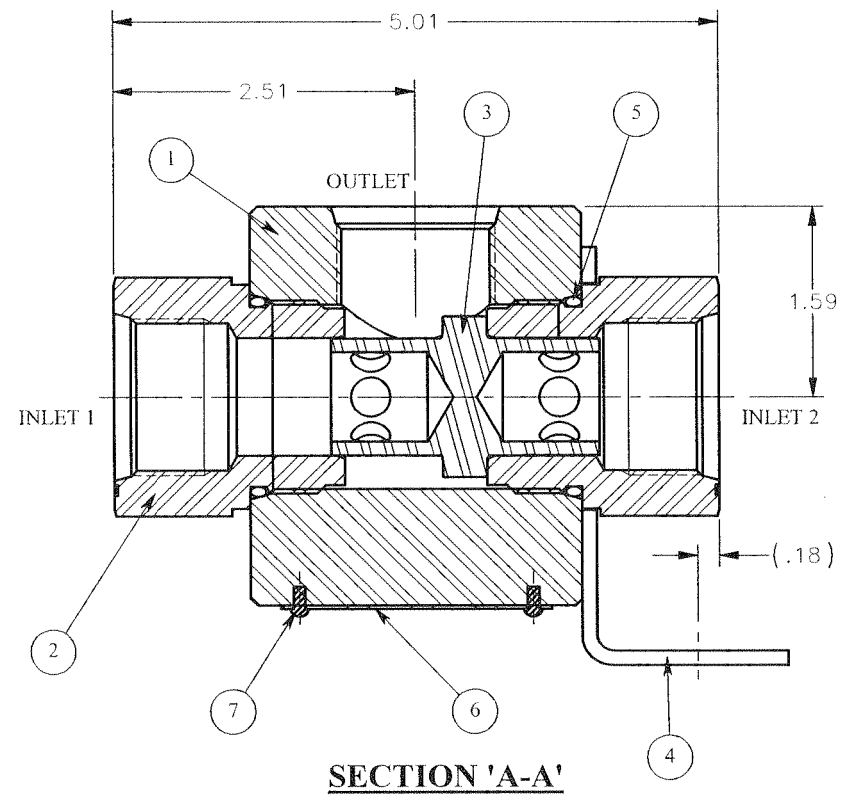
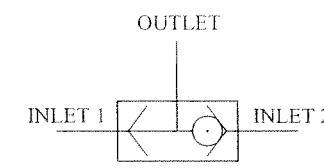
REV	ECN/ERN NO.	DRWN	CHKD	APPD
A	ERN 00044	JP 9/30/99	CWC 10/20/99	H ² 10/20/99

ITEM NO.	QTY.	PART NO.	DESCRIPTION	RK
1	1	23827	BODY, 1" SAE	
2	2	23826	ADAPTER, 1" SAE	X
3	1	27001	SHUTTLE, 1" MK-III	X
4	1	23828	MOUNTING PLATE	
5	2	18100-619B	O-RING, 1-11/16 x 1-1/2 x 3/32	X
6	1	12227	NAME TAG	
7	2	21082-002	SCREW, DRIVE	

MAX. PRESSURE RATING-5,000 PSI
 MAX. FLOW CAPACITY-250 GPM
 TEMP. RANGE -20°F TO 200°F
 Cv = 9.0
 CONNECTIONS-1" SAE TUBING
 EST. WEIGHT 8 LBS.
 FLUIDS-WATER & MINERAL OIL BASED
 HYDRAULIC FLUIDS

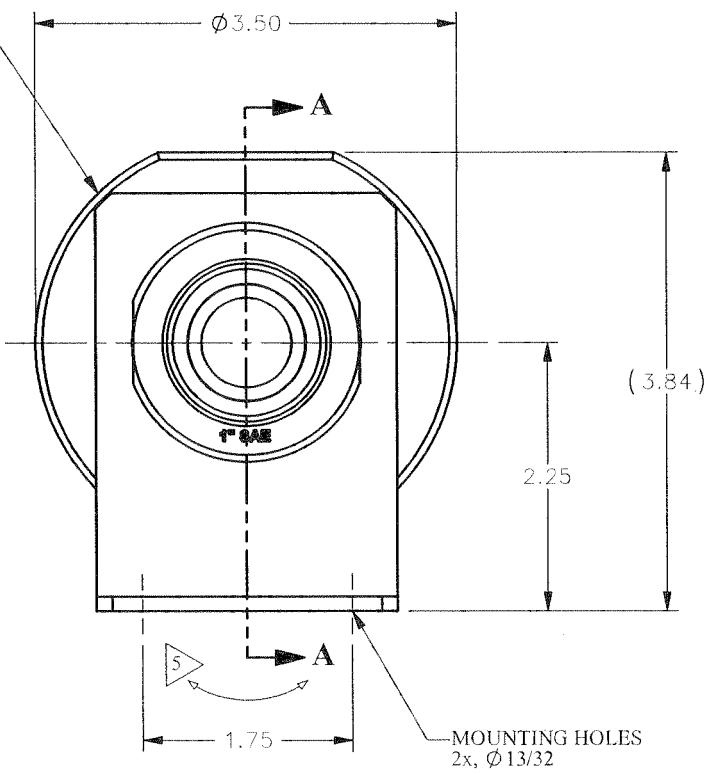


ISOMETRIC VIEW



SECTION 'A-A'

STAMP .13" HIGH MIN.
 PART NO. 27006
 SERIAL NO.
 5,000 PSI



- NOTES:
- 1.) TORQUE INLET ADAPTORS (ITEM #2) AT ASSEMBLY TO 125 FT. LBS.
 - 2.) DO NOT SCRATCH/DAMAGE METAL SEALING SURFACES ON SHUTTLE & ADAPTORS
 - 3.) MOUNTING PLATE (ITEM #4) REQUIRE QTY. 2, Ø3/8 BOLTS
 - 4.) X DEPICTS PARTS IN REPAIR KIT 27006 RK
 - 5.) MOUNTING PLATE (ITEM #4) IS FREE TO ROTATE 360° AROUND ADAPTOR FOR MOUNTING PURPOSES

MATERIAL REFER TO INDIV. B.O.M. ITEMS	UNLESS OTHERWISE SPECIFIED TOLERANCES: DECIMALS FRACTIONS ANGLES ±.01 ±1/32 ±1° ±.005 DEBURR BREAK SHARP EDGES .010 FINISH	DRWN BY JP	DATE 9/30/99	GILMORE VALVE COMPANY 1231 LUMPKIN RD. HOUSTON, TX. 77043
TREATMENT	CONDITION	CHKD BY CWC	DATE 10/20/99	
PROC. NO. GVCP-0254	THE INFORMATION CONTAINED IN THIS DRAWING IS THE SOLE PROPERTY OF GILMORE VALVE CO. UNLESS OTHERWISE STATED, ANY REPRODUCTION IN WHOLE OR IN PART WITHOUT THE WRITTEN PERMISSION OF GILMORE VALVE CO. IS PROHIBITED.	APPD BY H ²	DATE 10/20/99	ASSEMBLY, SHUTTLE, HP-MKIII 1" SAE, LOW INTERFLOW
	DIMENSIONS ARE IN INCHES DO NOT SCALE DRAWING INTERPRET DIMS & TOL. PER ASME Y14.5M-1994	ERN NO. 00044	DATE 9/29/99	
				SIZE DWG. NO. 27006
				REV A
				SCALE 1:1 SOLIDWORKS SHEET 1 OF 1