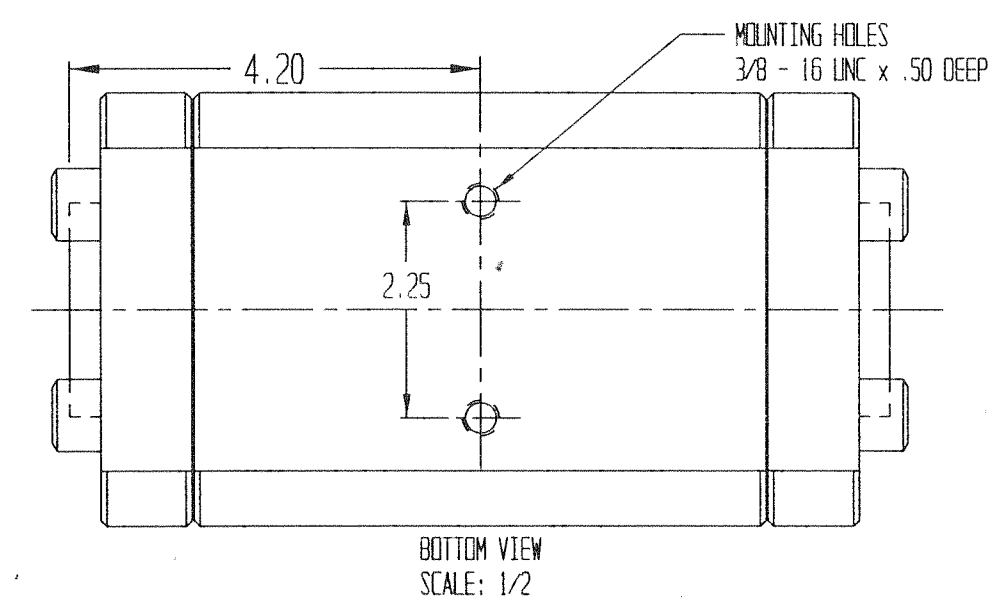
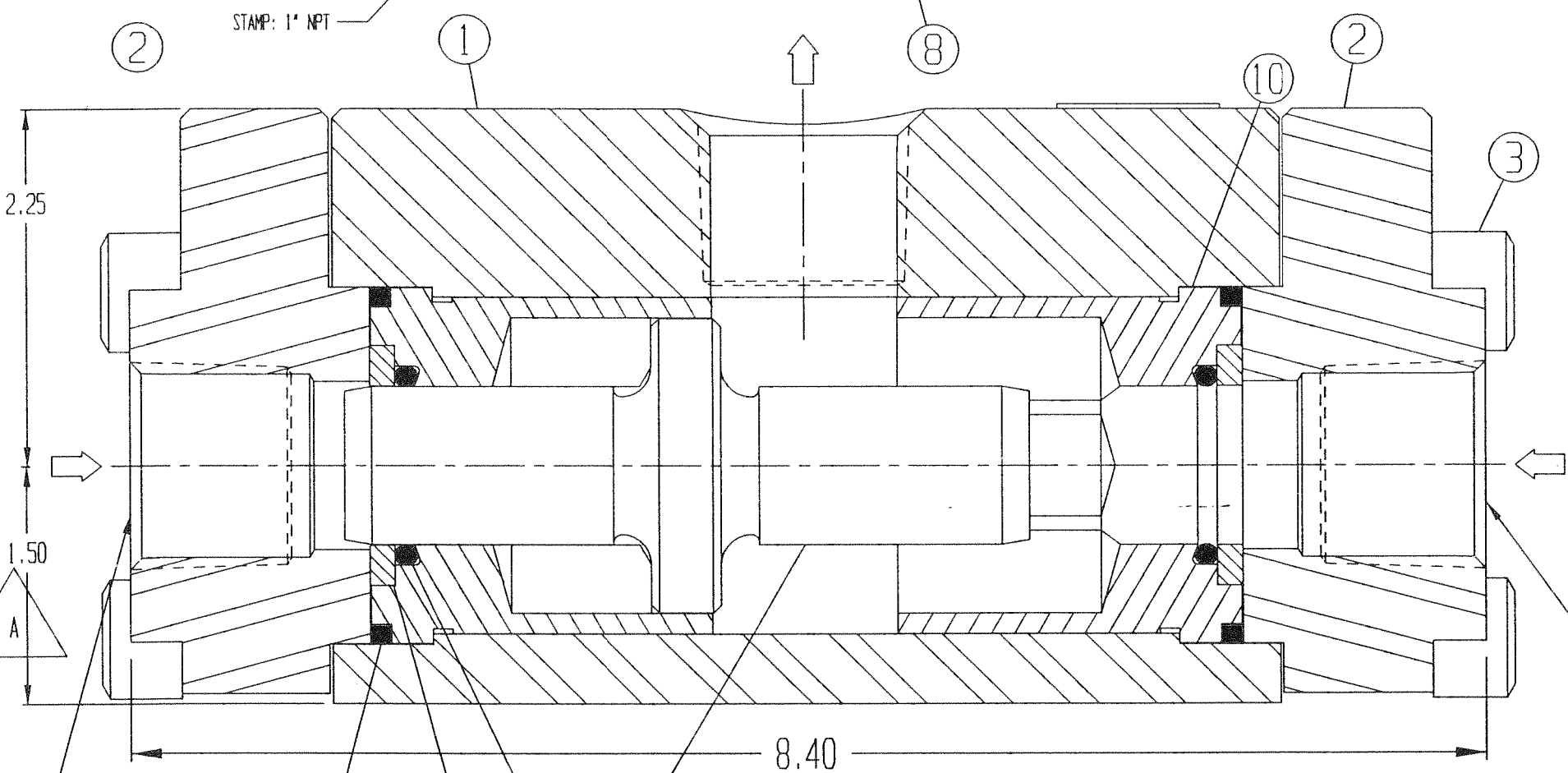


PARTS LIST

ITEM	DESCRIPTION	PART NO.	REQ'D
1	HOUSING	23970	1
2	FLANGE	23971	2
3	S.H.C.S. 1/2-13 x 1.5	18224-005	8
* 0	O-RING 2-1/4 x 2 x 1/8	18100-102B	2
0	SPACER	11363	2
* 0	O-RING 1-1/4 x 1 x 1/8 PTFE	18100-107T	2
8	NAME TAG	12225	1
0	SHUTTLE	22124	1
0	CAGE	22961	2
0 CONTAINED IN REPAIR KIT - 25476RK			
* CONTAINED IN SEAL KIT - 25476SK			

MAX. INLET PRESSURE RATING - 5,000 PSI  
 CONNECTIONS - 1" NPT  
 EST. WT. - 19 lbs



US PATENT No. 4253481

NAME OF PART		SHUTTLE VALVE, 1" NPT LOW INTERFLOW	
<b>GILMORE VALVE COMPANY</b> HOUSTON, TEXAS			
DATE - 12/12/97	REFERENCE		
SCALE - FULL	DRAWING NO.		
DR. BY - RLR	25476		
C'K'D BY -	APP'D BY -		

MATERIAL : 17-4 PH STAINLESS STEEL \*

TREATMENT	ROCKWELL "C"	TOLERANCES UNLESS OTHERWISE SPEC.
		3 - PLACE DEC. ± .005
		2 - PLACE DEC. ± .01
		FRACTIONAL ±
		ANGULAR ± 3°

ALL PIPE THREADS TO BE IN ACCORD - ANCE WITH AMERICAN STANDARD GAUGE UNLESS OTHERWISE SPECIFIED.

A	ECN NO. 1616 / FROM 4.00 DIA. TO 4.50 DIA. + PICTORAL CHANGES	7-15-99	JOSE
	ADD 1.50 & TO BOTTOM DIMENSION.		
NO.	REVISIONS	DATE	DR.

\* ITEMS 1 AND 2

SECTION A-A

STAMP: 1" NPT

STAMP: 1" NPT

STAMP: 1" NPT