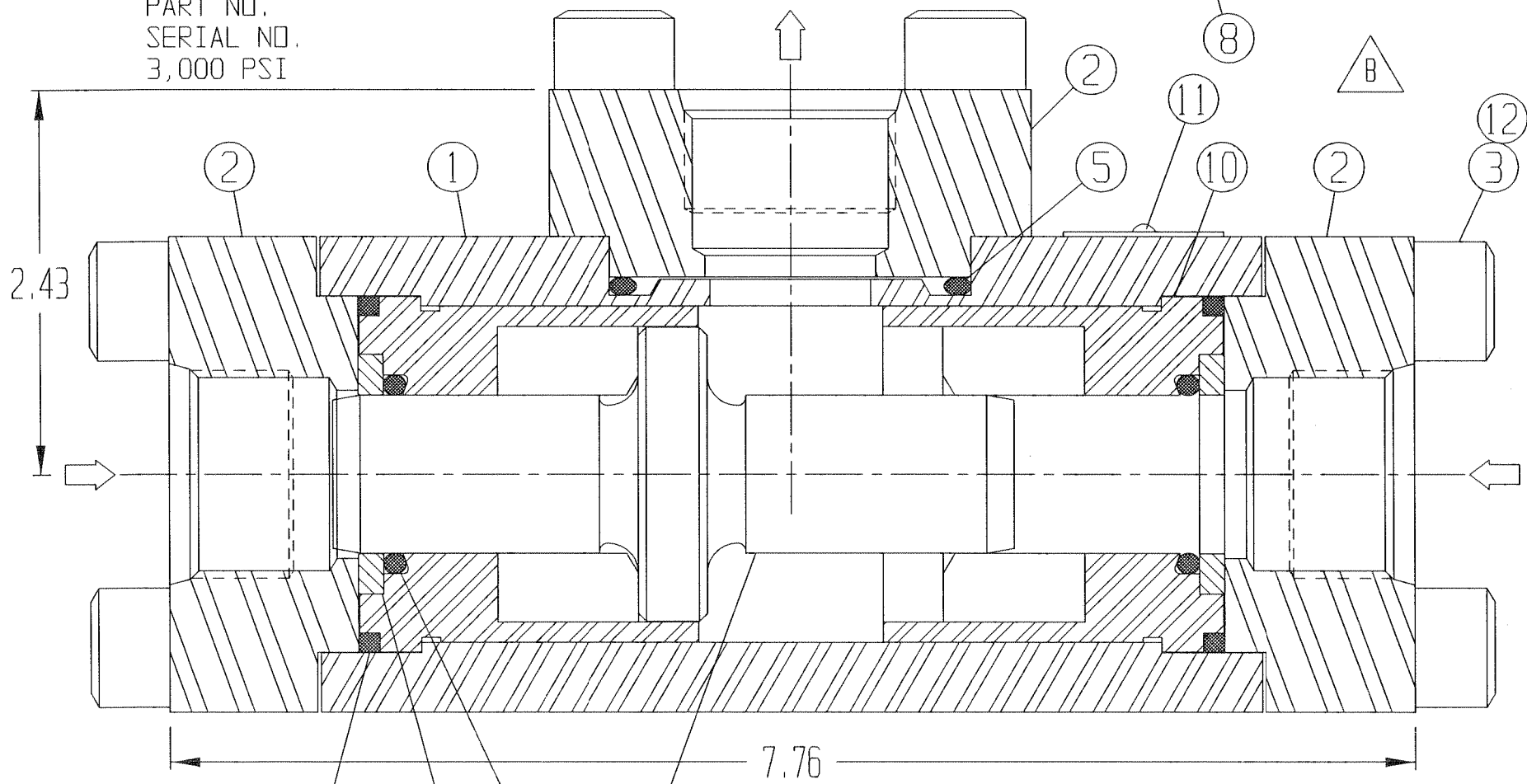


STAMP
PART NO.
SERIAL NO.
3,000 PSI



SECTION A-A

* ITEMS 1 AND 2

MATERIAL : 18-8 STAINLESS STEEL *					
TREATMENT	ROCKWELL "C"	TOLERANCES UNLESS OTHERWISE SPEC.			
		3 - PLACE DEC. ± .005			
		2 - PLACE DEC. ± .01			
ALL PIPE THREADS TO BE IN ACCORD - ANCE WITH AMERICAN STANDARD GAUGE UNLESS OTHERWISE SPECIFIED.		FRACTIONAL ±			
		ANGULAR ± 3°			

ITEM	DESCRIPTION	PART NO.	REQ'D
1	HOUSING	23171	1
2	FLANGE	23785	3
3	S.H.C.S. 1/2-13 x 1.5 SS	18224-005	12
* 5	O-RING 2-1/4 x 2 x 1/8	18100-102B	3
6	SPACER	11363	2
* 7	O-RING 1-1/4 x 1 x 1/8 PTFE	18100-107T	2
8	NAME TAG	12225	1
9	SHUTTLE	22124	1
10	CAGE	22961	2
11	SCREW, DRIVE, 3/16 LG.	21082-002	2
12	ANTI-SEIZE COMPOUND (BULK)	25822	A/R
* 13	ANTI-SEIZE COMPOUND (PACKET/RK-SK)	25822-1	1

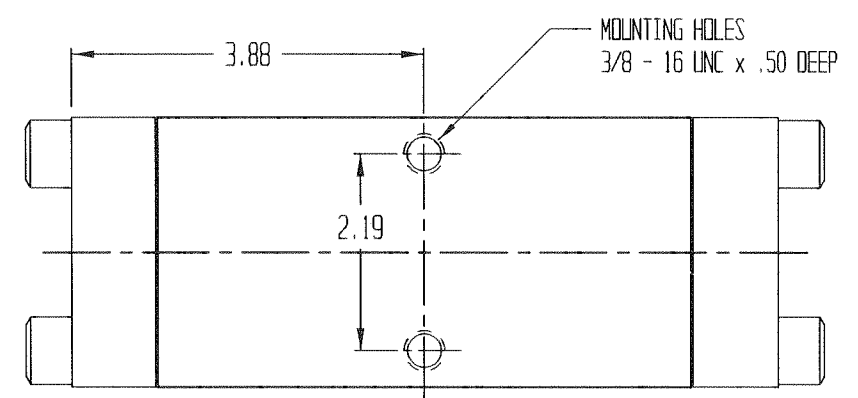
△ B

△ B

△ B

⑬ o CONTAINED IN REPAIR KIT - 25427RK
* CONTAINED IN SEAL KIT - 25427SK

MAX. INLET PRESSURE RATING - 3,000 PSI
CONNECTIONS - 1" SAE TUBING



BOTTOM VIEW
SCALE: 7/16

US PATENT No. 4253481

EST. WT. - 19 lbs

NAME OF PART		SHUTTLE VALVE, 1" SAE CUSHIONED, LOW INTERFLOW	
GILMORE VALVE COMPANY HOUSTON, TEXAS			
DATE - 3/8/96	REFERENCE		
SCALE - FULL			
DR. BY - RLR	DRAWING NO.		
C'K'D BY - JOSE	25427		
APP'D BY - TMB			

B	ECN NO. 1846	4/4/00	JOSE	
NO.	REVISIONS	DATE	DR.	CK.