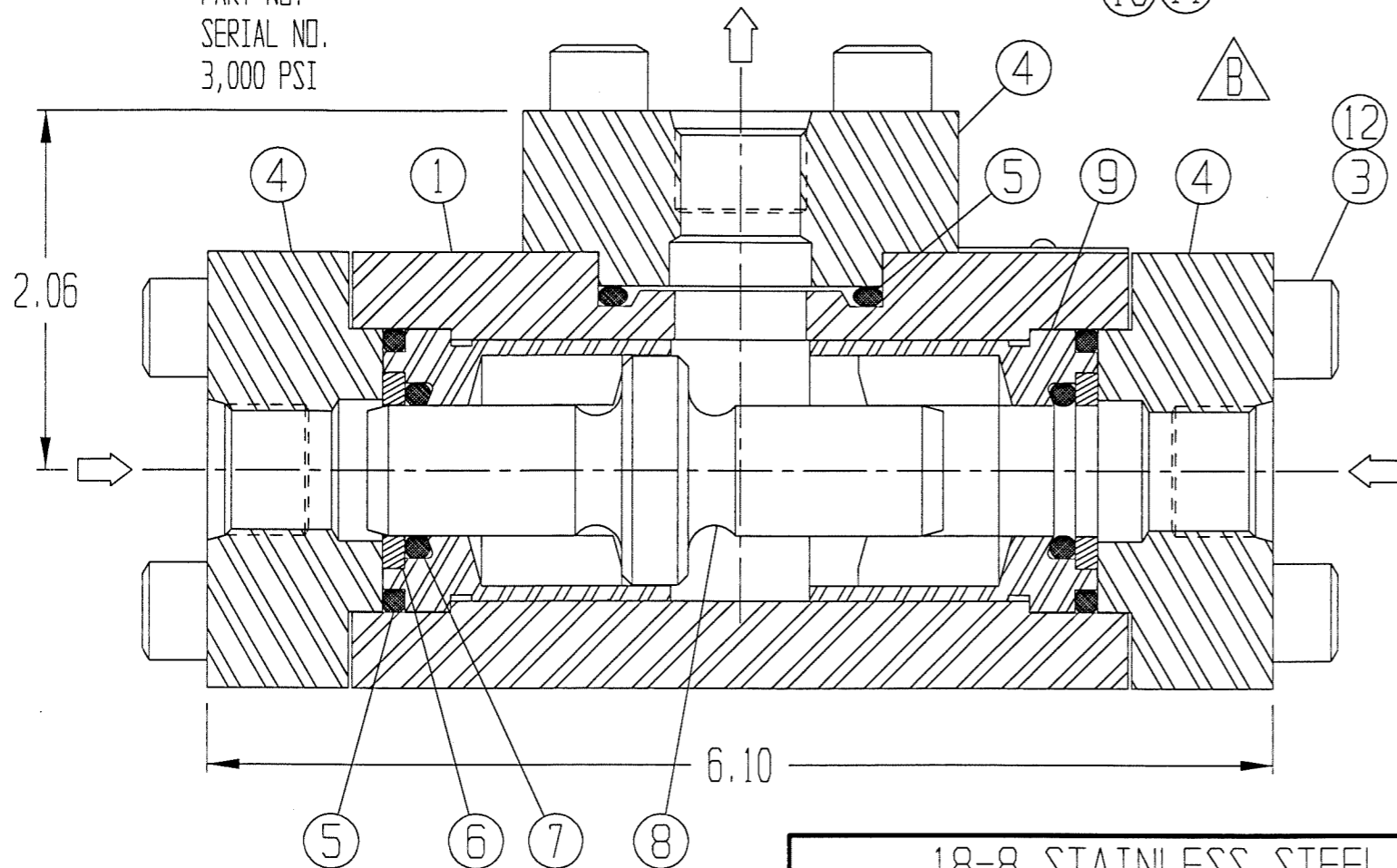


STAMP :  
PART NO.  
SERIAL NO.  
3,000 PSI



SECTION A-A

\* ITEMS 1 AND 4

ITEM	DESCRIPTION	PART NO.	REQ'D
1	HOUSING	23173	1
3	S.H.C.S. 3/8-16 x 1.25 SS	18224-002	12
4	FLANGE	12949	3
*5	O-RING 1-5/8 x 1-3/8 x 1/8	18100-103B	3
6	SPACER	11353	2
*7	O-RING 1 x 3/4 x 1/8 TEFLON	18100-109T	2
8	SHUTTLE	23009	1
9	CAGE	23008	2
10	NAME TAG	12225	1
11	SCREW, DRIVE, 3/16" LG.	21082-002	2
12	ANTI-SEIZE COMPOUND (BULK)	25822	A/R
*13	ANTI-SEIZE COMPOUND (PACKET)	25822-1	1

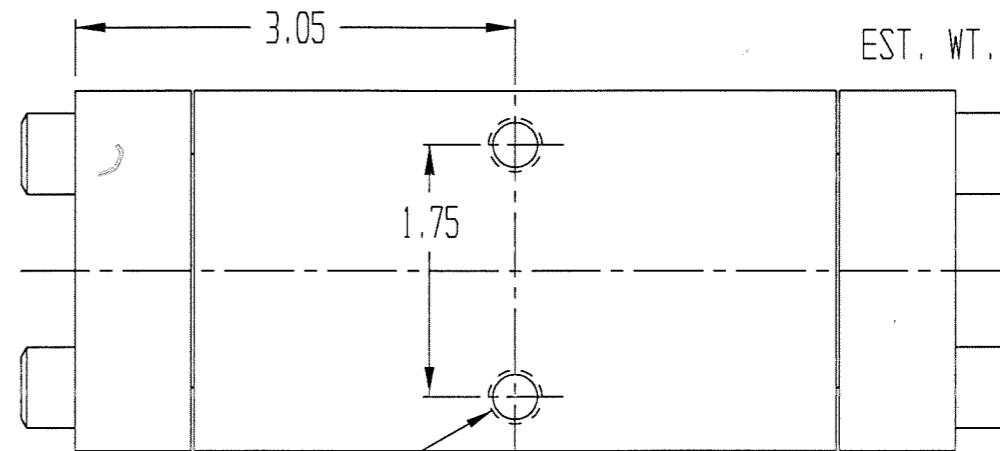
△ B

△ B

△ B

- CONTAINED IN REPAIR KIT - 25426 RK
- \* CONTAINED IN SEAL KIT - 25426 SK

MAX. INLET PRESSURE RATING - 3,000 PSI  
CONNECTIONS - 1/2" SAE TUBING



EST. WT. - 10 lbs

MOUNTING HOLES  
3/8 - 16 UNC x .50 DEEP

BOTTOM VIEW  
SCALE: 3/4

US PATENT No. 4253481

MATERIAL : 18-8 STAINLESS STEEL *					
TREATMENT	ROCKWELL "C"	TOLERANCES UNLESS OTHERWISE SPEC.			
		3 - PLACE DEC.	± .005		
		2 - PLACE DEC.	± .01		
ALL PIPE THREADS TO BE IN ACCORD - ANCE WITH AMERICAN STANDARD GAUGE UNLESS OTHERWISE SPECIFIED.		FRACTIONAL	±		
		ANGULAR	± 3°		

B	ECN NO. 1846	4/6/00	JOSE	142
NO.	REVISIONS	DATE	DR.	CK.

NAME OF PART SHUTTLE VALVE, 1/2" SAE CUSHIONED, LOW INTERFLOW	
GILMORE VALVE COMPANY HOUSTON, TEXAS	
DATE - 3/8/96	REFERENCE
SCALE - FULL	
DR. BY - RLR	DRAWING NO.
C'K'D BY - JOSE	25426
APP'D BY - TMB	