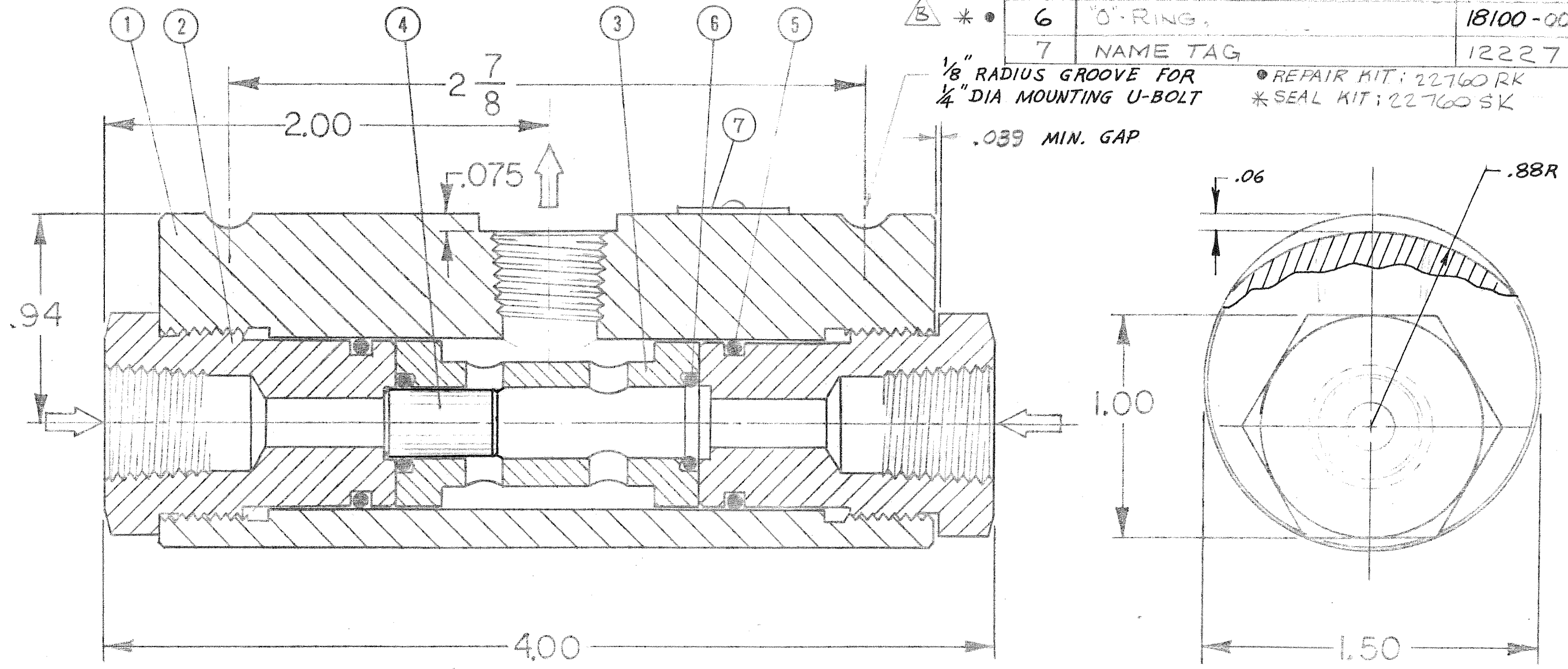


NOTE: ALL PORTS ARE 1/4" N.P.T.

ITEM	DESCRIPTION	PART No.	REQ'D
1	HOUSING	11802	1
2	END CAP	11799	2
3	CAGE	11800	1
4	SHUTTLE	22693	1
* 5	"O"-RING	18100-001B	2
* 6	"O"-RING	18100-005C	2
7	NAME TAG	12227	1



REPAIR KIT: 22760 RK
 * SEAL KIT: 22760 SK

NOTE
 1. ALL PORTS ARE 1/4" N.P.T.
 2. WORKING PRESSURE 5,000 P.S.I.
 3. C_v = 0.77
 4. LOW TEMPERATURE SERVICE: -20°F

B

WT 1.6 #

MATERIAL: 18-8 SS ITEMS 1+2	
TREATMENT	ROCKWELL "C"
TOLERANCES UNLESS OTHERWISE SPEC.	
3-PLACE DEC. ±	
2-PLACE DEC. ±	
FRACTIONAL ±	
ANGULAR ±	
ALL PIPE THREADS TO BE IN ACCORDANCE WITH AMERICAN STANDARD GAUGE UNLESS OTHERWISE SPECIFIED.	

NO.	REVISIONS	DATE	DR.	CK.
B	ECN 2538	12/9/02	Jose DMC	
A	WORKING PRESS. WAS 3,000 P.S.I.	3-23-92	Jose RLR	

NAME OF PART 1/4" INTERFLOW SHUTTLE VALVE	
GILMORE VALVE COMPANY HOUSTON, TEXAS	
DATE: 11-14-78	REFERENCE
SCALE: 2X	DRAWING NO.
DR. BY: ECS	22760
C'K'D BY:	
APP'D BY:	