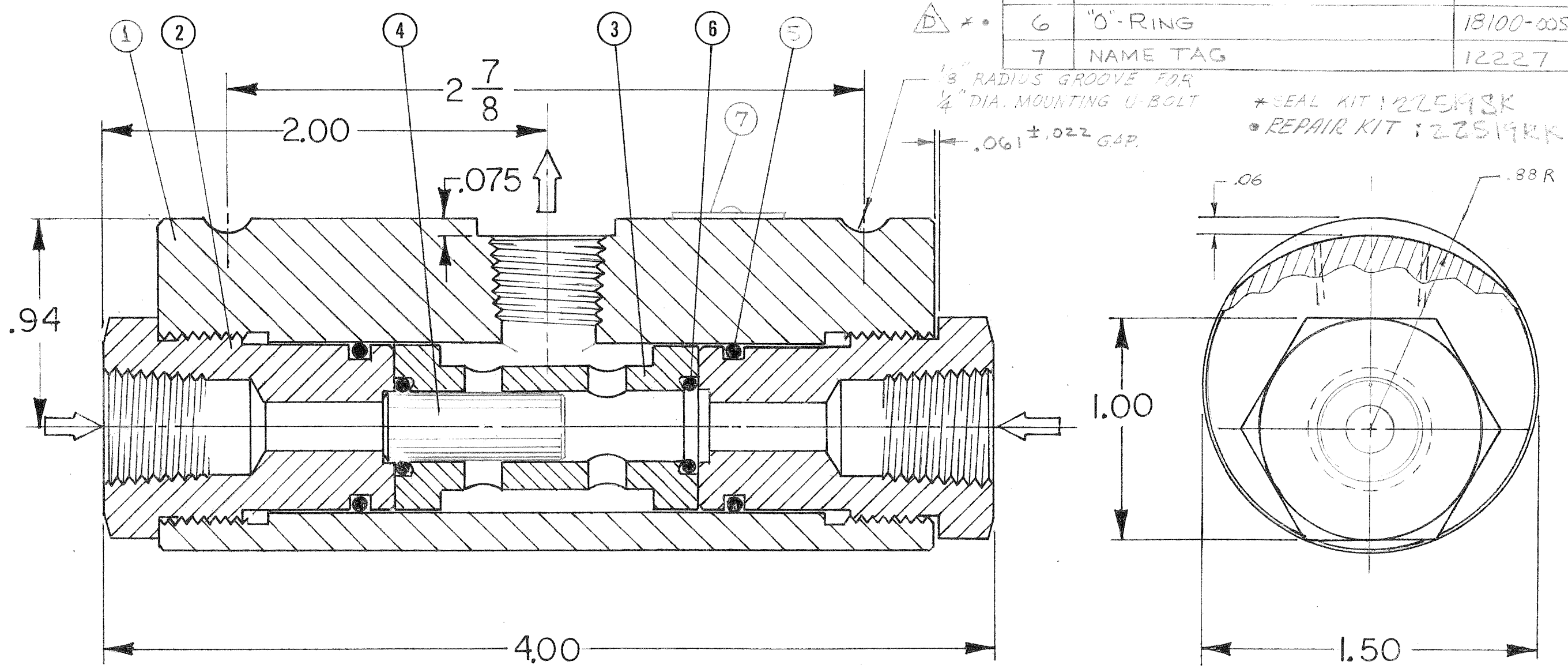


ITEM	DESCRIPTION	PART NO.	REQD.
1	HOUSING	11802	1
2	END CAP	11799	2
3	CAGE	11800	1
4	SHUTTLE	11801	1
5	"O"-RING	18100-001B	2
6	"O"-RING	18100-005C	2
7	NAME TAG	12227	1

NOTE: ALL PORTS ARE 1/4" N.P.T.



* SEAL KIT: 22519SK
 * REPAIR KIT: 22519RK

NOTE:
 1. ALL PORTS ARE 1/4" N.P.T.
 2. WORKING PRESSURE 5,000 PSI
 3. Cv = 0.77
 4. LOW TEMPERATURE SERVICE: -20°F

NON-INTERFLOW

WT. 1.6#

MATERIAL: 18-8 SS 1Tms 1+2	
TREATMENT	ROCKWELL "C"
TOLERANCES UNLESS OTHERWISE SPEC.	
3-PLACE DEC. ±	
2-PLACE DEC. ±	
FRACTIONAL ±	
ANGULAR ±	
ALL PIPE THREADS TO BE IN ACCORDANCE WITH AMERICAN STANDARD GAUGE UNLESS OTHERWISE SPECIFIED.	

NO.	REVISIONS	DATE	DR.	CK.
D	ECN 2538	12/9/02	Jose	PLW
C	WORKING PRESSURE WAS 3,000 PSI	5-17-91	Jose	RLI
B	.007/.044 → .061 ± .022	6-1-89	PLW	
A	ADDED NOTES	12-31-77	PLW	

NAME OF PART NON-INTERFLOW 1/4" SHUTTLE VALVE ASSEMBLY	
GILMORE VALVE COMPANY HOUSTON, TEXAS	
DATE: 11-1-75	REFERENCE
SCALE: X 2	
DR. BY: PLW	DRAWING NO.
C'K'D BY: EAS	22519
APP'D BY:	

