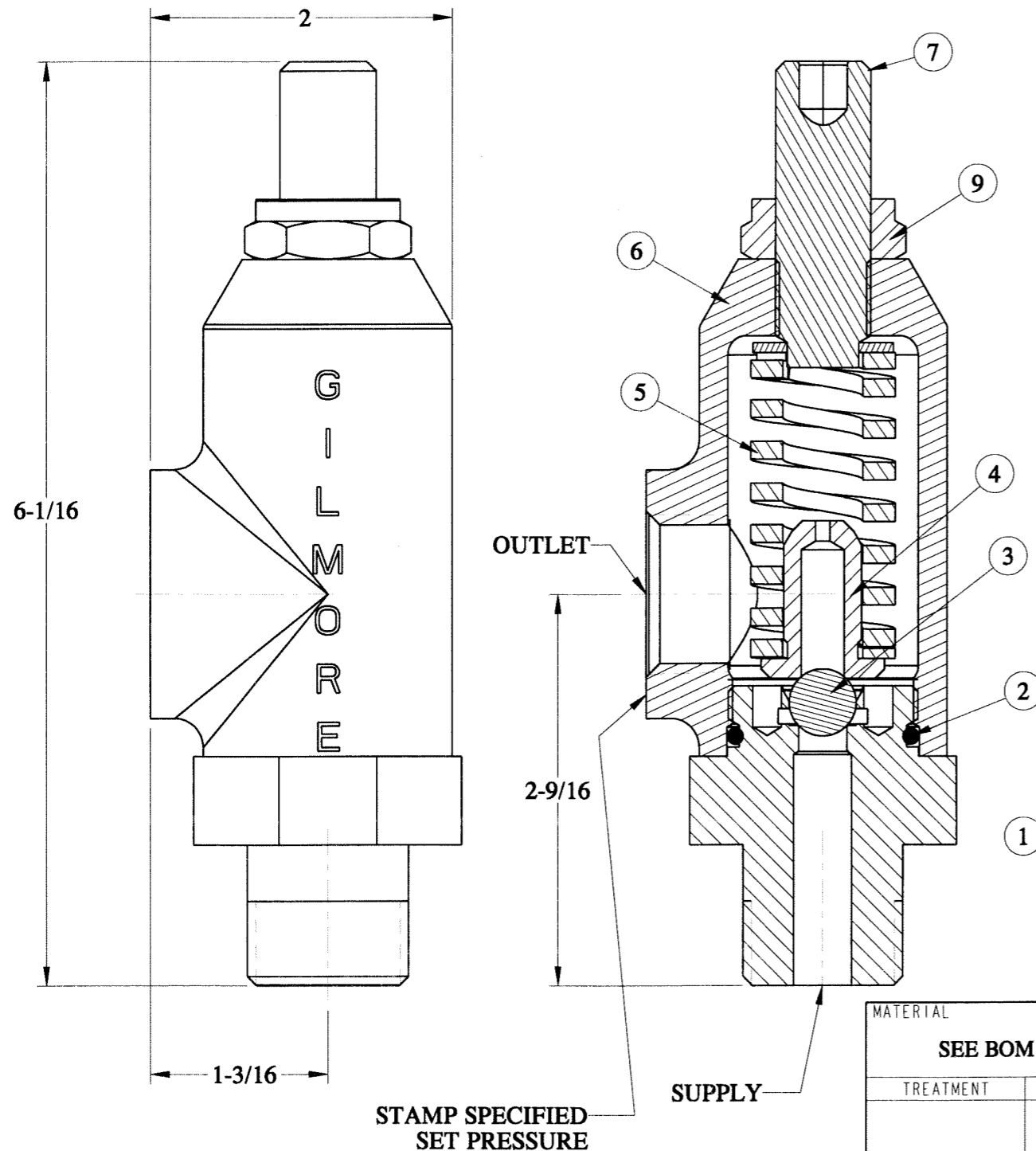
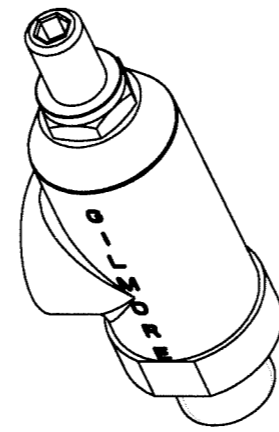


PART NO.	SET PRESSURE RANGE, PSI	COLOR	SPRING	MATERIAL
25320-1	100-500	SILVER	11821	CARBON STEEL
25320-2	450-2000	GREEN	11640	CARBON STEEL
25320-3	1800-3500	BLUE	11641	CARBON STEEL
25320-4	3500-5000	RED	11642	CARBON STEEL
25320-5	5000-7500	YELLOW	11008	CARBON STEEL

REV	ECN/ERN NO.	DRWN	CHKD	APPD
L	ECN 3037	BFM 1/31/06	Bfm 1/31/06	Bfm 1/31/06

ITEM NO	QTY	PART NO	DESCRIPTION	RK
1	1	23397	BODY	X
2	1	18100-057B	O-RING	X
3	1	18800-028	BALL	X
4	1	12554	SPRING DISC, MIDDLE	
5	1	SEE TABLE	SPRING	
6	1	23401-2	BONNET	
7	1	21095-002	SET SCREW (HALF DOG), 5/8-18 UNF x 2	
8	1	18850-004	WASHER	
9	1	21112-010	HEX LOCK NUT, NYLON, 5/8-18 UNF-2B	X



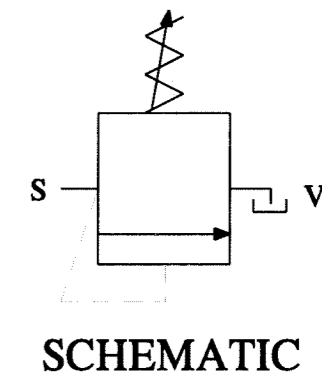
MAX WORKING PRESSURE
 SUPPLY - 7,500 PSI
 OUTLET - 300 PSI

PORTS
 SUPPLY, S - 3/4 NPT MALE
 OUTLET, V - 3/4 NPT FEMALE

FLOW DATA
 ORIFICE SIZE - 5/16
 Cv - 1.74
 FLUIDS - WATER, MINERAL OIL BASED
 HYDRAULIC FLUIDS

GENERAL DATA
 TEMP RANGE - 20° F TO 200° F
 APPROX WEIGHT - 2-3/8 LBS
 FIELD SERVICEABLE

MATERIALS
410 SS
416 SS
CHROME VANADIUM
CS
CS, ZINC PLT
DUCTILE IRON
NITRILE
TUNGSTEN CARBIDE



NOTES: 1. X, IN COLUMN RK, DEPICTS PARTS IN REPAIR KIT, 25320-X RK.

MATERIAL		UNLESS OTHERWISE SPECIFIED		DRWN BY	DATE	GILMORE VALVE CO. 1231 LUMPKIN RD. HOUSTON, TX 77043 HYDRAULIC RELIEF VALVE 3/4 NPT X 3/4 NPT	
SEE BOM ITEMS		TOLERANCES:		JOSE'	10/31/88		
TREATMENT	CONDITION	DECIMALS	FRACTIONS	ANGLES	DATE		
		X.X ±.1	±1/32	±.5			
PROC. NO.		DEBURR		CHKD BY	DATE	25320-X	
		BREAK SHARP EDGES .010		OD			
		INTERNAL RADIUS .015		APPD BY	DATE		
		FINISH 63/		ERN NO.	DATE		
THE INFORMATION CONTAINED IN THIS DRAWING IS THE SOLE PROPERTY OF GILMORE VALVE CO. UNLESS OTHERWISE STATED, ANY REPRODUCTION IN PART OR WHOLE WITHOUT THE WRITTEN PERMISSION OF GILMORE VALVE CO. IS PROHIBITED.		DIMENSIONS ARE IN INCHES		SCALE 1:1		DWG NO.	REV
		DO NOT SCALE DRAWING		PRO/ENGINEER		25320-X	L
		INTERPRET DIM. & TOL. PER ASME Y14.5M - 1994		SHEET 1 OF 1			