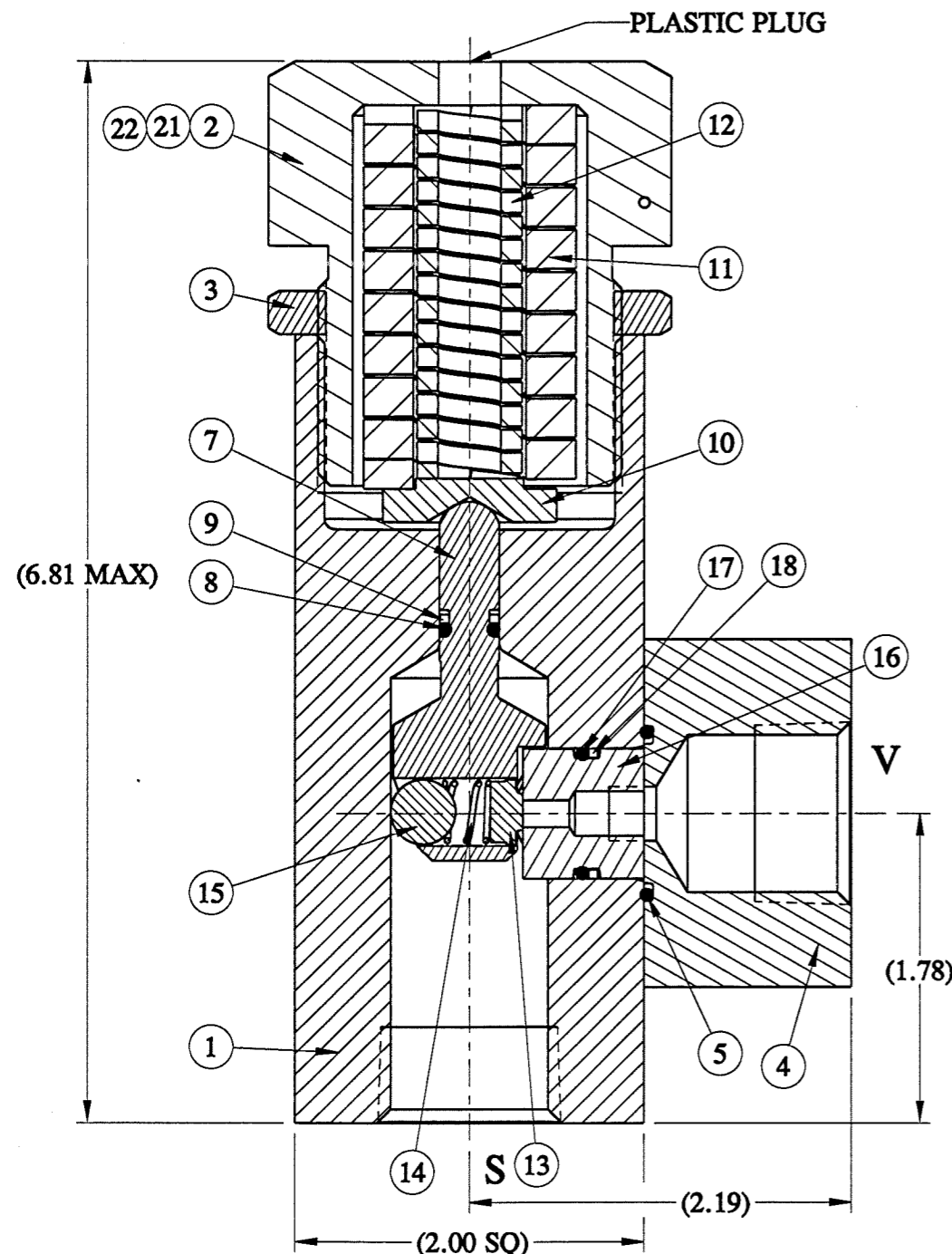
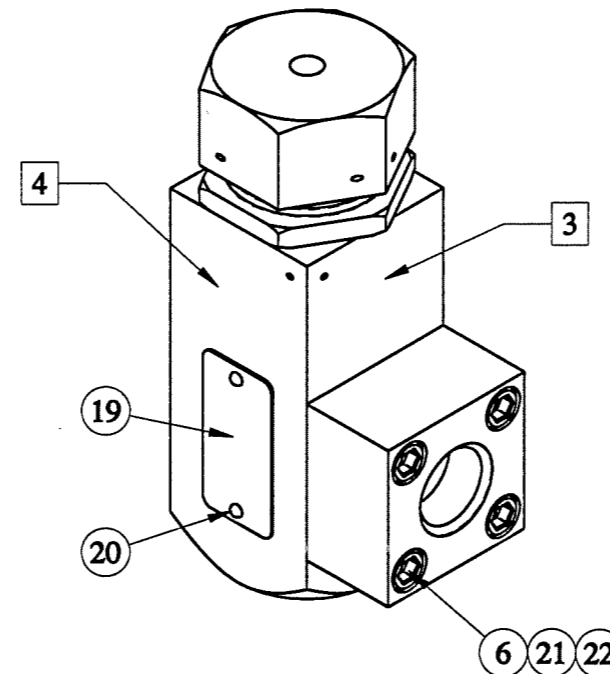


PART NO.	SET PRESSURE RANGE, PSI	SPRING #1	SPRING #2
25311-1	10750 TO 12500	12013	12014
25311-2	9500 TO 10750	12013	N
25311-3	4000 TO 9500	11951	N

REV	ECN/ERN NO.	DRWN	CHKD	APPD
K	ECN 2780	WRC 3/9/04	DGW 6/9/04	TBT 6/11/04

ITEM NO	QTY	PART NO	DESCRIPTION	RK	SK
1	1	23305	BODY		
2	1	12022	ADJUSTING CAP		
3	1	12023	HEX LOCK NUT, 1-3/4-12 UN		
4	1	12708	FLANGE		
5	1	18100-003C	O-RING	X	X
6	4	18220-401S	SHCS, 5/16-18 UNC x 1-1/4		
7	1	12413	SEAL CARRIER		
8	1	18100-050C	O-RING	X	X
9	1	12539	BACKUP RING	X	X
10	1	12024	SPRING DISK		
11	1	SEE TABLE	SPRING		
12	1	SEE TABLE	SPRING		
13	1	11993-3	SEAL DISK	X	
14	1	11986	SPRING		
15	1	18800-007	BALL		
16	1	12414	SEAL PLATE	X	
17	1	18100-001C	O-RING	X	X
18	1	18110-001T	BACKUP RING	X	X
19	1	12225	NAMEPLATE		
20	2	21082-002	DRIVE SCREW		
21	A/R	25822	ANTI SEIZE		
22	1	25822-1	ANTI SEIZE	X	X

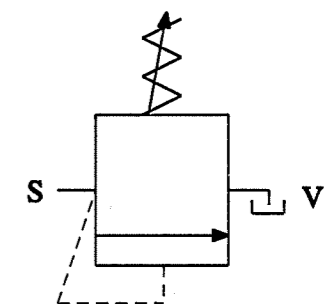


MATERIALS
18-8 SS
302 / 303 SS
302 SS
303 SS
316 SS
440C
CHROME VANADIUM
DELTRIN
NITRILE
TEFLON
YELLOW BRASS

PRESSURE DATA
SEE TABLE
VENT PRESSURE - 5,000 PSI MAX

PORTS
SUPPLY, S - 3/4 NPT
VENT, V - 3/4 NPT

GENERAL DATA
TEMP RANGE -20° F TO 250° F
APPROX WEIGHT - 7 LBS
FIELD SERVICEABLE



SCHEMATIC

- 4 TAG PER PRESSURE.
3 STAMP: SERIAL NO.
2. X, IN COLUMN SK, DEPICTS PARTS CONTAINED IN SEAL KIT (25311-X SK).
NOTES: 1. X, IN COLUMN RK, DEPICTS PARTS CONTAINED IN REPAIR KIT (25311-X RK).

MATERIAL SEE BOM ITEMS		UNLESS OTHERWISE SPECIFIED TOLERANCES: DECIMALS FRACTIONS ANGLES X.X ±.1 ±1/32 ±1.0 X.XX ±.01 X.XXX ±.005		DRWN BY JOSE'	DATE 6/12/86	GILMORE VALVE CO. 1231 LUMPKIN RD. HOUSTON, TX 77043	
TREATMENT	CONDITION	DEBURR BREAK SHARP EDGES .010 INTERNAL RADIUS .015 FINISH	CHCKD BY OD	APPD BY DW	ERN NO.		
PROC. NO.		DIMENSIONS ARE IN INCHES DO NOT SCALE DRAWING INTERPRET DIM. & TOL. PER ASME Y14.5M - 1994	SCALE 1:1		DWG NO. 25311-X	REV K	
THE INFORMATION CONTAINED IN THIS DRAWING IS THE SOLE PROPERTY OF GILMORE VALVE CO. UNLESS OTHERWISE STATED. ANY REPRODUCTION IN PART OR WHOLE WITHOUT THE WRITTEN PERMISSION OF GILMORE VALVE CO. IS PROHIBITED.		SCALE 1:1		PRO/ENGINEER		SHEET 1 OF 1 01	