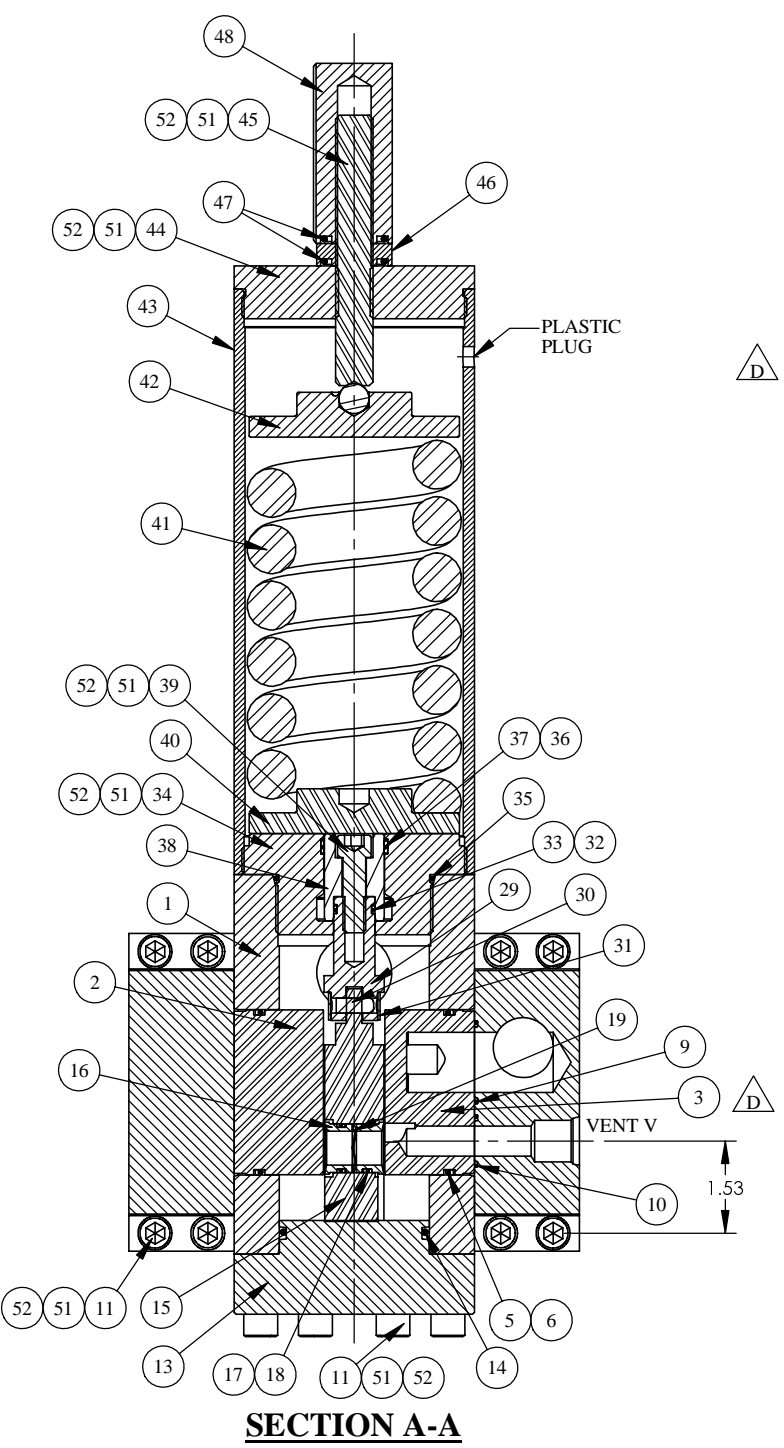
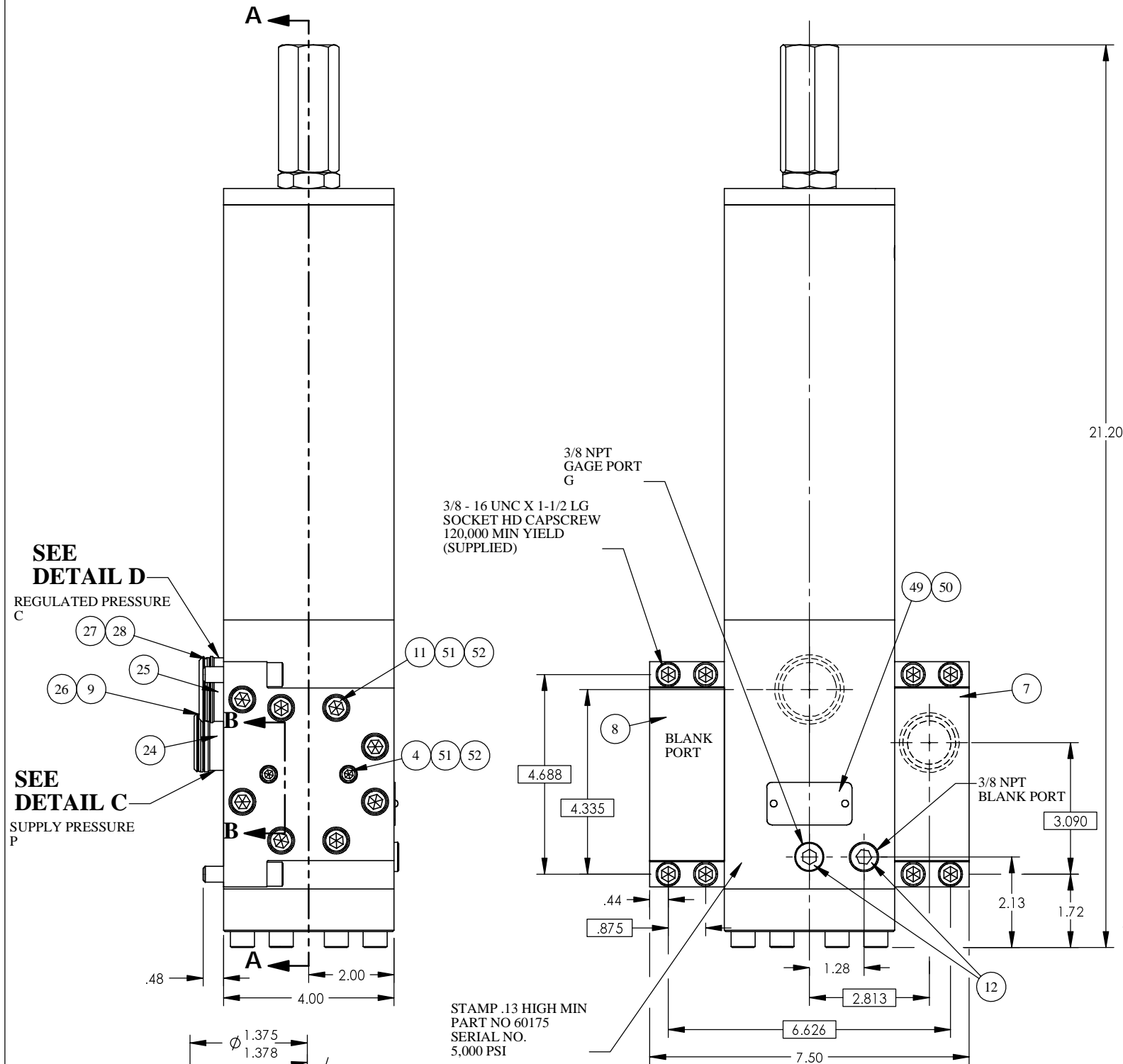
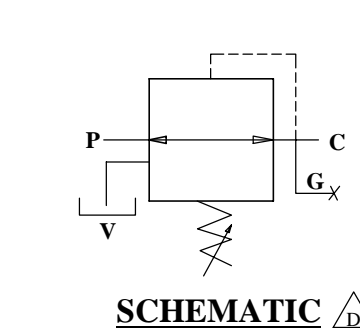
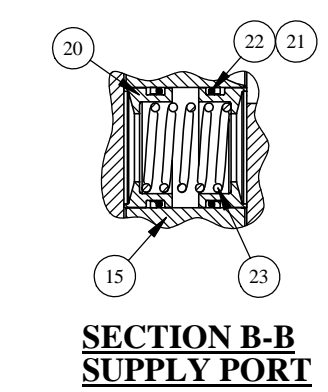
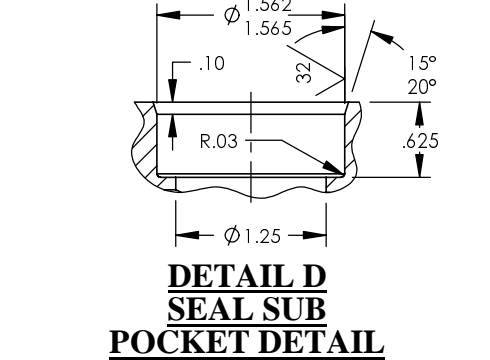
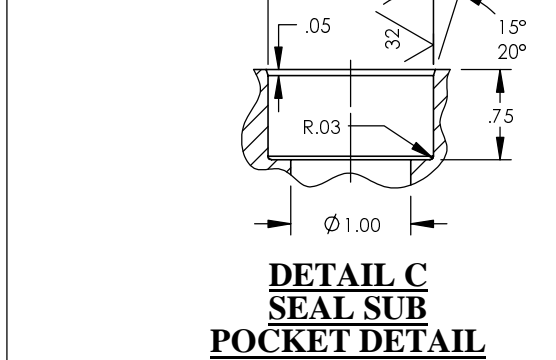


REV	ECN/ERN NO.	DRWN	CHKD	APPD
D	ECN 2035	WRC 1/10/01	HH 1/25/01	HH 1/25/01



ITEM NO.	QTY.	PART NO.	DESCRIPTION	RK	SK
1	1	33134	BODY		
2	1	13056	PLATE	X	
3	1	13057	FLOW PORT	X	
4	4	18220-118S	S.H.C.S., 1/4-20 UNC X 1-3/4	X	X
5	2	18100-051C	O-RING, 2-3/4 x 2-9/16 x 3/32	X	X
6	2	18110-130T	BACKUP RING, 2-3/4 x 2-9/16 x .056	X	X
7	1	23800	INLET FLANGE, RIGHT		
8	1	23820	FLANGE, LEFT		
9	3	18100-002B	O-RING, 1-3/8 x 1-1/4 x 1/16	X	X
10	1	18100-007B	O-RING, 7/8 x 3/4 x 1/16	X	X
11	32	18224-003	S.H.C.S., 3/8-16 UNC X 1-1/2		
12	2	18601-008	PIPE PLUG, HEX SOC, SS, 3/8" NPT		
13	1	12994	BOTTOM FLANGE		
14	1	18100-101B	O-RING, 2-1/2 x 2-1/4 x 1/8	X	X
15	1	22187	SEAL CONTAINER		
16	2	11512	SEAL RING	X	
17	2	18110-005T	BACKUP RING, 13/16 x 11/16 x .05	X	X
18	2	18100-009B	O-RING, 13/16 x 11/16 x 1/16	X	X
19	1	18701-001	WAVE SPRING	X	
20	4	11420	SEAL RING	X	
21	4	18110-002T	BACKUP RING, 1 x 7/8 x .05	X	X
22	4	18100-003B	O-RING, 1 x 7/8 x 1/16	X	X
23	2	11438	SPRING, COMPRESSION	X	
24	1	12528	SEAL SUB, 1"		
25	1	12966	SEAL SUB, 1-1/4"		
26	2	18110-026T	BACKUP RING, 1-3/8 x 1-1/4 x .05	X	X
27	2	18110-020T	BACKUP RING, 1-1/2 x 1-3/8 x .05	X	X
28	2	18100-038B	O-RING, 1-1/2 x 1-3/8 x 1/16	X	X
29	1	12983	PLUNGER STEM		
30	1	18500-009	DOWEL PIN, 1/4 X 5/8		
31	1	11808	RETAINER SLEEVE		
32	1	18110-013T	BACKUP RING, 11/16 x 9/16 x .05	X	X
33	1	18100-022B	O-RING, 11/16 x 9/16 x 1/16	X	X
34	1	12975	PLUNGER GUIDE		
35	1	18100-099B	O-RING, 2-11/16 x 2-1/2 x 3/32	X	X
36	2	13135	BACKUP RING, 1-1/8 x 1 x .079	X	X
37	1	18100-029B	O-RING, 1-1/8 x 1 x 1/16	X	X
38	1	12942	PISTON PLUNGER		
39	1	18224-002	S.H.C.S., 3/8-16 UNC X 1-1/4		
40	1	12970	SPRING PLATE		
41	1	12968	SPRING, COMPRESSION		
42	1	12973	SPRING GUIDE		
43	1	23796	SPRING HOUSING		
44	1	12971	PLUG		
45	1	11910	ADJUSTING SCREW		
46	1	11580	O' LOCK NUT		
47	2	18100-113B	O-RING, 1-1/8 x 7/8 x 1/8	X	X
48	1	11567	LOCK CAP		
49	1	12225	NAME TAG		
50	2	21082-002	SCREW, DRIVE		
51	A/R	25822	ANTI SEIZE		
52	4	25822-1	ANTI SEIZE	X	X



	FITTING	WORKING PRESSURE
SUPPLY P	SEAL SUB (1)	5,000 PSI
REGULATED C	SEAL SUB (1)	3,000 PSI
VENT V	1/2 SAE	AMBIENT
GAGE PORT G	3/8 NPT	3,000 PSI

MATERIAL:
A286
STAINLESS STEEL
BUNA-N
DELTRIN
TEFLON

CALCULATED Cv = 9.4 SUPPLY
Cv = 1.4 VENT

WEIGHT - 67 LBS

PATENT NO. 4,493,335

MATERIAL REFER TO INDIV BOM ITEMS	TOLERANCES: DECIMALS FRACTIONS ANGLE X ± .1 ± 1/32 ± 1° XX ± .01 ± 1/64 ± 1° XXX ± .005 ± 1/128 ± 1°	DRWN BY WRC	DATE 9/26/00	GILMORE VALVE CO. 1231 LUMPKIN RD. HOUSTON, TX. 77043 SEAL SUB MOUNTED HYDRAULIC PRESSURE REGULATOR
TREATMENT NA	CONDITION NA	CHKD BY RCH	DATE 10/12/00	
PROC. NO.		APPD BY RCH	DATE 10/12/00	
<small>THE INFORMATION CONTAINED IN THIS DRAWING IS THE SOLE PROPERTY OF GILMORE VALVE CO. UNLESS OTHERWISE STATED, ANY REPRODUCTION IN PART OR WHOLE WITHOUT THE WRITTEN PERMISSION OF GILMORE VALVE CO. IS PROHIBITED.</small>		ERN NO.	DATE	

UNLESS OTHERWISE SPECIFIED

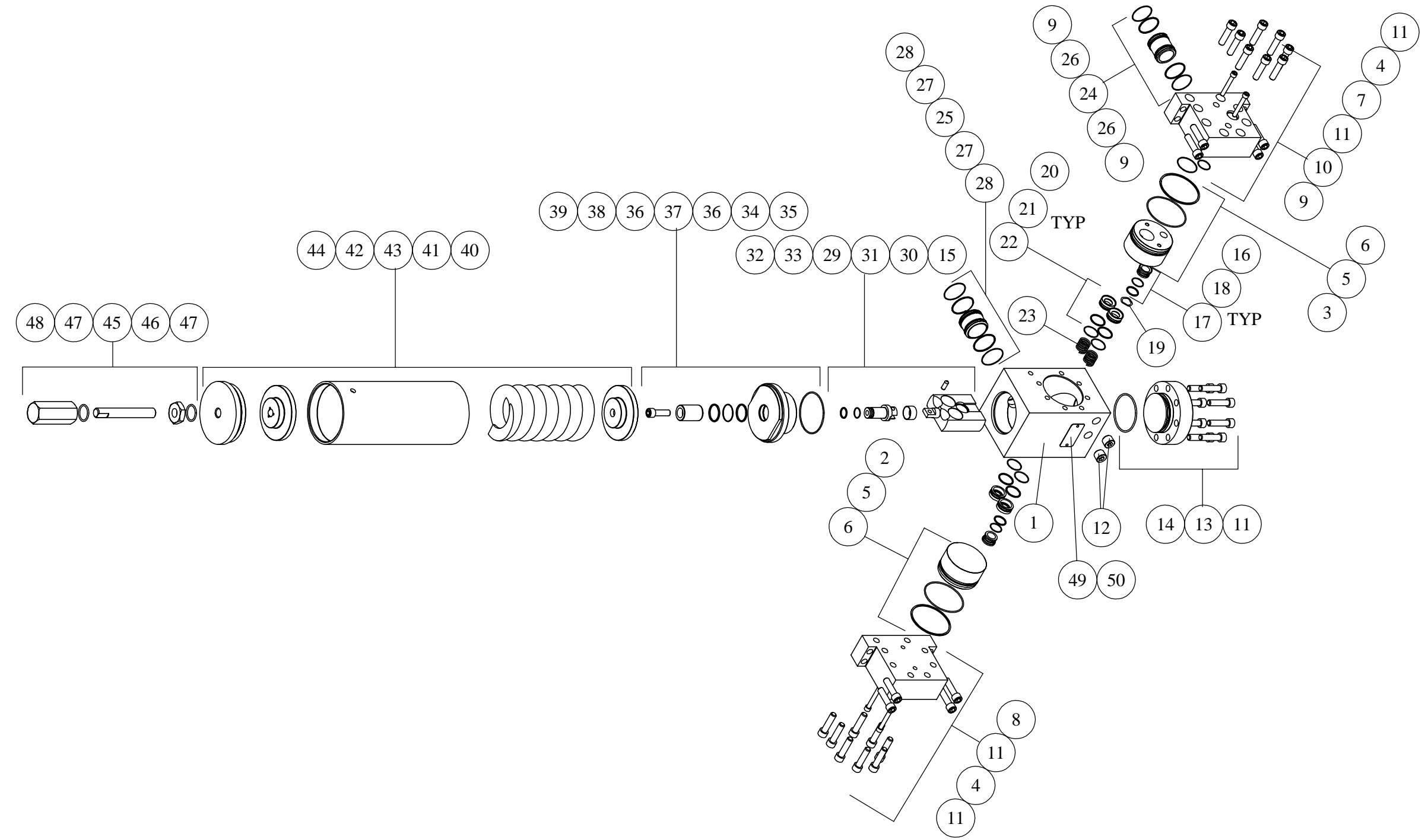
INTERPRET DIM. & TOL. PER ASME Y14.5M - 1994

SIZE C DWG NO. 60175 REV D

SCALE NTS SOLIDWORKS SHEET 1 OF 2

2. X DEPICTS PARTS IN REPAIR KIT 60175 RK AND SEAL KIT 60175 SK
NOTES: 1. LOCATE SEAL SUB POCKETS AND MOUNTING SCREW HOLES WITHIN .010 OF TRUE POSITION

REV	ECN/ERN NO.	DRWN	CHKD	APPD
D	ECN 2035	WRC 1/10/01	HH 1/25/01	HH 1/25/01



NOTE: 1. THIS EXPLODED ISOMETRIC VIEW ON SHEET 2 OF THE DRAWING IS A GRAPHICAL REPRESENTATION TO ASSIST IN INITIAL ASSEMBLY OR RE-WORK DISASSEMBLY & RE-ASSEMBLY. FINAL INSPECTION AND TEST SHOULD ALWAYS REFER TO SHEET 1 OF THIS DRAWING.

MATERIAL REFER TO INDIV BOM ITEMS		UNLESS OTHERWISE SPECIFIED TOLERANCES: DECIMALS FRACTIONS ANGLES .X ± .1 ± 1/32 ± 1° .XX ± .01 .XXX ± .005		DRWN BY WRC	DATE 9/26/00	GILMORE VALVE COMPANY 1231 LUMPKIN RD. HOUSTON, TX. 77043		
TREATMENT	CONDITION	DEBURR BREAK SHARP EDGES .010 FINISH 63/	CHKD BY RCH	DATE 10/12/00				
NA	NA	DIMENSIONS ARE IN INCHES DO NOT SCALE DRAWING INTERPRET DIM. & TOL. PER ASME Y14.5M - 1994	APPD BY RCH	DATE 10/12/00	SEAL SUB MOUNTED HYDRAULIC PRESSURE REGULATOR			
PROC. NO.			ERN NO.	DATE				
THE INFORMATION CONTAINED IN THIS DRAWING IS THE SOLE PROPERTY OF GILMORE VALVE CO. UNLESS OTHERWISE STATED. ANY REPRODUCTION IN PART OR WHOLE WITHOUT THE WRITTEN PERMISSION OF GILMORE VALVE CO. IS PROHIBITED.					SIZE B	DWG NO. 60175	REV D	
					SCALE NTS	SOLIDWORKS	SHEET 2 OF 2	