

REV	ECN/ERN NO.	DRWN	CHKD	APPD
B	ECN 3025	WRC 8/17/06	3/28/30/06	3/28/30/06

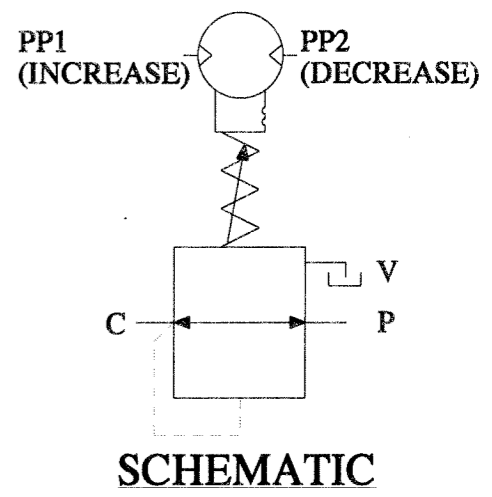
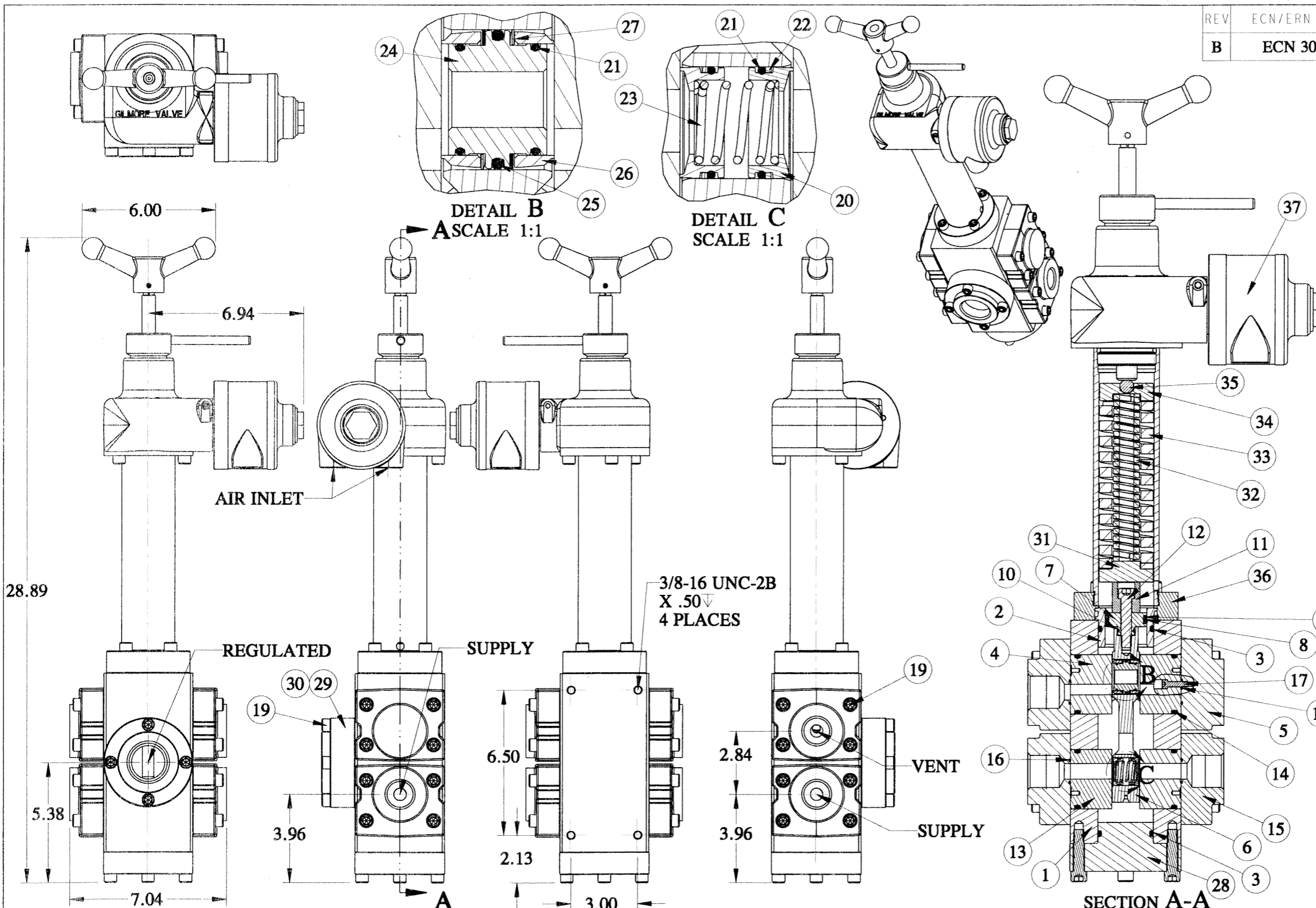
MAX WORKING PRESSURE
 SUPPLY - 3,000 PSI
 REGULATED - 1,500 PSI
 VENT - 3,000 PSI
 AIR INLET - 100 PSI

PORTS
 SUPPLY, P - 1 NPT
 REGULATED, C - 1-1/2 NPT
 VENT, V - 1 NPT
 AIR INLET, PP1, PP2 - 1/4 NPT



FLOW DATA
 FLUIDS - WATER, MINERAL OIL BASED
 HYDRAULIC FLUIDS
 Cv, SUPPLY TO REGULATED - 7.5 FOR ONE INLET
 15.1 FOR TWO INLETS
 Cv, REGULATED TO VENT - 2.6

GENERAL DATA
 TEMP RANGE - 20° F TO 200° F
 APPROX WEIGHT - 90 LBS
 FIELD SERVICEABLE

MATERIALS
 STAINLESS STEEL: BODY, PLUNGER GUIDE,
 ALL SEALING SURFACES
 CARBON STEEL: FLANGES

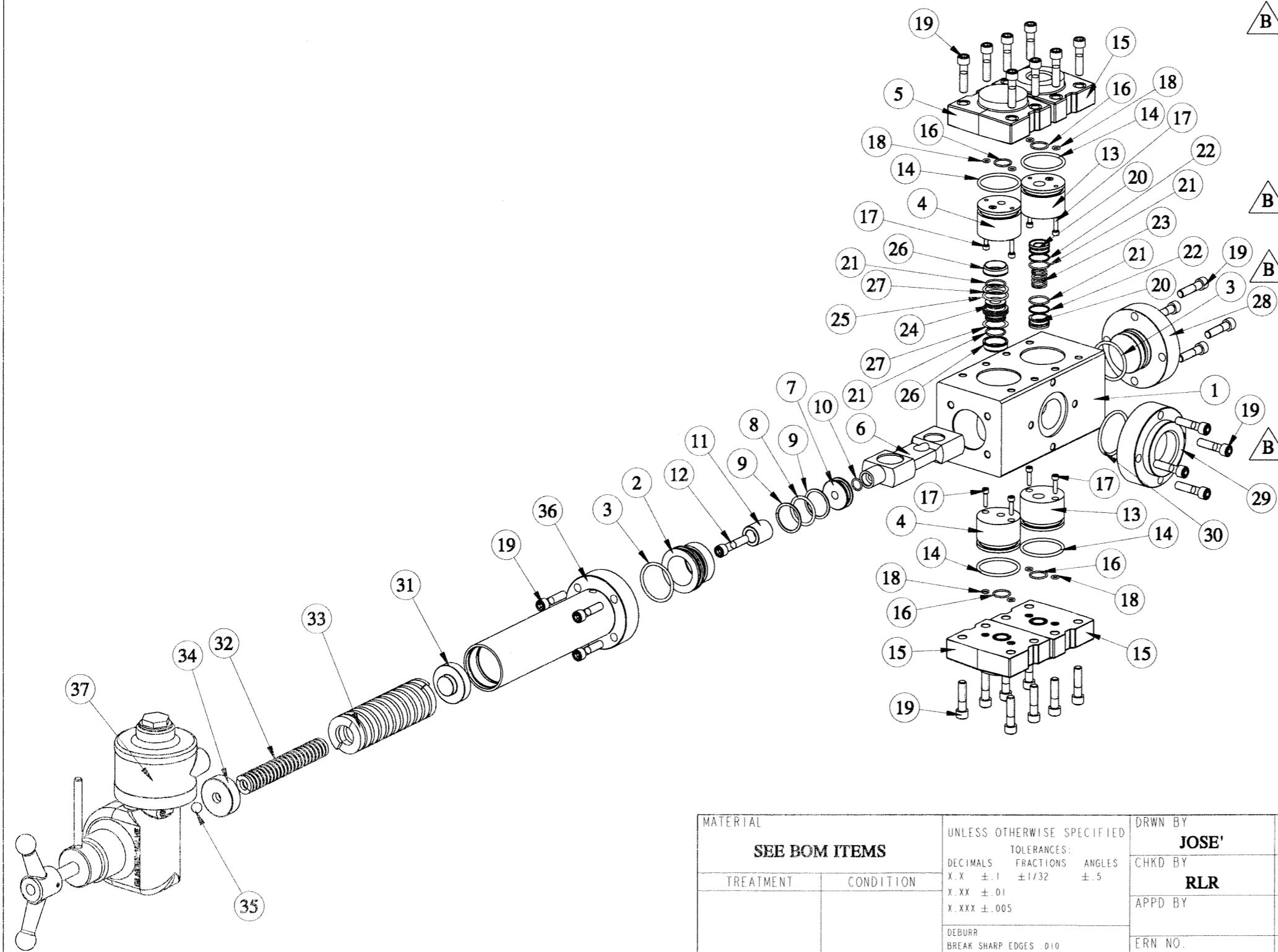


NOTES: 1. X, IN COLUMN RK, DEPICTS PARTS IN REPAIR KIT, 60033-99 RK.
 2. X, IN COLUMN SK, DEPICTS PARTS IN SEAL KIT, 60033-99 SK.
 3. REGULATOR SHOULD BE PAINTED WHEN PLACED INTO SERVICE.

MATERIAL		UNLESS OTHERWISE SPECIFIED		DRWN BY	DATE	GILMORE VALVE CO. 1231 LUMPKIN RD. HOUSTON, TX 77043			
SEE BOM ITEMS		TOLERANCES:		JOSE'	2/5/91				
TREATMENT	CONDITION	DECIMALS	FRACTIONS	ANGLES	DATE	VALVE, REGULATOR HYDRAULIC PRESSURE 1-1/2 NPT			
		X.X ±.1	±1/32	±.5	CHKD BY				
		X.XX ±.01			RLR	DATE	DWG NO. 60033-99		
		X.XXX ±.005			APPD BY	DATE			
PROC. NO.		DEBURR BREAK SHARP EDGES .010 INTERNAL RADIUS .015 FINISH 63/			ERN NO.	DATE	SIZE	DWG NO.	REV
THE INFORMATION CONTAINED IN THIS DRAWING IS THE SOLE PROPERTY OF GILMORE VALVE CO. UNLESS OTHERWISE STATED, ANY REPRODUCTION IN PART OR WHOLE WITHOUT THE WRITTEN PERMISSION OF GILMORE VALVE CO. IS PROHIBITED.		DIMENSIONS ARE IN INCHES DO NOT SCALE DRAWING INTERPRET DIM & TOL. PER ASME Y14.5M - 1994			 		B	60033-99	B
						SCALE	1:5	PRO/ENGINEER	SHEET 1 OF 2

REV	ECN/ERN NO.	DRWN	CHKD	APPD
B	ECN 3025	WRC 8/17/06	5/28/30/06	5/28/30/06

ITEM NO	QTY	PART NO	DESCRIPTION	RK	SK
1	1	44331	BODY		
2	1	22756	GUIDE, PLUNGER		
3	2	18100-105B	O-RING	X	X
4	2	22743	VENT FLOW PLATE	X	
5	1	27771-1	FLANGE, BLIND		
6	1	22755	SEAL CONTAINER		
7	1	11970	PISTON		
8	1	18100-108B	O-RING	X	X
9	2	18110-218T	BACKUP RING	X	X
10	1	18100-006B	O-RING	X	X
11	1	12709	SPACER		
12	1	18220-021S	SHCS, 3/8-16 UNC x 1-3/4		
13	2	22742	SUPPLY FLOW PLATE	X	
14	4	18100-117B	O-RING	X	X
15	3	27771-2	FLANGE, 1 NPT		
16	4	18100-007B	O-RING	X	X
17	8	18221-004G	SHCS, #10-24 UNC x 3/4	X	
18	8	18100-008B	O-RING	X	X
19	28	18220-002Z	SHCS, 3/8-16 UNC x 1-1/2		
20	2	11420	SEAL RING	X	
21	4	18100-003B	O-RING	X	X
22	2	18110-002T	BACKUP RING	X	X
23	1	11438	SPRING	X	
24	1	11708	SEAL CAGE	X	
25	1	18100-057C	O-RING	X	X
26	2	11709	DUMP SEAL	X	
27	2	18720-002	SPRING WASHER	X	
28	1	22747-1	FLANGE, BOTTOM		
29	1	22745-2	FLANGE, 1-1/2 NPT		
30	1	18100-102B	O-RING	X	X
31	1	11442	SPRING GUIDE		
32	1	11604	SPRING		
33	1	11605-2	SPRING		
34	1	12519	SPRING GUIDE		
35	1	18800-001	BALL		
36	1	22149	ADJUSTMENT HEAD ASSY		
37	1	33071	VALVE ACTUATOR		



MATERIAL		UNLESS OTHERWISE SPECIFIED		DRWN BY		DATE		GILMORE VALVE CO. 1231 LUMPKIN RD. HOUSTON, TX 77043 VALVE, REGULATOR HYDRAULIC PRESSURE 1-1/2 NPT			
SEE BOM ITEMS		TOLERANCES:		JOSE'		2/5/91					
TREATMENT		DECIMALS FRACTIONS ANGLES		CHKD BY		DATE					
CONDITION		X.X ±.1 ±1/32 ±.5		RLR		DATE					
PROC. NO.		X.XX ±.01		APPD BY		DATE		60033-99 DWG NO.			
		X.XXX ±.005		ERN NO.		DATE					
THE INFORMATION CONTAINED IN THIS DRAWING IS THE SOLE PROPERTY OF GILMORE VALVE CO. UNLESS OTHERWISE STATED, ANY REPRODUCTION IN PART OR WHOLE WITHOUT THE WRITTEN PERMISSION OF GILMORE VALVE CO. IS PROHIBITED.		DEBURR BREAK SHARP EDGES Ø10 INTERNAL RADIUS .015 FINISH 63/		DIMENSIONS ARE IN INCHES DO NOT SCALE DRAWING INTERPRET DIM. & TOL. PER ASME Y14.5M - 1994				SIZE B		REV B	