

REV	ECN/ERN NO.	DRWN	CHKD	APPD
K	ECN 3025	WRC 8/17/06	JCS/30/06	JCS/30/06

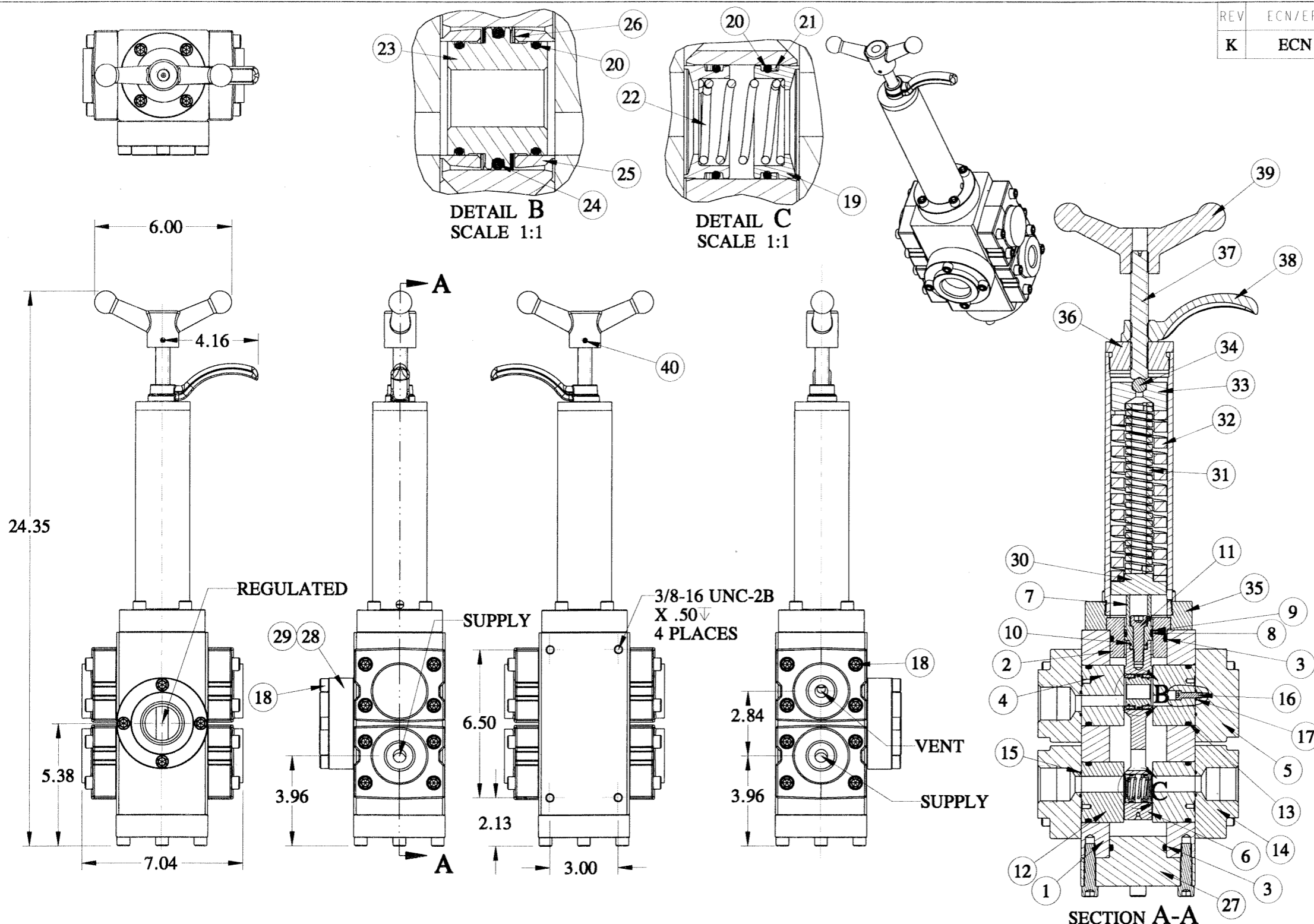
MAX WORKING PRESSURE  
 SUPPLY - 3,000 PSI  
 REGULATED - 3,000 PSI  
 VENT - 3,000 PSI

PORTS  
 SUPPLY, P - 1 NPT  
 REGULATED, C - 1-1/2 NPT  
 VENT, V - 1 NPT

FLOW DATA  
 FLUIDS - WATER, MINERAL OIL BASED  
 HYDRAULIC FLUIDS  
 Cv, SUPPLY TO REGULATED - 7.5 FOR ONE INLET  
 15.1 FOR TWO INLETS  
 Cv, REGULATED TO VENT - 2.6

GENERAL DATA  
 TEMP RANGE - 20° F TO 200° F  
 APPROX WEIGHT - 69 LBS  
 FIELD SERVICEABLE

MATERIALS  
 STAINLESS STEEL: BODY, PLUNGER GUIDE,  
 ALL SEALING SURFACES  
 CARBON STEEL: FLANGES

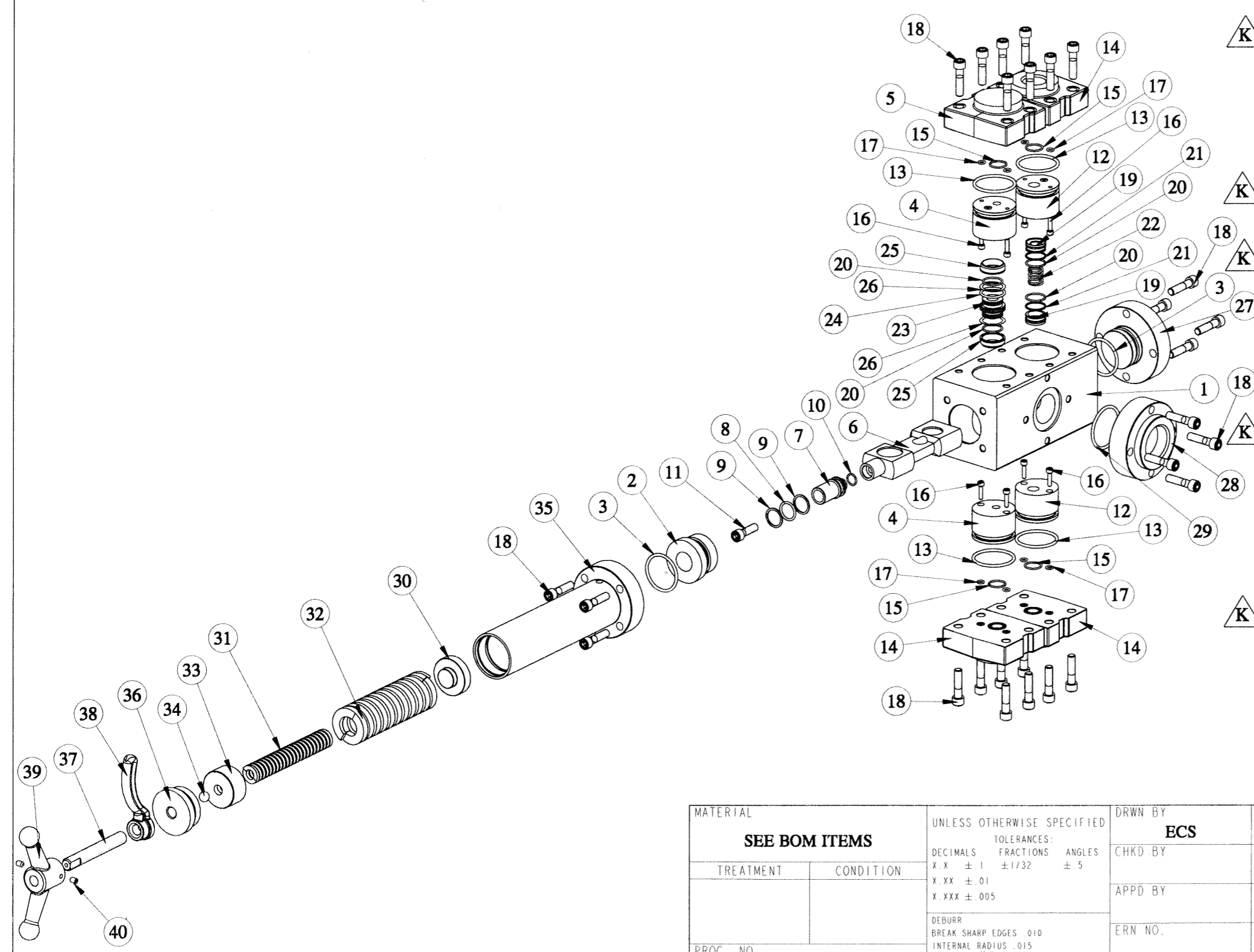


NOTES: 1. X, IN COLUMN RK, DEPICTS PARTS IN REPAIR KIT, 60031 RK.  
 2. X, IN COLUMN SK, DEPICTS PARTS IN SEAL KIT, 60031 SK.  
 3. REGULATOR SHOULD BE PAINTED WHEN PLACED INTO SERVICE.

MATERIAL		UNLESS OTHERWISE SPECIFIED		DRWN BY		DATE		GILMORE VALVE CO. 1231 LUMPKIN RD. HOUSTON, TX 77043	
SEE BOM ITEMS		TOLERANCES:		ECS		12/7/78			
TREATMENT	CONDITION	DECIMALS	FRACTIONS	ANGLES	CHKD BY	DATE		VALVE, REGULATOR HYDRAULIC PRESSURE 1-1/2 NPT	
		X.X ±.1	±1/32	±.5	APPD BY	DATE			
PROC. NO.		DEBURR		ERN NO.		DATE		SIZE	
THE INFORMATION CONTAINED IN THIS DRAWING IS THE SOLE PROPERTY OF GILMORE VALVE CO. UNLESS OTHERWISE STATED, ANY REPRODUCTION IN PART OR WHOLE WITHOUT THE WRITTEN PERMISSION OF GILMORE VALVE CO. IS PROHIBITED.		BREAK SHARP EDGES .010		DIMENSIONS ARE IN INCHES		DO NOT SCALE DRAWING		B	
		INTERNAL RADIUS .015		INTERPRET DIM. & TOL. PER ASME Y14.5M - 1994		SCALE		1:5	
		FINISH 63/				PRO/ENGINEER		DWG NO. 60031	
						SHEET 1 OF 2		REV K	

REV	ECN/ERN NO.	DRWN	CHKD	APPD
K	ECN 3025	WRC 8/17/06	08/30/06	08/30/06

ITEM NO	QTY	PART NO	DESCRIPTION	RK	SK
1	1	44331	BODY		
2	1	22741	GUIDE, PLUNGER		
3	2	18100-105B	O-RING	X	X
4	2	22743	VENT FLOW PLATE	X	
5	1	27771-1	FLANGE, BLIND		
6	1	22755	SEAL CONTAINER		
7	1	22757	PISTON		
8	1	18100-074B	O-RING	X	X
9	2	18110-115T	BACKUP RING	X	X
10	1	18100-006B	O-RING	X	X
11	1	18221-003G	SHCS, 3/8-16 UNC x 1-1/4		
12	2	22742	SUPPLY FLOW PLATE	X	
13	4	18100-117B	O-RING	X	X
14	3	27771-2	FLANGE, 1 NPT		
15	4	18100-007B	O-RING	X	X
16	8	18221-004G	SHCS, #10-24 UNC x 3/4	X	
17	8	18100-008B	O-RING	X	X
18	28	18220-002Z	SHCS, 3/8-16 UNC x 1-1/2		
19	2	11420	SEAL RING	X	
20	4	18100-003B	O-RING	X	X
21	2	18110-002T	BACKUP RING	X	X
22	1	11438	SPRING	X	
23	1	11708	SEAL CAGE	X	
24	1	18100-057C	O-RING	X	X
25	2	11709	DUMP SEAL	X	
26	2	18720-002	SPRING WASHER	X	
27	1	22747-1	FLANGE, BOTTOM		
28	1	22745-2	FLANGE, 1-1/2 NPT		
29	1	18100-102B	O-RING	X	X
30	1	11442	SPRING GUIDE		
31	1	11604	SPRING		
32	1	11605-2	SPRING		
33	1	11448	SPRING GUIDE		
34	1	18800-001	BALL		
35	1	22149	ADJUSTMENT HEAD ASSY		
36	1	11446	PLUG		
37	1	11052	ADJUSTING SCREW		
38	1	11223-1	LOCK HANDLE		
39	1	22150-1	BALL HANDLE		
40	2	18240-003	SET SCREW (CUP), 1/4-20 UNC x 3/8		



MATERIAL		UNLESS OTHERWISE SPECIFIED		DRWN BY	DATE	<b>GILMORE VALVE CO.</b> 1231 LUMPKIN RD. HOUSTON, TX 77043  <b>VALVE, REGULATOR</b> <b>HYDRAULIC PRESSURE</b> <b>1-1/2 NPT</b>					
SEE BOM ITEMS		TOLERANCES:		ECS	12/7/78				SIZE	DWG NO.	REV
TREATMENT	CONDITION	DECIMALS	FRACTIONS	ANGLES	DATE				B	60031	K
		X.X ±.1	±1/32	±.5	APPD BY				SCALE	1:5	PRO/ENGINEER
PROC. NO.		DEBURR		ERN NO.	DATE	SHEET 2 OF 2					
		BREAK SHARP EDGES .010									
		INTERNAL RADIUS .015									
		FINISH									
		DIMENSIONS ARE IN INCHES									
		DO NOT SCALE DRAWING									
		INTERPRET DIM. & TOL. PER									
		ASME Y14.5M - 1994									