

REV	ECN/ERN NO.	DRWN	CHKD	APPD
B	ECN 3061	LB 03/28/06	Bfm 5/5/06	Bfm 5/5/06

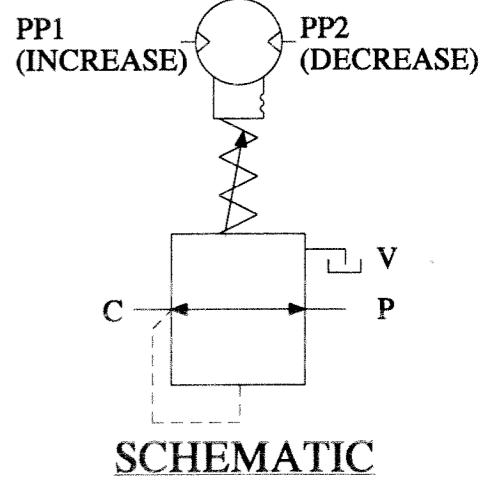
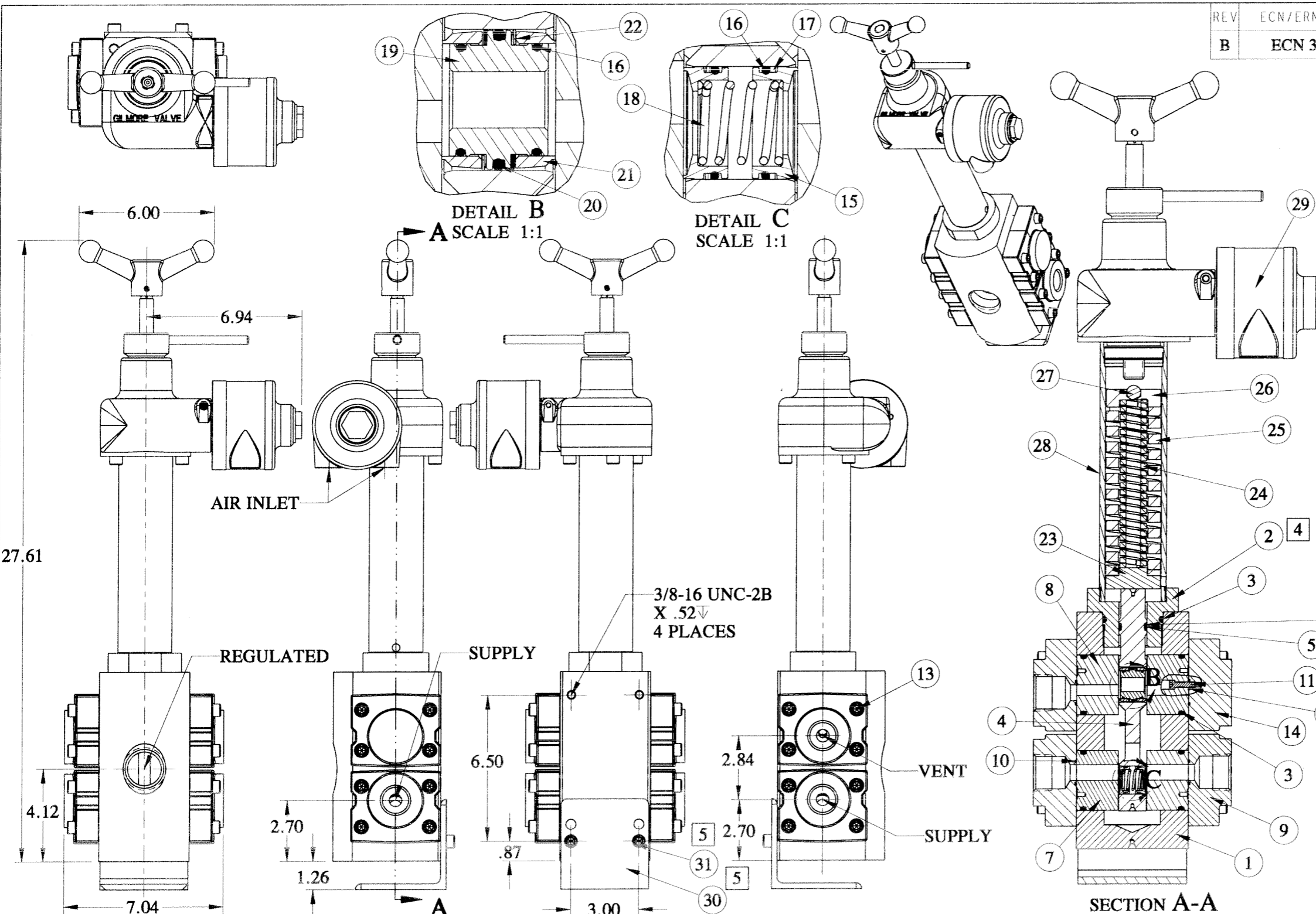
MAX WORKING PRESSURE
 SUPPLY - 3,000 PSI
 REGULATED - 3,000 PSI
 VENT - 3,000 PSI
 AIR INLET - 100 PSI

PORTS
 SUPPLY, P - 1 NPT
 REGULATED, C - 1-1/2 NPT
 VENT, V - 1 NPT
 AIR INLET, PP1, PP2 - 1/4 NPT

FLOW DATA
 FLUIDS - WATER, MINERAL OIL BASED
 HYDRAULIC FLUIDS
 Cv, SUPPLY TO REGULATED - 7.5 FOR ONE INLET
 15.1 FOR TWO INLETS
 Cv, REGULATED TO VENT - 2.6

GENERAL DATA
 TEMP RANGE - 20° F TO 200° F
 APPROX WEIGHT - 91 LBS
 FIELD SERVICEABLE

MATERIALS
 STAINLESS STEEL: BODY, PLUNGER GUIDE,
 ALL SEALING SURFACES
 CARBON STEEL: FLANGES

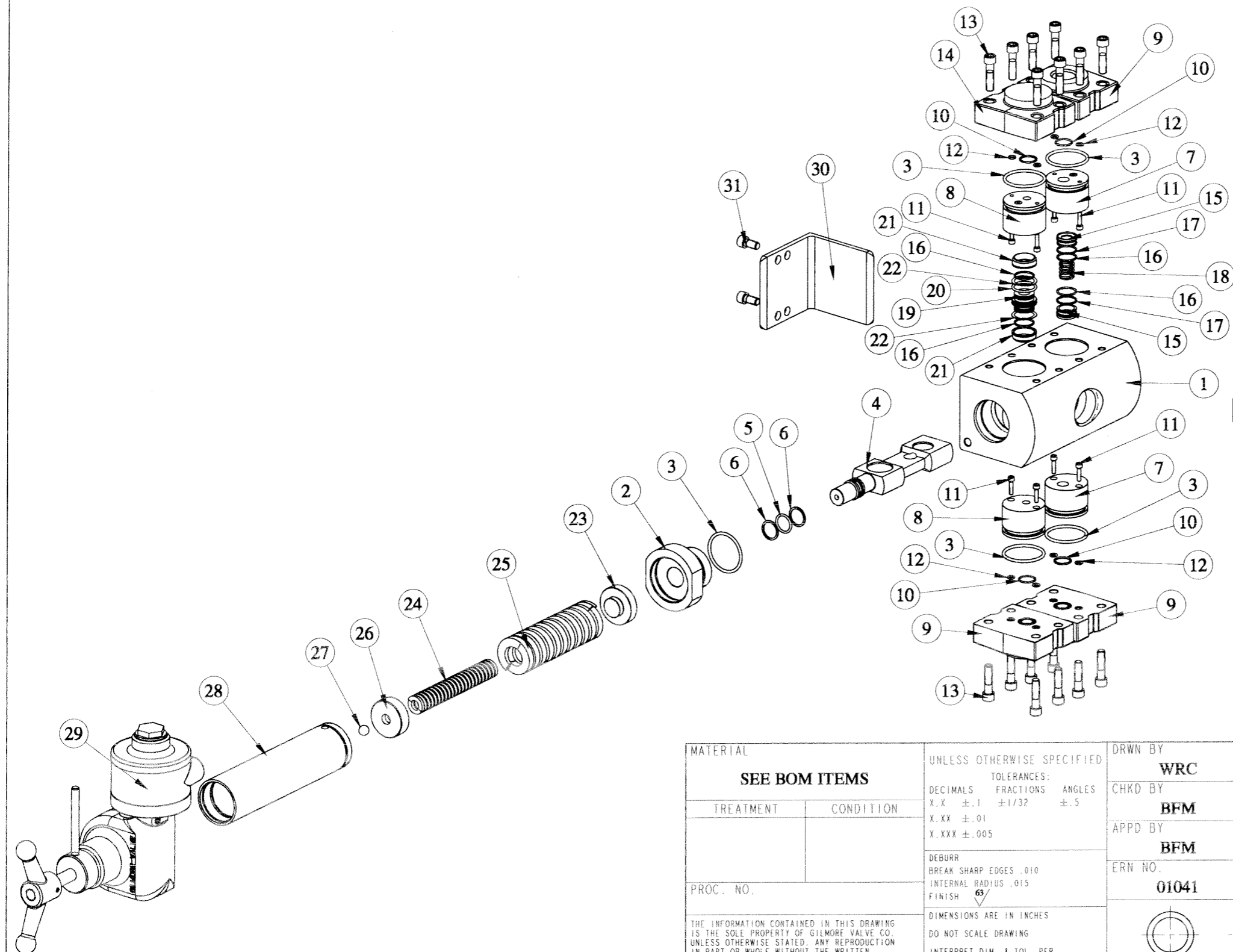


- NOTES:**
1. X, IN COLUMN RK, DEPICTS PARTS IN REPAIR KIT, 60031-W30 RK
 2. X, IN COLUMN SK, DEPICTS PARTS IN SEAL KIT, 60031-W30 SK.
 3. REGULATOR SHOULD BE PAINTED WHEN PLACED INTO SERVICE.
 4. TIGHTEN ITEM 2 TO 250 LB-FT.
 5. SPACER BRACKET IS USED TO MAINTAIN THE SAME RELATIONSHIP BETWEEN THE BOTTOM SURFACE OF THE REGULATOR, VENT, SUPPLY AND REGULATED PORTS AS OTHER 60031 SERIES REGULATORS. IT MAY BE DISCARDED IF NOT REQUIRED.

MATERIAL		UNLESS OTHERWISE SPECIFIED		DRWN BY	DATE	GILMORE VALVE CO. 1231 LUMPKIN RD. HOUSTON, TX 77043	
SEE BOM ITEMS		TOLERANCES:		WRC	9/30/05		
TREATMENT	CONDITION	DECIMALS	FRACTIONS	ANGLES	DATE	VALVE, REGULATOR HYDRAULIC PRESSURE 1-1/2 NPT	
		X.X ±.1	±1/32	±.5	10/3/05		
		X.XX ±.01			DATE	DWG NO. 60031-W30	
		X.XXX ±.005			10/3/05		
PROC. NO.		DEBURR BREAK SHARP EDGES .010 INTERNAL RADIUS .015 FINISH 63		APPD BY	DATE	SCALE 1:5	
		DIMENSIONS ARE IN INCHES		Bfm	9/29/05		
THE INFORMATION CONTAINED IN THIS DRAWING IS THE SOLE PROPERTY OF GILMORE VALVE CO. UNLESS OTHERWISE STATED, ANY REPRODUCTION IN PART OR WHOLE WITHOUT THE WRITTEN PERMISSION OF GILMORE VALVE CO. IS PROHIBITED.		DO NOT SCALE DRAWING INTERPRET DIM. & TOL. PER ASME Y14.5M - 1994		ERN NO.		PRO/ENGINEER	SHEET 1 OF 2
				01041			REV B

REV	ECN/ERN NO.	DRWN	CHKD	APPD
B	ECN 3061	LB 03/28/06	Bfm s/s/06	Bfm s/s/06

ITEM NO	QTY	PART NO	DESCRIPTION	RK	SK
1	1	27781	BODY		
2	1	27780	PLUNGER GUIDE		
3	5	18100-117B	O-RING	X	X
4	1	27782	SEAL CONTAINER		
5	1	18100-074B	O-RING	X	X
6	2	18110-115T	BACKUP RING	X	X
7	2	22742	SUPPLY FLOW PLATE	X	
8	2	22743	VENT FLOW PLATE	X	
9	3	27771-2	FLANGE, 1 NPT		
10	4	18100-007B	O-RING	X	X
11	8	18221-004G	SHCS, #10-24 UNC x 3/4		
12	8	18100-008B	O-RING	X	X
13	16	18220-002Z	SHCS, 3/8-16 UNC x 1-1/2		
14	1	27771-1	FLANGE, BLIND		
15	2	11420	SEAL RING	X	
16	4	18100-003B	O-RING	X	X
17	2	18110-002T	BACKUP RING	X	X
18	1	11438	SPRING	X	
19	1	11708	SEAL CAGE	X	
20	1	18100-057C	O-RING	X	X
21	2	11709	DUMP SEAL	X	
22	2	18720-002	SPRING WASHER	X	
23	1	11442	SPRING GUIDE		
24	1	11604	SPRING		
25	1	11605-2	SPRING		
26	1	12519	SPRING GUIDE		
27	1	18800-001	BALL		
28	1	22144	SPRING TUBE		
29	1	33071	VALVE ACTUATOR		
30	1	27794-01	SPACER BRACKET		
31	2	18220-020Z	SHCS, 3/8-16 UNC x 3/4		



MATERIAL SEE BOM ITEMS		UNLESS OTHERWISE SPECIFIED TOLERANCES: DECIMALS FRACTIONS ANGLES X.X ±.1 ±1/32 ±.5 X.XX ±.01 X.XXX ±.005		DRWN BY WRC	DATE 9/30/05	GILMORE VALVE CO. 1231 LUMPKIN RD. HOUSTON, TX 77043 VALVE, REGULATOR HYDRAULIC PRESSURE 1-1/2 NPT	
TREATMENT	CONDITION	DEBURR BREAK SHARP EDGES .010 INTERNAL RADIUS .015 FINISH 63	CHKD BY BFM	DATE 10/3/05			
PROC. NO.		DIMENSIONS ARE IN INCHES	APPD BY BFM	DATE 10/3/05			
THE INFORMATION CONTAINED IN THIS DRAWING IS THE SOLE PROPERTY OF GILMORE VALVE CO. UNLESS OTHERWISE STATED, ANY REPRODUCTION IN PART OR WHOLE WITHOUT THE WRITTEN PERMISSION OF GILMORE VALVE CO. IS PROHIBITED.		DO NOT SCALE DRAWING INTERPRET DIM. & TOL. PER ASME Y14.5M - 1994	ERN NO. 01041	DATE 9/29/05			
				SIZE B	DWG NO. 60031-W30	REV B	
				SCALE 1:5	PRO/ENGINEER	SHEET 2 OF 2	