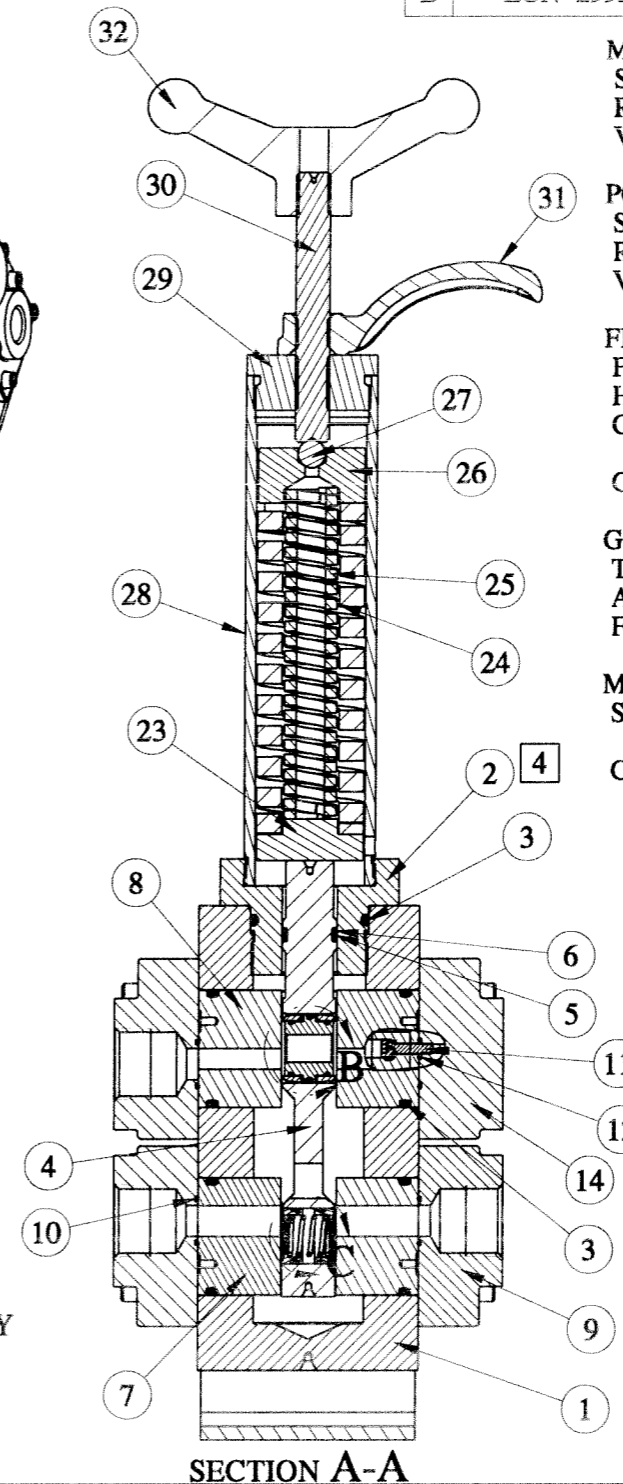
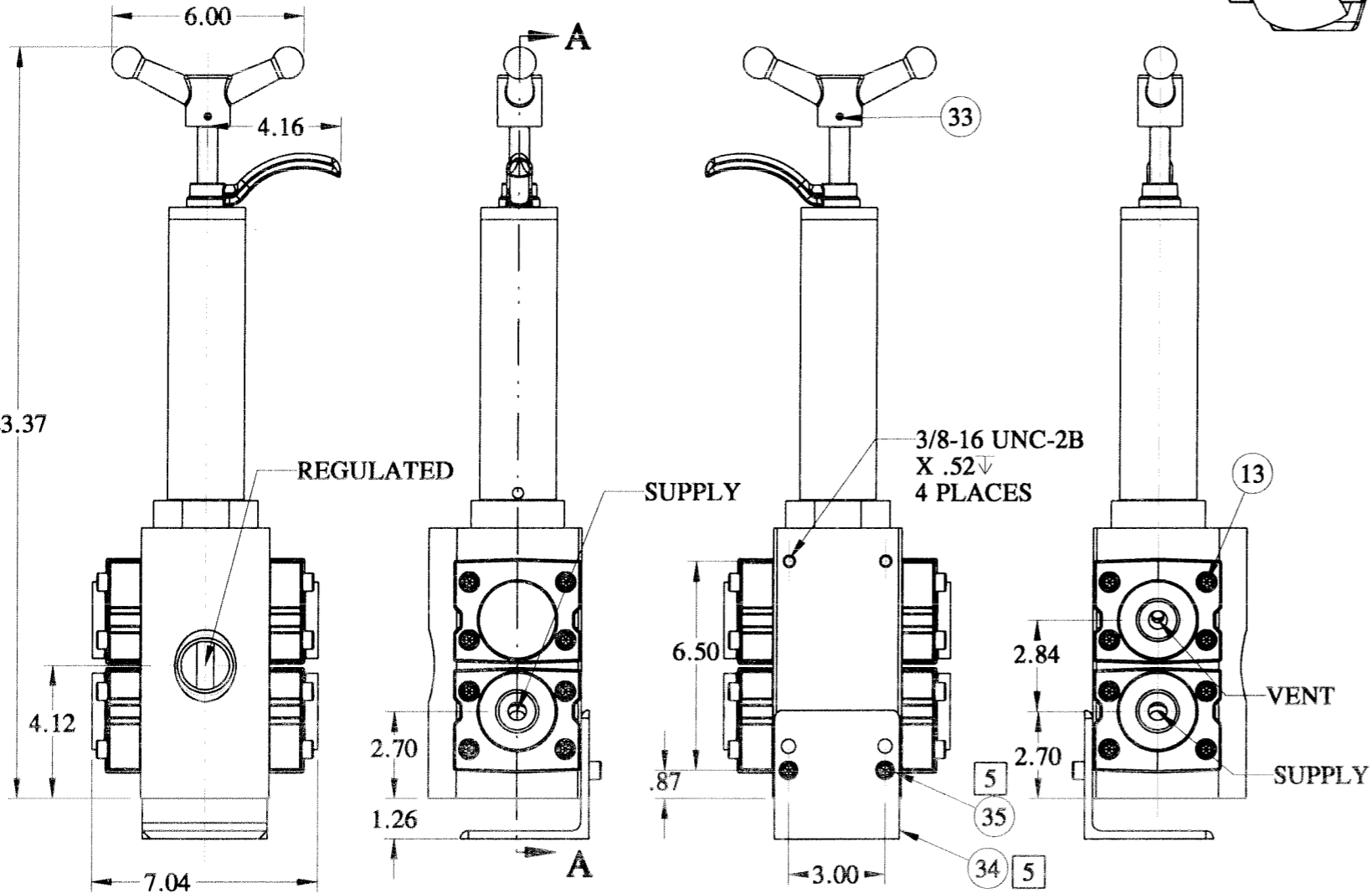
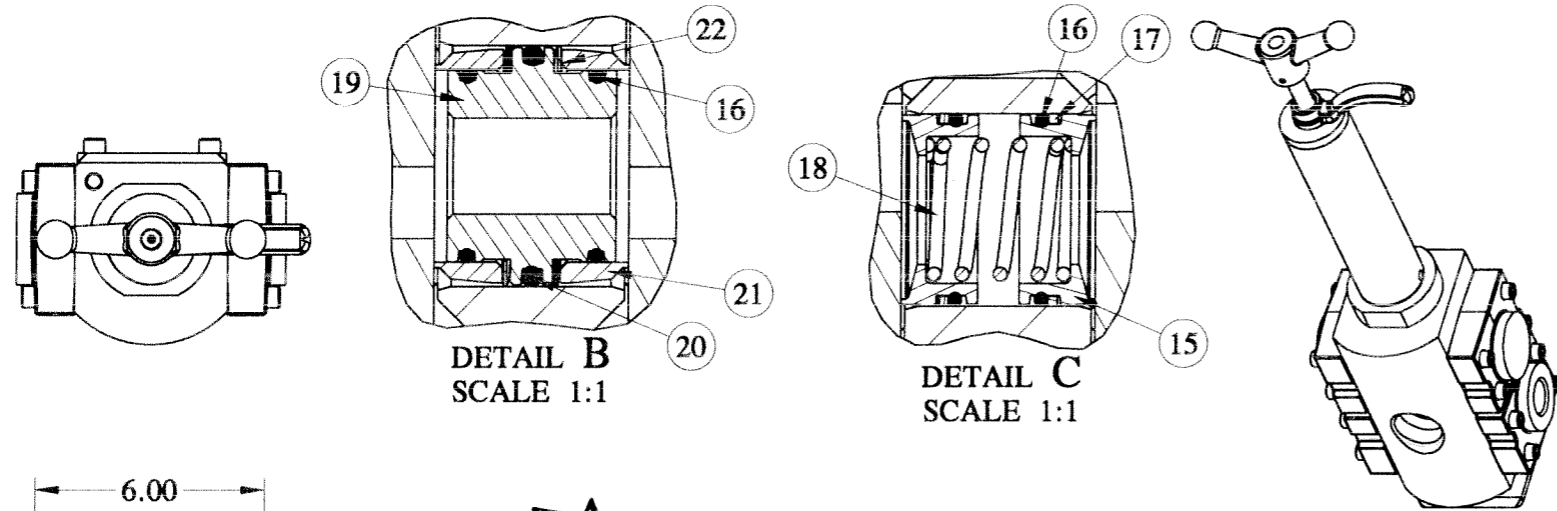


REV	ECN/ERN NO.	DRWN	CHKD	APPD
B	ECN 2995	JOSE' 9/19/05	BFM 10/3/05	BFM 10/3/05



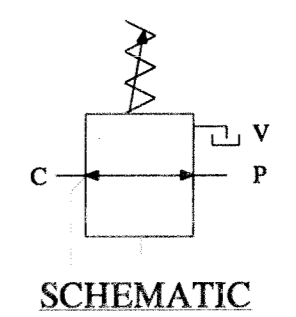
MAX WORKING PRESSURE
 SUPPLY - 3,000 PSI
 REGULATED - 3,000 PSI
 VENT - 3,000 PSI

PORTS
 SUPPLY, P - 1 NPT
 REGULATED, C - 1-1/2 NPT
 VENT, V - 1 NPT

FLOW DATA
 FLUIDS - WATER, MINERAL OIL BASED
 HYDRAULIC FLUIDS
 Cv, SUPPLY TO REGULATED - 7.5 FOR ONE INLET
 15.1 FOR TWO INLETS
 Cv, REGULATED TO VENT - 2.6

GENERAL DATA
 TEMP RANGE - 20° F TO 200° F
 APPROX WEIGHT - 65 LBS
 FIELD SERVICEABLE

MATERIALS
 STAINLESS STEEL: BODY, PLUNGER GUIDE,
 ALL SEALING SURFACES
 CARBON STEEL: FLANGES

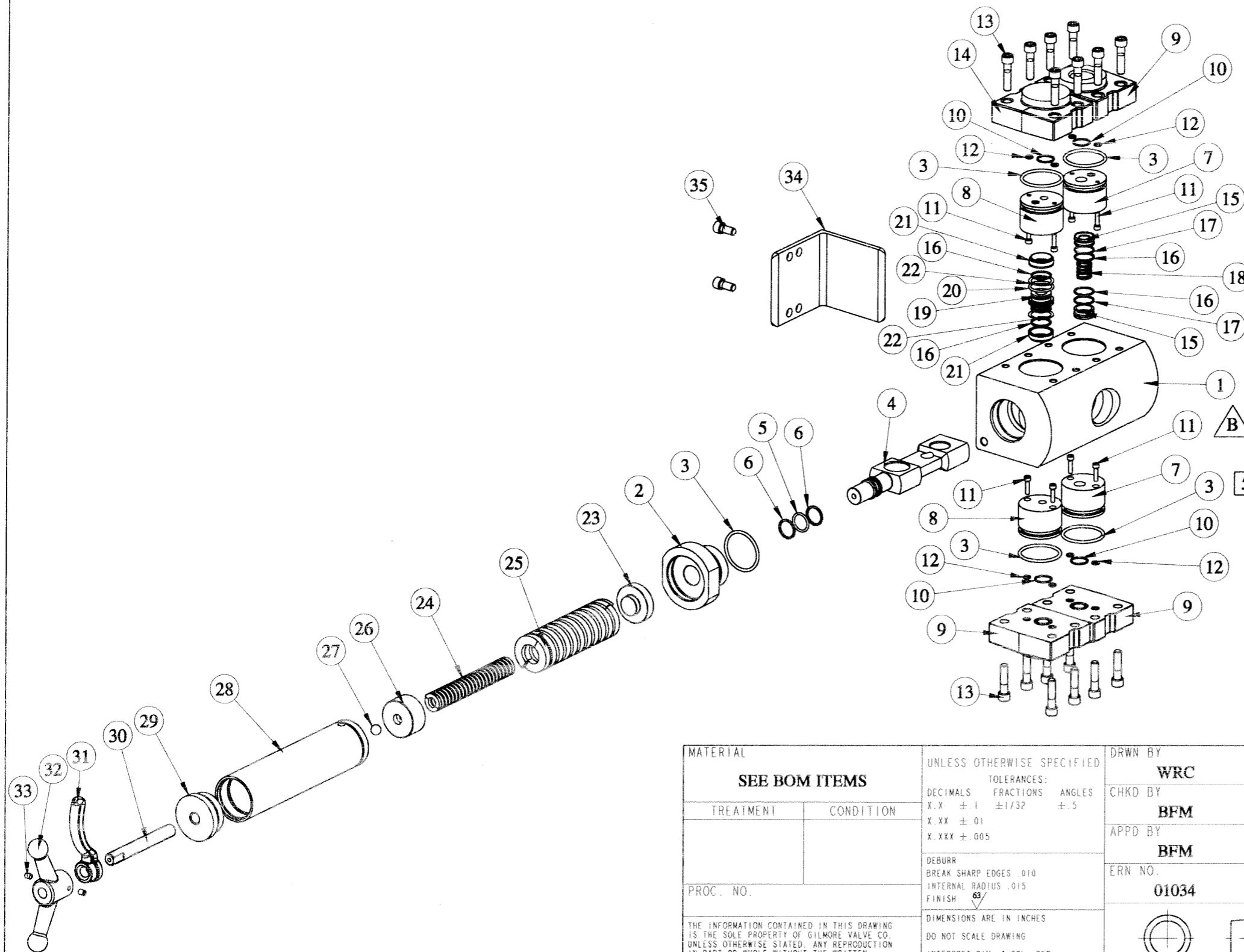


- 5** SPACER BRACKET IS USED TO MAINTAIN THE SAME RELATIONSHIP BETWEEN THE BOTTOM SURFACE OF THE REGULATOR, VENT, SUPPLY AND REGULATED PORTS AS OTHER 60031 SERIES REGULATORS. IT MAY BE DISCARDED IF NOT REQUIRED.
- 4** TIGHTEN ITEM 2 TO 250 LB-FT.
- 3.** REGULATOR SHOULD BE PAINTED WHEN PLACED INTO SERVICE.
- 2.** X, IN COLUMN SK, DEPICTS PARTS IN SEAL KIT, 60031-M30 SK.
- NOTES:** 1. X, IN COLUMN RK, DEPICTS PARTS IN REPAIR KIT, 60031-M30 RK.

MATERIAL		UNLESS OTHERWISE SPECIFIED		DRWN BY	DATE	GILMORE VALVE CO. 1231 LUMPKIN RD. HOUSTON, TX 77043	
SEE BOM ITEMS		TOLERANCES:		WRC	8/19/05		
TREATMENT	CONDITION	DECIMALS	FRACTIONS	ANGLES	DATE	VALVE, REGULATOR HYDRAULIC PRESSURE 1-1/2 NPT	
		X.X ±.1	±1/32	±.5	CHKD BY		
		X.XX ±.01			BFM	9/2/05	DWG NO. 60031-M30
		X.XXX ±.005			APPD BY	DATE	
PROC. NO.		DEBURR BREAK SHARP EDGES .010 INTERNAL RADIUS .015 FINISH 63		ERN NO.	DATE	SCALE	REV
THE INFORMATION CONTAINED IN THIS DRAWING IS THE SOLE PROPERTY OF GILMORE VALVE CO. UNLESS OTHERWISE STATED. ANY REPRODUCTION IN PART OR WHOLE WITHOUT THE WRITTEN PERMISSION OF GILMORE VALVE CO. IS PROHIBITED.		DIMENSIONS ARE IN INCHES DO NOT SCALE DRAWING INTERPRET DIM. & TOL. PER ASME Y14.5M - 1994		01034	8/16/05	1:5	B
				PRO/ENGINEER		SHEET 1 OF 2	

REV	ECN/ERN NO.	DRWN	CHKD	APPD
B	ECN 2995	JOSE' 9/19/05	BFM 10/3/05	BFM 10/3/05

ITEM NO	QTY	PART NO	DESCRIPTION	RK	SK
1	1	27781	BODY		
2	1	27780	PLUNGER GUIDE		
3	5	18100-117B	O-RING	X	X
4	1	27782	SEAL CONTAINER		
5	1	18100-074B	O-RING	X	X
6	2	18110-115T	BACKUP RING	X	X
7	2	22742	SUPPLY FLOW PLATE	X	
8	2	22743	VENT FLOW PLATE	X	
9	3	27771-2	FLANGE, 1 NPT		
10	4	18100-007B	O-RING	X	X
11	8	18221-004G	SHCS, #10-24 UNC x 3/4		
12	8	18100-008B	O-RING	X	X
13	16	18220-002Z	SHCS, 3/8-16 UNC x 1-1/2		
14	1	27771-1	FLANGE, BLIND		
15	2	11420	SEAL RING	X	
16	4	18100-003B	O-RING	X	X
17	2	18110-002T	BACKUP RING	X	X
18	1	11438	SPRING	X	
19	1	11708	SEAL CAGE	X	
20	1	18100-057C	O-RING	X	X
21	2	11709	DUMP SEAL	X	
22	2	18720-002	SPRING WASHER	X	
23	1	11442	SPRING GUIDE		
24	1	11604	SPRING		
25	1	11605-2	SPRING		
26	1	11448	SPRING GUIDE		
27	1	18800-001	BALL		
28	1	22144	SPRING TUBE		
29	1	11446	PLUG		
30	1	11052-1	ADJUSTING SCREW		
31	1	11223-1	LOCK HANDLE		
32	1	22150-1	BALL HANDLE		
33	2	18240-003	SET SCREW (CUP), 1/4-20 UNC x 3/8		
34	1	27794-01	SPACER BRACKET		
35	2	18220-020Z	SHCS, 3/8-16 UNC x 3/4		



MATERIAL		UNLESS OTHERWISE SPECIFIED TOLERANCES: DECIMALS FRACTIONS ANGLES X.X ± .1 ± 1/32 ± .5 X.XX ± .01 X.XXX ± .005	DRWN BY	DATE
SEE BOM ITEMS			WRC	8/19/05
TREATMENT	CONDITION	DEBURR BREAK SHARP EDGES .010 INTERNAL RADIUS .015 FINISH 63	CHKD BY	DATE
			BFM	9/2/05
PROC. NO.		DIMENSIONS ARE IN INCHES DO NOT SCALE DRAWING INTERPRET DIM. & TOL. PER ASME Y14.5M - 1994	APPD BY	DATE
			BFM	9/2/05
THE INFORMATION CONTAINED IN THIS DRAWING IS THE SOLE PROPERTY OF GILMORE VALVE CO. UNLESS OTHERWISE STATED, ANY REPRODUCTION IN PART OR WHOLE WITHOUT THE WRITTEN PERMISSION OF GILMORE VALVE CO. IS PROHIBITED.			ERN NO.	DATE
			01034	8/16/05

GILMORE VALVE CO. 1231 LUMPKIN RD. HOUSTON, TX 77043	
VALVE, REGULATOR HYDRAULIC PRESSURE 1-1/2 NPT	
SIZE B	DWG NO. 60031-M30
SCALE 7:40	PRO/ENGINEER
SHEET 2 OF 2	

REV B	APPD B
----------	-----------