

REV	ECN/ERN NO.	DRWN	CHKD	APPD
F	ECN 3025	WRC 8/17/06	See/30/00	See/30/00

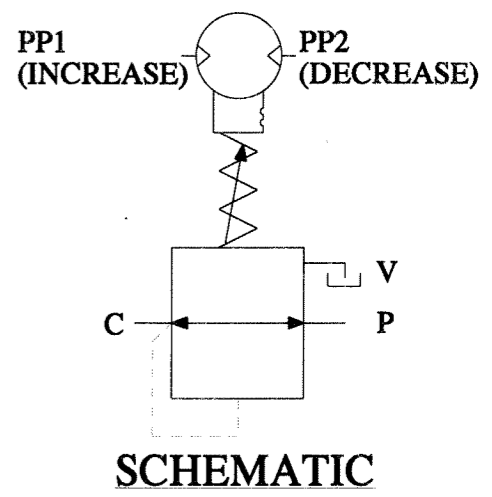
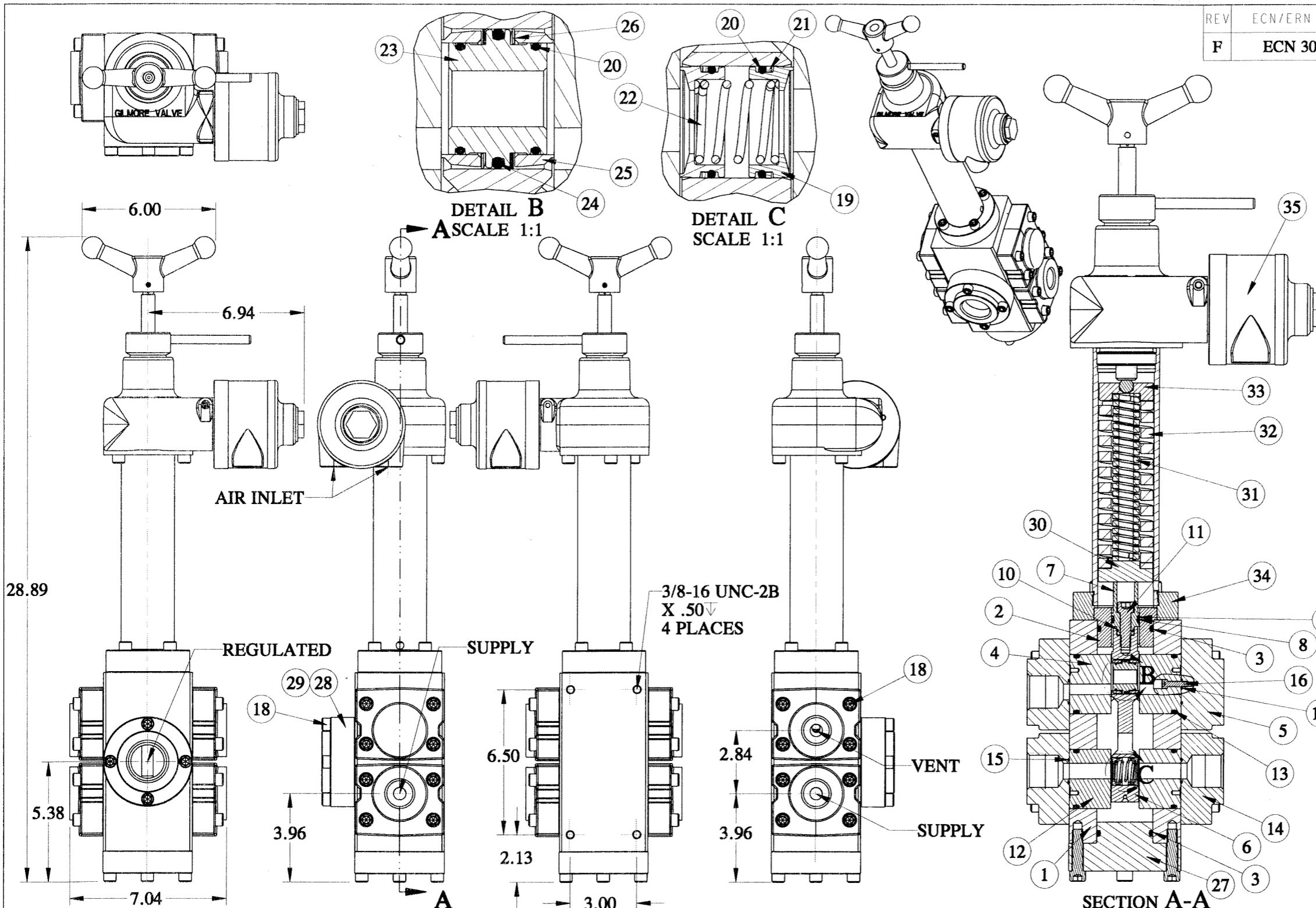
MAX WORKING PRESSURE
 SUPPLY - 3,000 PSI
 REGULATED - 3,000 PSI
 VENT - 3,000 PSI
 AIR INLET - 100 PSI

PORTS
 SUPPLY, P - 1 NPT
 REGULATED, C - 1-1/2 NPT
 VENT, V - 1 NPT
 AIR INLET, PP1, PP2 - 1/4 NPT

FLOW DATA
 FLUIDS - WATER, MINERAL OIL BASED
 HYDRAULIC FLUIDS
 Cv, SUPPLY TO REGULATED - 7.5 FOR ONE INLET
 15.1 FOR TWO INLETS
 Cv, REGULATED TO VENT - 2.6

GENERAL DATA
 TEMP RANGE - 20° F TO 200° F
 APPROX WEIGHT - 91 LBS
 FIELD SERVICEABLE

MATERIALS
 STAINLESS STEEL: BODY, PLUNGER GUIDE,
 ALL SEALING SURFACES
 CARBON STEEL: FLANGES

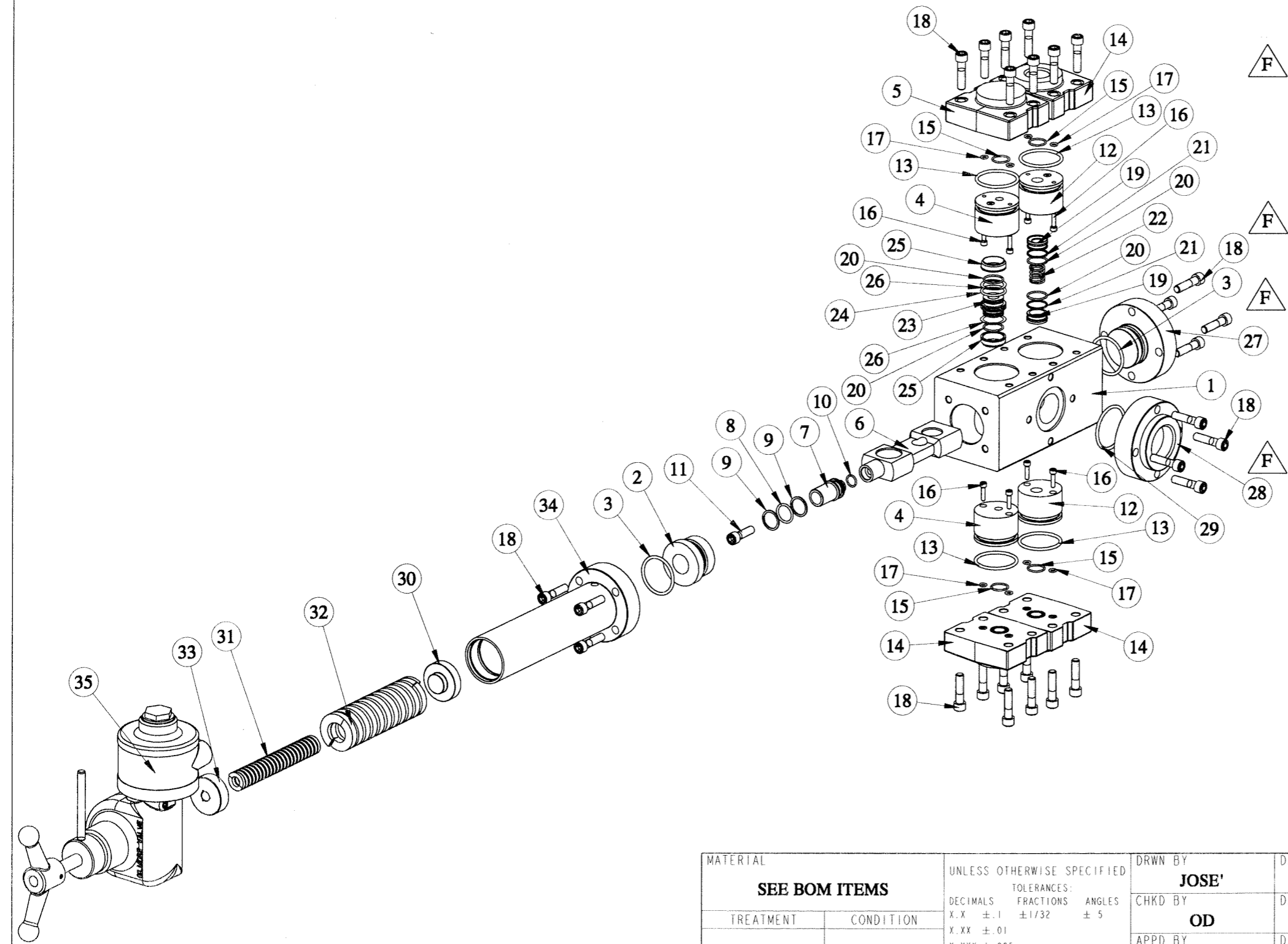


NOTES: 1. X, IN COLUMN RK, DEPICTS PARTS IN REPAIR KIT, 60031-99 RK.
 2. X, IN COLUMN SK, DEPICTS PARTS IN SEAL KIT, 60031-99 SK.
 3. REGULATOR SHOULD BE PAINTED WHEN PLACED INTO SERVICE.

MATERIAL		UNLESS OTHERWISE SPECIFIED		DRWN BY	DATE	GILMORE VALVE CO. 1231 LUMPKIN RD. HOUSTON, TX 77043			
SEE BOM ITEMS		TOLERANCES:		JOSE'	6/2/87				
TREATMENT	CONDITION	DECIMALS	FRACTIONS	ANGLES	DATE	VALVE, REGULATOR HYDRAULIC PRESSURE 1-1/2 NPT			
		X.X ±.1	±1/32	±.5	CHKD BY				
		X.XX ±.01			OD	DWG NO. 60031-99			
		X.XXX ±.005			APPD BY				
PROC. NO.		DEBURR BREAK SHARP EDGES .010 INTERNAL RADIUS .015 FINISH 63/			DATE	SCALE 1:5			
		DIMENSIONS ARE IN INCHES DO NOT SCALE DRAWING			ERN NO.				
THE INFORMATION CONTAINED IN THIS DRAWING IS THE SOLE PROPERTY OF GILMORE VALVE CO. UNLESS OTHERWISE STATED. ANY REPRODUCTION IN PART OR WHOLE WITHOUT THE WRITTEN PERMISSION OF GILMORE VALVE CO. IS PROHIBITED.		INTERPRET DIM & TOL. PER ASME Y14.5M - 1994				DATE	PRO/ENGINEER	SHEET 1 OF 2	REV F

REV	ECN/ERN NO.	DRWN	CHKD	APPD
F	ECN 3025	WRC 8/17/06	5/28/06	5/28/06

ITEM NO	QTY	PART NO	DESCRIPTION	RK	SK
1	1	44331	BODY		
2	1	22741	GUIDE, PLUNGER		
3	2	18100-105B	O-RING	X	X
4	2	22743	VENT FLOW PLATE	X	
5	1	27771-1	FLANGE, BLIND		
6	1	22755	SEAL CONTAINER		
7	1	22757	PISTON		
8	1	18100-074B	O-RING	X	X
9	2	18110-115T	BACKUP RING	X	X
10	1	18100-006B	O-RING	X	X
11	1	18221-003G	SHCS, 3/8-16 UNC x 1-1/4		
12	2	22742	SUPPLY FLOW PLATE	X	
13	4	18100-117B	O-RING	X	X
14	3	27771-2	FLANGE, 1 NPT		
15	4	18100-007B	O-RING	X	X
16	8	18221-004G	SHCS, #10-24 UNC x 3/4	X	
17	8	18100-008B	O-RING	X	X
18	28	18220-002Z	SHCS, 3/8-16 UNC x 1-1/2		
19	2	11420	SEAL RING	X	
20	4	18100-003B	O-RING	X	X
21	2	18110-002T	BACKUP RING	X	X
22	1	11438	SPRING	X	
23	1	11708	SEAL CAGE	X	
24	1	18100-057C	O-RING	X	X
25	2	11709	DUMP SEAL	X	
26	2	18720-002	SPRING WASHER	X	
27	1	22747-1	FLANGE, BOTTOM		
28	1	22745-2	FLANGE, 1-1/2 NPT		
29	1	18100-102B	O-RING	X	X
30	1	11442	SPRING GUIDE		
31	1	11604	SPRING		
32	1	11605-2	SPRING		
33	1	12518	TOP SPRING GUIDE		
34	1	22149	ADJUSTMENT HEAD ASSY		
35	1	33071	VALVE ACTUATOR		



MATERIAL		UNLESS OTHERWISE SPECIFIED		DRWN BY		DATE		GILMORE VALVE CO. 1231 LUMPKIN RD. HOUSTON, TX 77043 VALVE, REGULATOR HYDRAULIC PRESSURE 1-1/2 NPT DWG NO. 60031-99 SCALE 1:5 PRO/ENGINEER SHEET 2 OF 2			
SEE BOM ITEMS		TOLERANCES:		JOSE'		6/2/87					
TREATMENT	CONDITION	DECIMALS	FRACTIONS	ANGLES	CHKD BY	DATE					
		X.X ±.1	±1/32	± 5	OD	DATE					
PROC. NO.		DEBURR		APPD BY		DATE		REV			
		BREAK SHARP EDGES .010		ERN NO		DATE		F			
		INTERNAL RADIUS .015									
		FINISH 63									
THE INFORMATION CONTAINED IN THIS DRAWING IS THE SOLE PROPERTY OF GILMORE VALVE CO. UNLESS OTHERWISE STATED, ANY REPRODUCTION IN PART OR WHOLE WITHOUT THE WRITTEN PERMISSION OF GILMORE VALVE CO. IS PROHIBITED.		DIMENSIONS ARE IN INCHES									
		DO NOT SCALE DRAWING									
		INTERPRET DIM. & TOL. PER ASME Y14.5M - 1994									