

REV	ECN/ERN NO.	DRWN	CHKD	APPD
C	ECN 3131	ICH 04/10/07	04/12/07	04/12/07

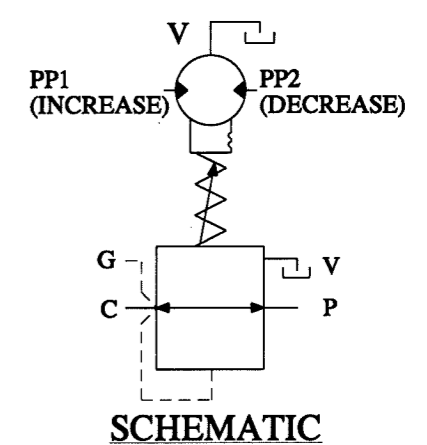
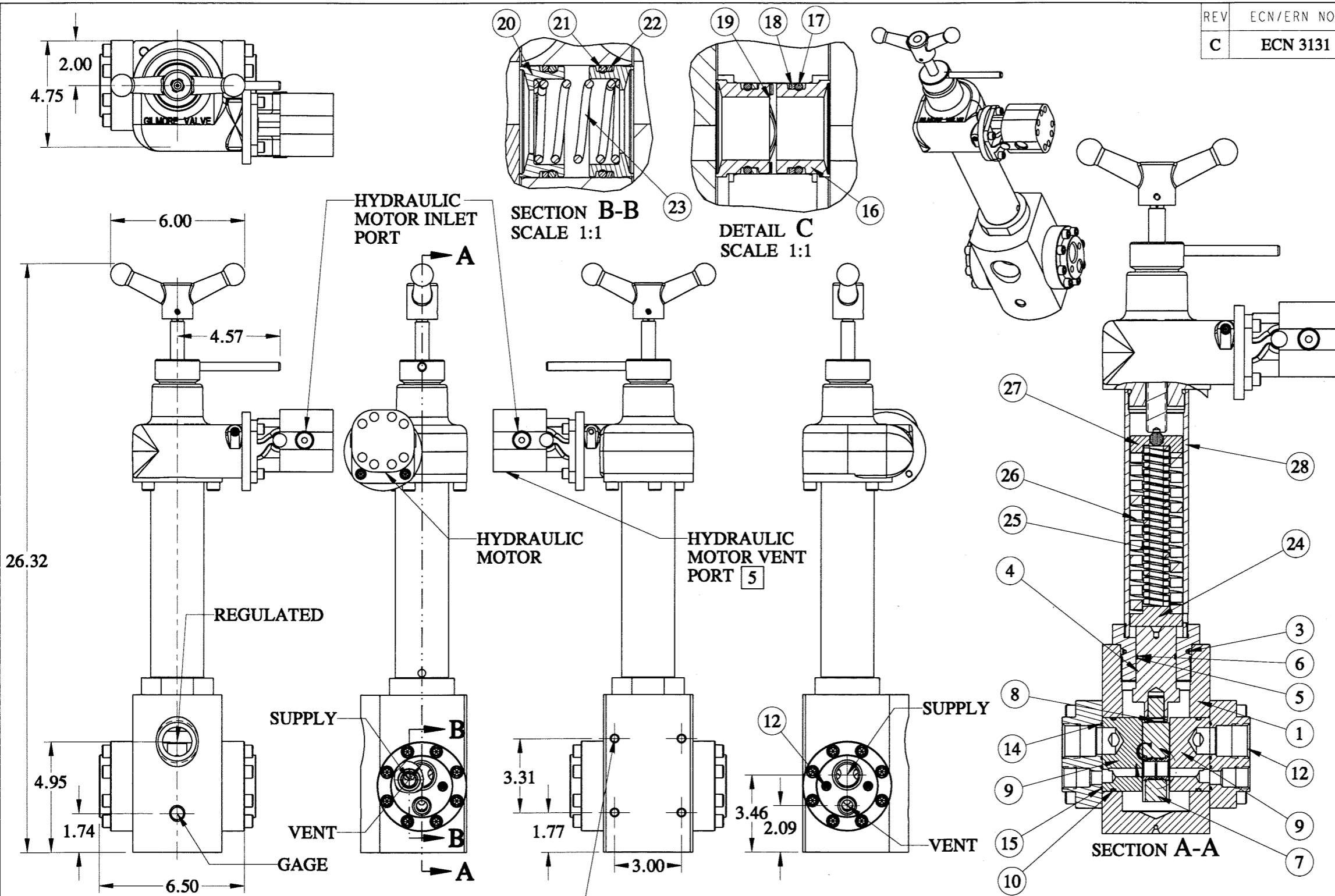
MAX WORKING PRESSURE  
 SUPPLY - 5,000 PSI  
 REGULATED - 300-1,500 PSI  
 VENT - 1,500 PSI  
 GAGE - 1,500 PSI  
 HYDRAULIC MOTOR INLET - 1,500 PSI  
 5 HYDRAULIC MOTOR VENT - 25 PSI MAX

PORTS  
 SUPPLY, P - DUAL 1 NPT  
 REGULATED, C - 1-1/2 NPT  
 VENT, V - DUAL 1/2 NPT  
 GAGE, G - 3/8 NPT  
 HYDRAULIC MOTOR INLET, PP1, PP2 - 1/2 SAE  
 5 HYDRAULIC MOTOR VENT 1/4 SAE

FLOW DATA  
 Cv, SUPPLY TO REGULATED - 18.8  
 Cv, REGULATED TO VENT, 2.8  
 FLUIDS - WATER, MINERAL OIL BASED  
 HYDRAULIC FLUIDS

GENERAL DATA  
 TEMP RANGE - 40° F TO 200° F  
 APPROX WEIGHT - 74 LBS  
 FIELD SERVICEABLE

MATERIALS  
 STAINLESS STEEL: BODY, PLUNGER GUIDE,  
 ALL SEALING SURFACES  
 CARBON STEEL: FLANGES



- 5 HYDRAULIC MOTOR VENT PRESSURE MUST BE BELOW 25 PSI. OIL BASED HYDRAULIC FLUIDS ONLY.  
 4 TIGHTEN ITEM 2 TO 250 FT-LB.  
 3. REGULATOR SHOULD BE PAINTED WHEN PLACED INTO SERVICE.  
 2. X, IN COLUMN SK, DEPICTS PARTS IN SEAL KIT, 45010 SK.  
 NOTES: 1. X, IN COLUMN RK, DEPICTS PARTS IN REPAIR KIT, 45010.

MATERIAL		UNLESS OTHERWISE SPECIFIED		DRWN BY	DATE
SEE BOM ITEMS		TOLERANCES:		LB	02/21/06
TREATMENT	CONDITION	DECIMALS	FRACTIONS	ANGLES	DATE
		X.X ±.1	±1/32	±.5	03/08/06
		X.XX ±.01			DATE
		X.XXX ±.005			03/08/06
PROC. NO.		DEBURR		ERN NO.	DATE
		BREAK SHARP EDGES .010		01074	02/15/06
		INTERNAL RADIUS .015			
		FINISH 63/			
THE INFORMATION CONTAINED IN THIS DRAWING IS THE SOLE PROPERTY OF GILMORE VALVE CO. UNLESS OTHERWISE STATED, ANY REPRODUCTION IN PART OR WHOLE WITHOUT THE WRITTEN PERMISSION OF GILMORE VALVE CO. IS PROHIBITED.		DIMENSIONS ARE IN INCHES			
		DO NOT SCALE DRAWING			
		INTERPRET DIM. & TOL. PER ASME Y14.5M - 1994			

GILMORE VALVE CO.  
 1231 LUMPKIN RD.  
 HOUSTON, TX 77043

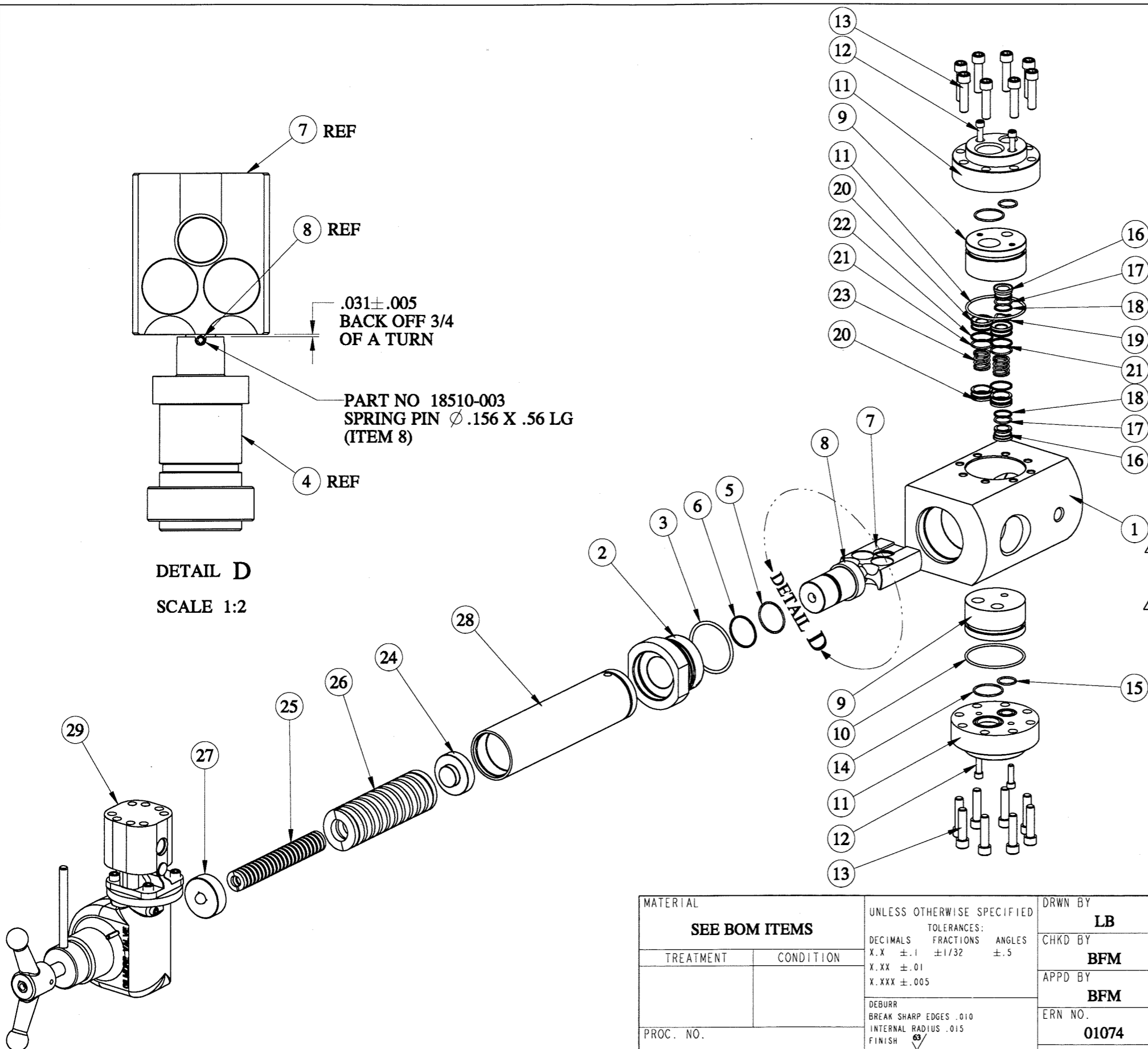
**VALVE, REGULATOR,  
 HYDRAULIC PRESSURE, 1-1/2 NPT  
 DUAL 1" NPT INLET, LOW TEMP**

SIZE B DWG NO. 45010 REV C  
 SCALE 1:5 PRO/ENGINEER SHEET 1 OF 2

REV	ECN/ERN NO.	DRWN	CHKD	APPD
C	ECN 3131	ICH 04/10/07	5/24/07	5/24/07

ITEM NO	QTY	PART NO	DESCRIPTION	RK	SK
1	1	27776-2	VALVE BODY		
2	1	27772-1	GUIDE, PLUNGER		
3	1	18100-101H	O-RING	X	X
4	1	12711	PLUNGER		
5	1	18100-038H	O-RING	X	X
6	1	18110-020T	BACKUP RING	X	X
7	1	23083	SEAL CONTAINER		
8	1	18510-003	SPRING PIN		
9	2	22554	FLOW PORT	X	
10	2	18100-051H	O-RING	X	X
11	2	22185	FLANGE, INLET		
12	4	18221-005G	SHCS, 1/4-20 UNC x 7/8		
13	16	18220-002Z	SHCS, 3/8-16 UNC x 1-1/2		
14	2	18100-002H	O-RING	X	X
15	2	18100-007H	O-RING	X	X
16	2	11512	SEAL RING	X	
17	2	18100-009H	O-RING	X	X
18	2	18110-005T	BACKUP RING	X	X
19	1	18701-002	SPRING WASHER	X	
20	4	11420	SEAL RING	X	
21	4	18100-003H	O-RING	X	X
22	4	18110-002T	BACKUP RING	X	X
23	2	11438	SPRING	X	
24	1	11442	SPRING GUIDE		
25	1	11604	SPRING		
26	1	11605-2	SPRING		
27	1	12518	TOP SPRING GUIDE		
28	1	22144	SPRING TUBE		
29	1	33077	VALVE ACTUATOR		



7 REF

8 REF

.031±.005  
BACK OFF 3/4  
OF A TURN

PART NO 18510-003  
SPRING PIN Ø .156 X .56 LG  
(ITEM 8)

4 REF

DETAIL D  
SCALE 1:2

MATERIAL	
SEE BOM ITEMS	
TREATMENT	CONDITION
PROC. NO.	
THE INFORMATION CONTAINED IN THIS DRAWING IS THE SOLE PROPERTY OF GILMORE VALVE CO. UNLESS OTHERWISE STATED, ANY REPRODUCTION IN PART OR WHOLE WITHOUT THE WRITTEN PERMISSION OF GILMORE VALVE CO. IS PROHIBITED.	

UNLESS OTHERWISE SPECIFIED		
TOLERANCES:		
DECIMALS	FRACTIONS	ANGLES
X.X ±.1	±1/32	±.5
X.XX ±.01		
X.XXX ±.005		
DEBURR		
BREAK SHARP EDGES .010		
INTERNAL RADIUS .015		
FINISH 63		
DIMENSIONS ARE IN INCHES		
DO NOT SCALE DRAWING		
INTERPRET DIM. & TOL. PER ASME Y14.5M - 1994		

DRWN BY	LB	DATE	02/21/06
CHKD BY	BFM	DATE	03/08/06
APPD BY	BFM	DATE	03/08/06
ERN NO.	01074	DATE	02/15/06

**GILMORE VALVE CO.**  
1231 LUMPKIN RD.  
HOUSTON, TX 77043

**VALVE, REGULATOR,  
HYDRAULIC PRESSURE, 1-1/2 NPT  
DUAL 1 INLET, LOW TEMP**

SIZE	B	DWG NO.	45010	REV	C
SCALE	1:5	PRO/ENGINEER	SHEET 2 OF 2		