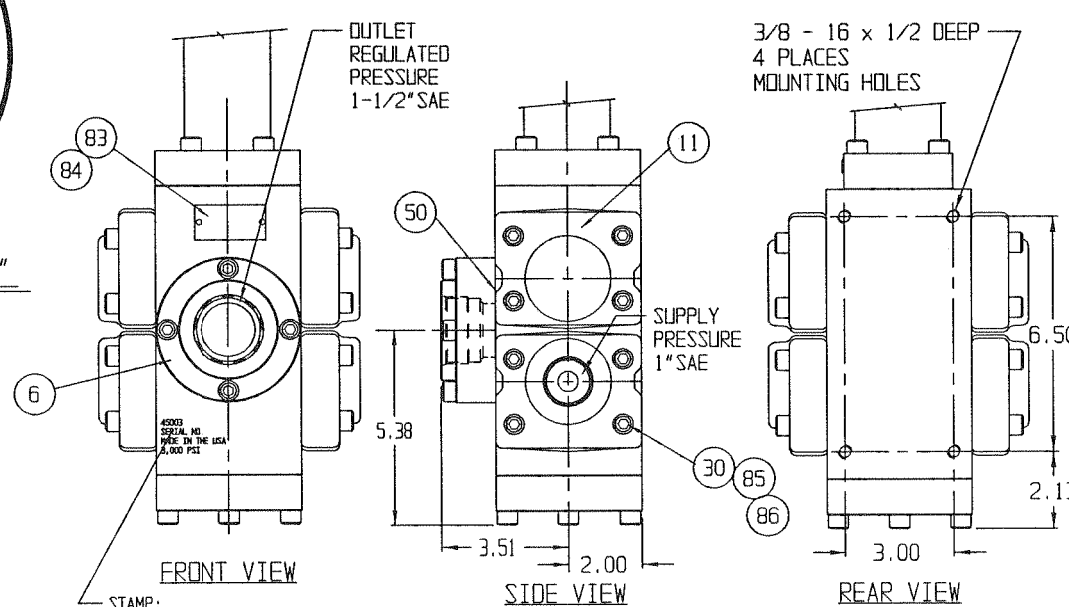
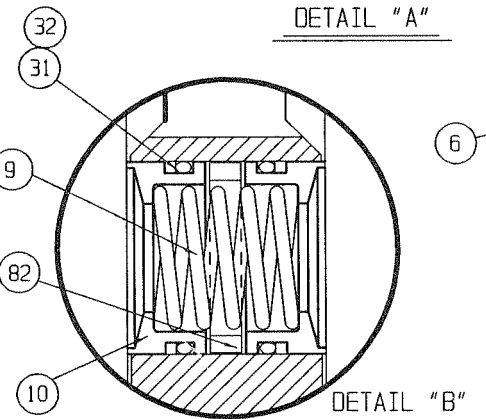
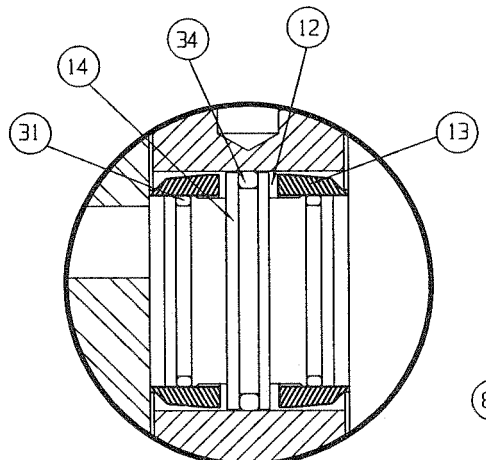


o - REPAIR KIT : 45003 RK
 * - SEAL KIT : 45003 SK

PARTS LIST

ITEM	PART NO.	DESCRIPTION	REQ'D.
1	44331	BODY	1
2	22741	PLUNGER GUIDE	1
o 3	22743	VENT FLOW PLATE	2
4	22744-2	1" SAE FLANGE	3
o 5	22742	SUPPLY FLOW PLATE	2
6	22745-1	1 1/2" SAE FLANGE	1
8	22747	LOWER FLANGE	1
o 9	11438	SPRING	1
o 10	11420	SEAL RING	2
11	22746	BLIND FLANGE	1
o 12	18720-002	WAVE SPRING	2
o 13	11709	SEAL RING	2
o 14	11708	VALVE CAGE	1
15	22149	ADJUSTMENT HEAD	1
16	11442	SPRING PLATE	1
17	11604	SPRING	1
18	11605-2	SPRING	1
19	12518	TOP SPRING GUIDE	1
* o 26	18100-105B	O-RING	2
* o 27	18100-117B	O-RING	4
28	18510-006	SPRING PIN, 1/8 x 1/2	4
* o 29	18100-007B	O-RING	4
30	18220-002A	SOC. HD. CAP SCREW, 3/8 x 1.5	28
* o 31	18100-003B	O-RING	4
* o 32	18110-002T	BACK-UP RING	2
* o 33	18221-004G	SOC. HD. CAP SCREW, 10 x 3/4	8
* o 34	18100-057C	O-RING	1
* o 35	18100-074B	O-RING	1
* o 50	18100-102B	O-RING	1
* o 51	18110-115T	BACK-UP RING	2
* o 52	18100-008B	O-RING	8
* o 54	18100-006B	O-RING	1
56	22755	SEAL CONTAINER	1
60	22757	PISTON	1
62	18221-003G	SOC. HD. CAP SCREW, 3/8 x 1.25	1
63	33071	ACTUATOR ASS'Y	1
o 82	12109	SPACER	1
83	12225	NAME TAG	1
84	21082-002	SCREW, DRIVE, 3/16 LG.	2
85	25822	ANTI SEIZE COMPOUND	A/R
* o 86	25822-1	ANTI SEIZE COMPOUND	4

MATERIALS :
 NODULAR IRON
 CARBON STEEL
 ALLOY
 BUNA - N
 TEFLON
 STAINLESS STEEL
 BRASS



EST. WT. 90 LBS.

Cv SUPPLY = 9.4
 Cv VENT = 2.2

	FITTING SIZE	WORKING PRESSURE
INLET	1" SAE	3,000 psi
REGULATED	1-1/2" SAE	0-3,000 psi
VENT	1" SAE	

NAME OF PART
 HYD. PRESS. REGULATOR
 WITH AIR ACTUATOR
GILMORE VALVE COMPANY
 HOUSTON, TEXAS

DATE - 9/7/01 REFERENCE

SCALE - FULL

DR. BY - JOSE' DRAWING NO.
 C'K'D BY - *wre 9/20/01* 45003

APP'D BY - *J. J. 9/25/01*

A	ERN NO.	00493	9/10/01	JOSE'	38
NO.	REVISIONS	DATE	DR.	CK.	