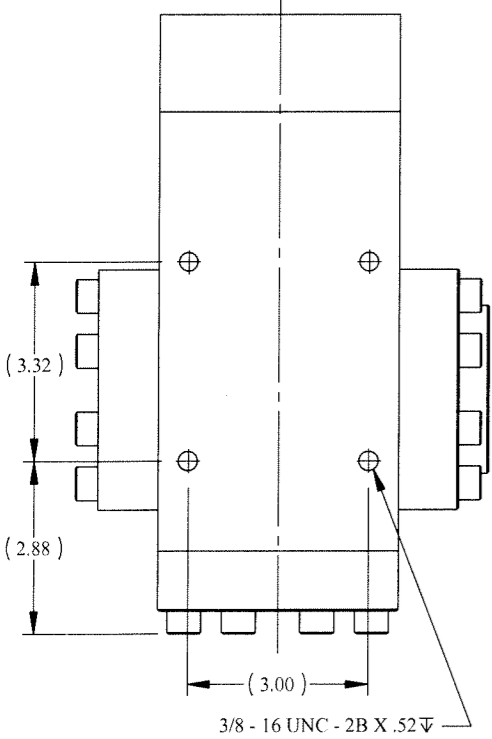
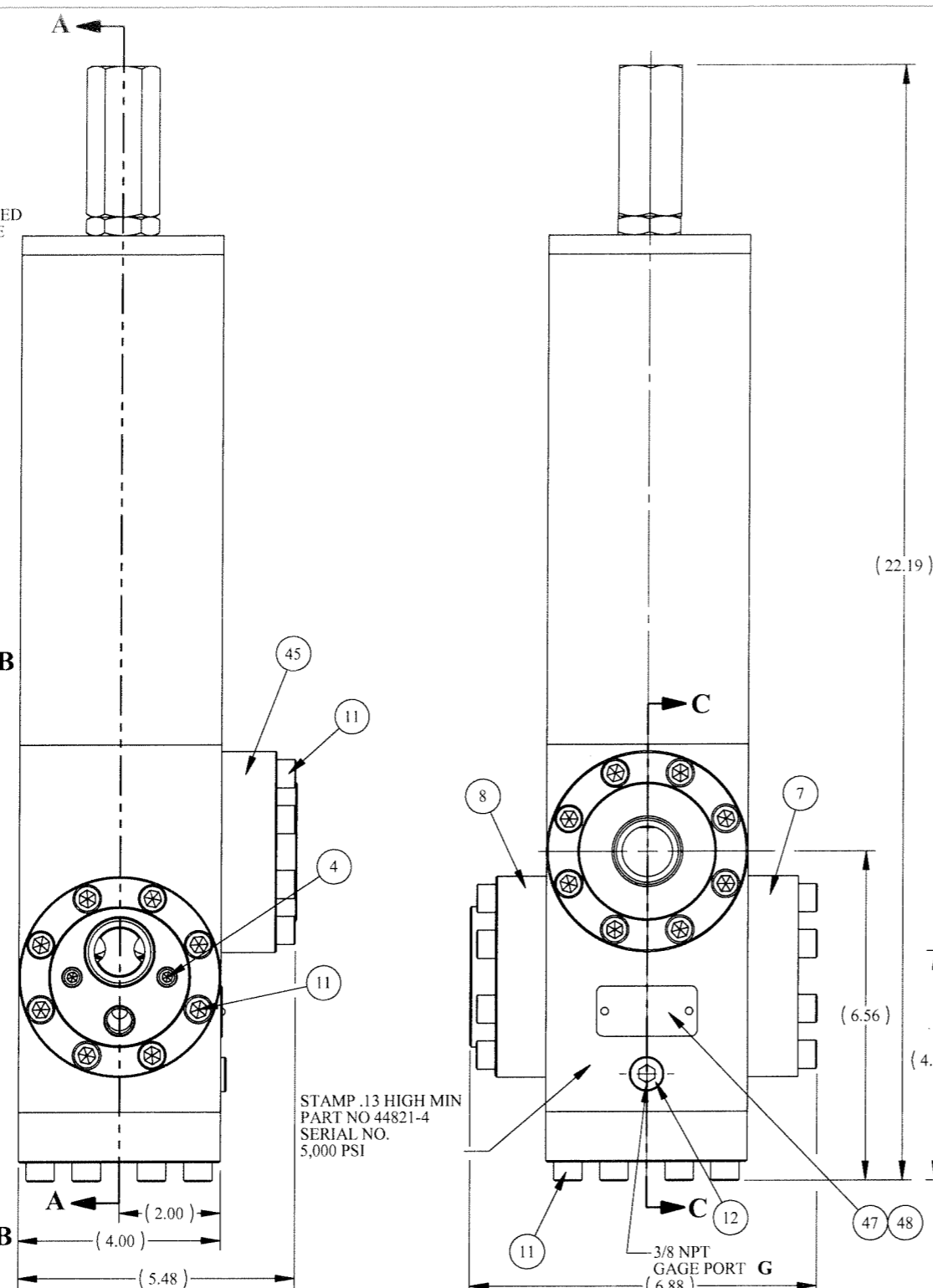
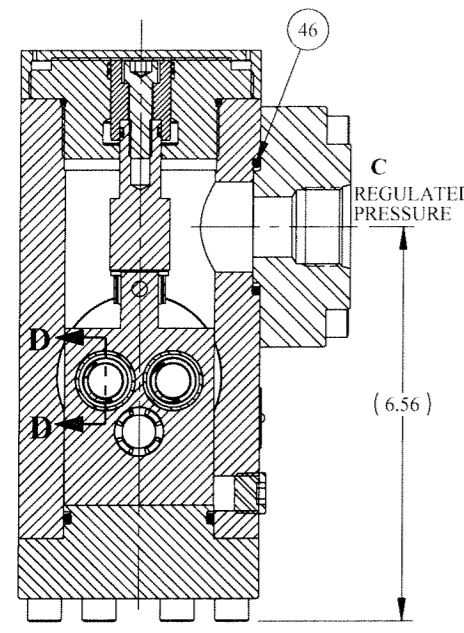


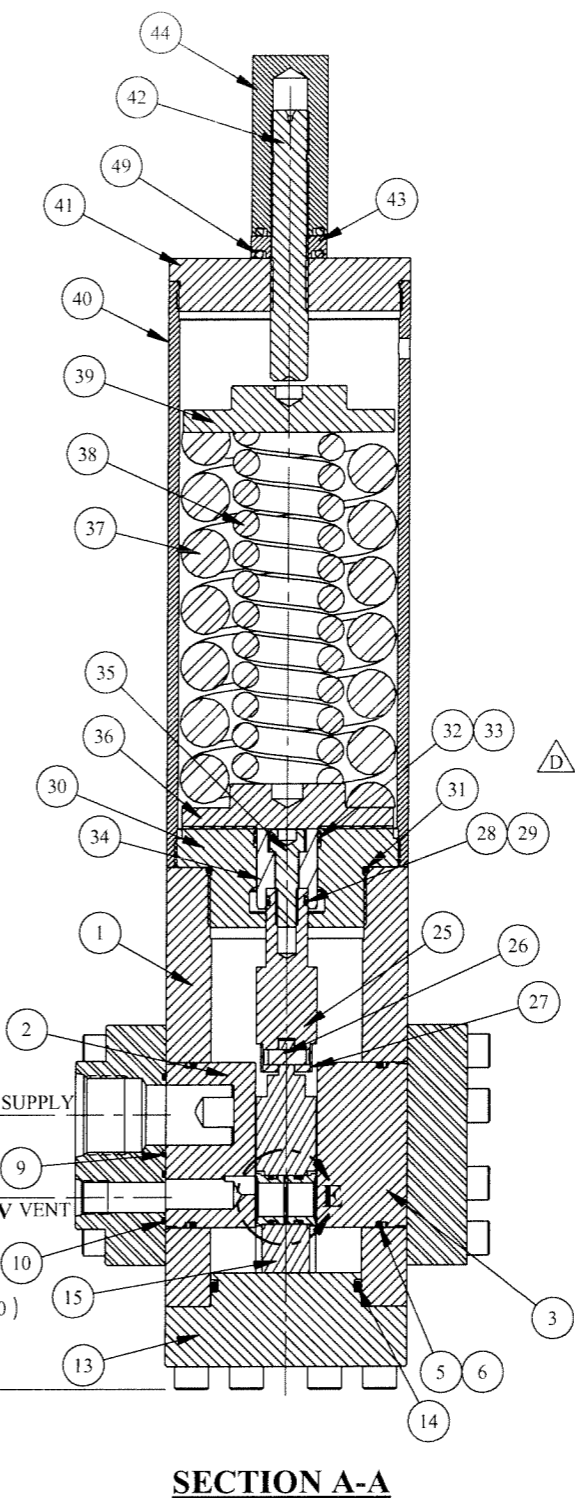
ITEM NO.	QTY.	PART NO.	DESCRIPTION	RK	SK
1	1	33417	BODY		
2	1	13057-2	FLOW PORT	X	
3	1	13056-2	PLATE	X	
4	4	18221-005G	S.H.C.S., 1/4-20 UNC X 7/8	X	X
5	2	18100-051C	O-RING	X	X
6	2	18110-130T	BACKUP RING	X	X
7	1	12995	BLANK FLANGE		
8	1	12996	INLET FLANGE		
9	1	18100-002C	O-RING	X	X
10	1	18100-007C	O-RING	X	X
11	32	18224-003	S.H.C.S., 3/8-16 UNC X 1-1/2		
12	1	18601-008	PIPE PLUG, HEX SOC, SS, 3/8" NPT		
13	1	12994	BOTTOM FLANGE		
14	1	18100-101C	O-RING	X	X
15	1	25888-3	SEAL CONTAINER		
16	2	11512-2	SEAL RING	X	
17	2	18100-009B	O-RING	X	X
18	2	18110-005T	BACKUP RING	X	X
19	1	18701-001	WAVE SPRING	X	
20	2	12109	SPACER	X	
21	4	11420-2	SEAL RING	X	
22	4	18100-003B	O-RING	X	X
23	4	18110-002T	BACKUP RING	X	X
24	2	11438	SPRING, COMPRESSION	X	
25	1	13691-1	PLUNGER STEM		
26	1	18500-017	DOWEL PIN, 1/4 X 5/8		
27	1	11808	RETAINER SLEEVE		
28	1	18100-022C	O-RING	X	X
29	1	18110-013T	BACKUP RING	X	X
30	1	12975-2	PLUNGER GUIDE		
31	1	18100-099C	O-RING	X	X
32	1	18100-029B	O-RING	X	X
33	2	13135	BACKUP RING	X	X
34	1	12942	PISTON PLUNGER		
35	1	18224-002	S.H.C.S., 3/8-16 UNC X 1-1/4		
36	1	12970	SPRING PLATE		
37	1	12968	SPRING, COMPRESSION		
38	1	13125	SPRING, COMPRESSION		
39	1	12973-2	SPRING GUIDE		
40	1	23796	SPRING HOUSING		
41	1	12971	PLUG		
42	1	11910	ADJUSTING SCREW		
43	1	11580	'O' LOCK NUT		
44	1	11567	LOCK CAP		
45	1	24021	FLANGE		
46	1	18100-102C	O-RING	X	X
47	1	12225	NAME TAG		
48	2	21082-002	SCREW, DRIVE		
49	2	18100-113C	O-RING	X	X

SECTION C-C

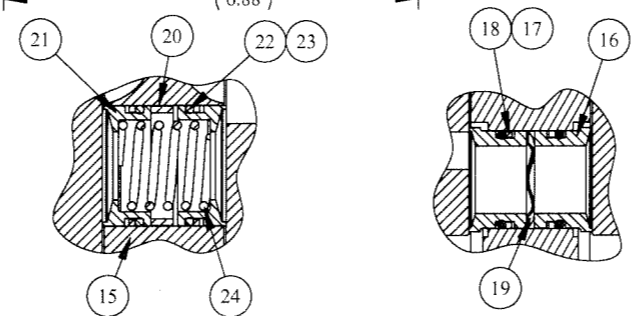


VIEW B-B

STAMP .13 HIGH MIN
PART NO 44821-4
SERIAL NO.
5,000 PSI



SECTION A-A



**SECTION D-D
SUPPLY PORT**

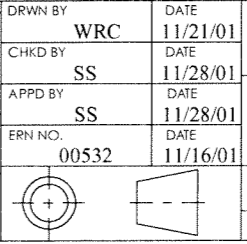
**DETAIL E
VENT PORT**

	FITTING	WORKING PRESSURE
SUPPLY P	1" SAE (1)	5,000 PSI
REGULATED C	1" SAE (1)	4,000 PSI
VENT V	3/8" SAE (1)	AMBIENT
GAGE PORT G	3/8" NPT	4,000 PSI

MATERIAL:
A286
STAINLESS STEEL
TUNGSTEN CARBIDE
BUNA-N
DELFIN
TEFLON

CALCULATED Cv = 9.4 SUPPLY
Cv = 1.4 VENT
WEIGHT - 68 LBS
PATENT NO. 4,493,335

MATERIAL	REFER TO INDIV BOM ITEMS	UNLESS OTHERWISE SPECIFIED	DRWN BY	DATE
TREATMENT	CONDITION	DECIMALS: X ± .1	WRC	11/21/01
FRACCTIONS: .XX ± .01		FRACTIONS: 1/32	CHKD BY	DATE
ANGLES: .XXX ± .005		ANGLES: ± 1°	SS	11/28/01
DEBURF			APPD BY	DATE
BREAK SHARP EDGES .010			SS	11/28/01
FINISH			ERN NO.	DATE
00			00532	11/16/01
PROC. NO.	GVCV-0327	DIMENSIONS ARE IN INCHES		
		DO NOT SCALE DRAWING		
		INTERPRET DIM & TOL PER ASME Y14.5M - 1994		



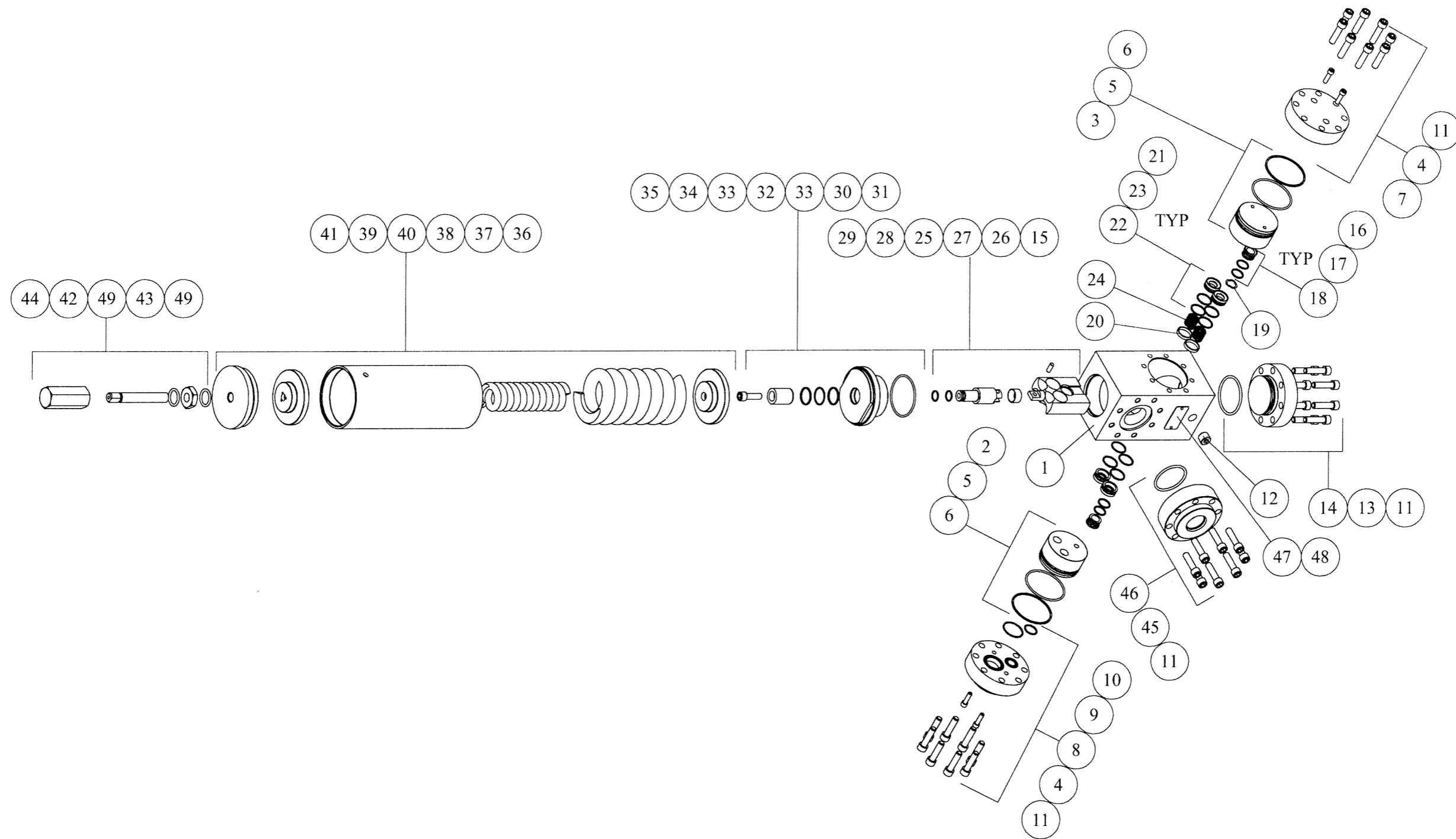
GILMORE VALVE CO.
1231 LUMPKIN RD.
HOUSTON, TX. 77043

REGULATOR, 5K/4K PSI
1" SAE SUPPLY, 1" SAE REGULATED



SIZE	C	DWG. NO.	44821-4	REV	D
SCALE	NTS	SOLIDWORKS	SHEET 1 OF 2		

NOTES: 1. X DEPICTS PARTS IN REPAIR KIT 44821-4 RK AND SEAL KIT 44821-4 SK

REV	ECN/ERN NO.	DRWN	CHKD	APPD
D	ECN 3080	JOSE' 6/30/06	<i>[Signature]</i> 6/30/06	<i>[Signature]</i> 7/1/06



NOTE: 1. THIS EXPLODED ISOMETRIC VIEW ON SHEET 2 OF THE DRAWING IS A GRAPHICAL REPRESENTATION TO ASSIST IN INITIAL ASSEMBLY OR RE-WORK DISASSEMBLY & RE-ASSEMBLY. FINAL INSPECTION AND TEST SHOULD ALWAYS REFER TO SHEET 1 OF THIS DRAWING.

MATERIAL REFER TO INDIV BOM ITEMS		UNLESS OTHERWISE SPECIFIED TOLERANCES:		DRWN BY WRC	DATE 11/21/01	GILMORE VALVE CO. 1231 LUMPKIN RD. HOUSTON, TX. 77043			
TREATMENT	CONDITION	DECIMALS	FRACTIONS	ANGLES	CHKD BY SS				DATE 11/28/01
NA	NA	.X ± .1	± 1/32	± 1°	APPD BY SS	DATE 11/28/01	REGULATOR, 5K/4K PSI 1" SAE SUPPLY, 1" SAE REGULATED		
PROC. NO. GVCP-0327		DEBURR BREAK SHARP EDGES .010		FINISH 63/	ERN NO. 00532	DATE 11/16/01			
THE INFORMATION CONTAINED IN THIS DRAWING IS THE SOLE PROPERTY OF GILMORE VALVE CO. UNLESS OTHERWISE STATED, ANY REPRODUCTION IN PART OR WHOLE WITHOUT THE WRITTEN PERMISSION OF GILMORE VALVE CO. IS PROHIBITED.		DIMENSIONS ARE IN INCHES DO NOT SCALE DRAWING		INTERPRET DIM. & TOL. PER ASME Y14.5M - 1994	 		SIZE B	DWG NO. 44821-4	REV D
SCALE		NTS		SOLIDWORKS		SHEET 2 OF 2			