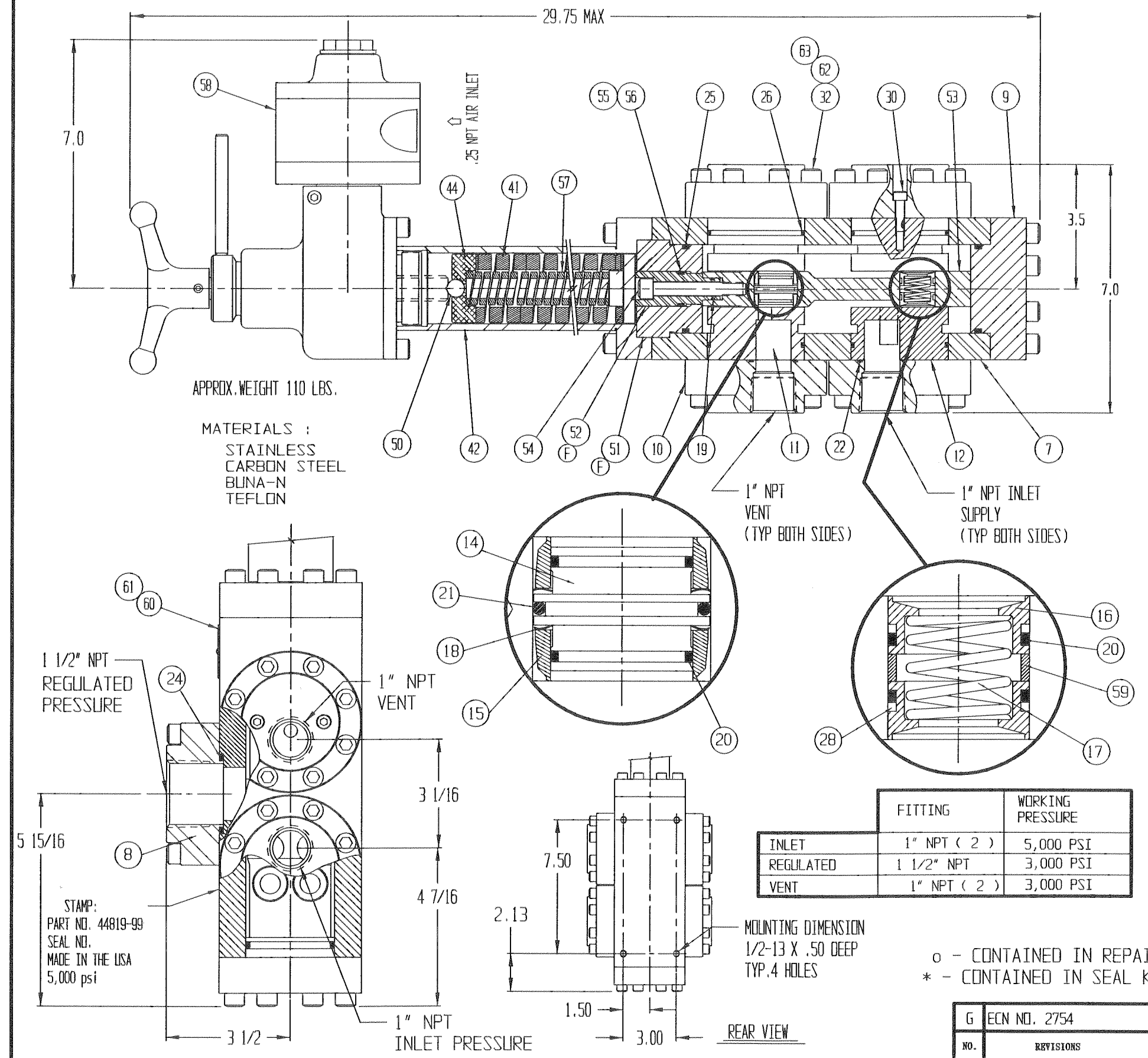


U.S. PAT NO. 3,917,220



ITEM	PART NO.	DESCRIPTION	REQ. Q.
7	33013	VALVE BODY	1
8	23175	FLANGE	1
9	12994	BOTTOM FLANGE	1
10	23749	FLANGE	4
o 11	22432	FLOW PORT	2
o 12	22433	FLOW PORT	2
o 14	11708	VALVE CAGE	1
o 15	11709	DUMP SEAL	2
o 16	11420	SEAL RING	4
o 17	11438	COMPRESSION SPRING	2
o 18	18720-002	SPRING WASHER	2
* o 19	18100-006B	O-RING	1
* o 20	18100-003B	O-RING	6
* o 21	18100-057C	O-RING	1
* o 22	18100-002C	O-RING	4
* o 24	18100-102B	O-RING	1
* o 25	18100-101B	O-RING	2
* o 26	18100-051B	O-RING	4
* o 28	18110-002T	BACK-UP RING	4
* o 30	18221-005G	SOC. HD. CAP SCR. NYLON, 1/4-20 X 7/8 LG.	8
32	18220-002A	SOC. HD. CAP SCR., 3/8-16UNC X 1 1/2 LG.	56
41	11605-2	COMPRESSION SPRING (YELLOW)	1
42	22620	ADJUSTMENT HEAD ASS'Y	1
43	11442	SPRING PLATE	1
44	12518	TOP SPRING GUIDE	1
51	13242	CYLINDER	1
52	13241	PISTON	1
53	24005	SEAL CONTAINER	1
54	18220-019A	SOC. HD. CAP SCR. 3/8-16UNC X 2 1/2 LG.	1
* o 55	18100-074B	O-RING	1
* o 56	18110-115T	BACK-UP RING	1
57	11604	COMPRESSION SPRING (YELLOW)	1
58	33071	VALVE ACTUATOR ASS'Y	1
o 59	12109	SPACER	2
60	12225	NAME TAG	1
61	21082-002	SCREW, DRIVE	2
62	25822	ANTI SEIZE	A/R
* o 63	25822-1	ANTI SEIZE	3

	FITTING	WORKING PRESSURE
INLET	1" NPT (2)	5,000 PSI
REGULATED	1 1/2" NPT	3,000 PSI
VENT	1" NPT (2)	3,000 PSI

NAME OF PART
VALVE, REGULATOR WITH
DAMPER (1,000-3,000 PSI)
HYDRAULIC PRESSURE

GILMORE VALVE COMPANY
HOUSTON, TEXAS

DATE - 5-22-84	REFERENCE
SCALE - NTS	
DR. BY - JOSE	DRAWING NO.
C'K'D BY - TMB 5/6/99	44819-99
APP'D BY -	

o - CONTAINED IN REPAIR KIT: 44819-99RK
* - CONTAINED IN SEAL KIT: 44819-99SK

G	ECN NO. 2754	12/23/03	JOSE	12/30/03
NO.	REVISIONS	DATE	DR.	CK.

STAMP:
PART NO. 44819-99
SEAL NO.
MADE IN THE USA
5,000 psi