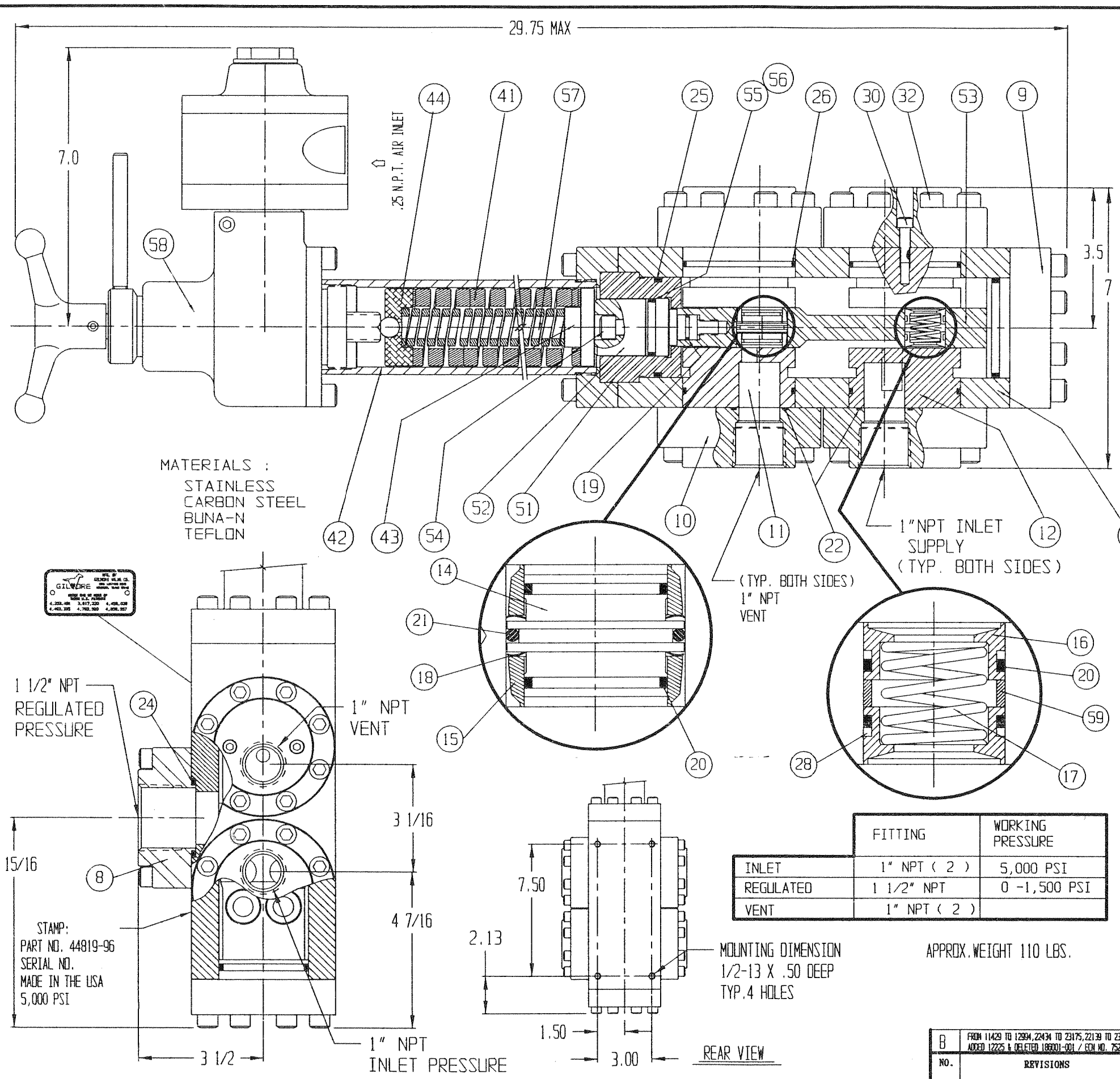
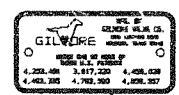


ORIGINAL FOUND
 REPLACEMENT COPY
 APPD [Signature]
 DATE 8/22/95



MATERIALS :
 STAINLESS
 CARBON STEEL
 BUNA-N
 TEFLON



STAMP:
 PART NO. 44819-96
 SERIAL NO.
 MADE IN THE USA
 5,000 PSI

	FITTING	WORKING PRESSURE
INLET	1" NPT (2)	5,000 PSI
REGULATED	1 1/2" NPT	0 -1,500 PSI
VENT	1" NPT (2)	

ITEM	PART NO.	DESCRIPTION	REQ. Q.
7	33013	VALVE BODY	1
8	23175	FLANGE	1
9	12994	BOTTOM FLANGE	1
(B) 10	23749	FLANGE	4
o 11	22432	FLOW PORT	2
o 12	22433	FLOW PORT	2
o 14	11708	VALVE CAGE	1
o 15	11709	DUMP SEAL	2
o 16	11420	SEAL RING	4
o 17	11438	COMPRESSION SPRING	2
o 18	18720-002	SPRING WASHER	2
* o 19	18100-006B	O-RING, 5/8 X 1/2 X 1/16	1
* o 20	18100-003B	O-RING, 1.0 X 7/8 X 1/16	6
* o 21	18100-057C	O-RING, 1-1/4 X 1-1/16 X 3/32	1
* o 22	18100-002C	O-RING, 1-3/8 X 1-1/4 X 3/32	4
* o 24	18100-102B	O-RING, 2-1/4 X 2.0 X 1/8	1
* o 25	18100-101B	O-RING, 2-1/2 X 2-1/4 X 1/8	2
* o 26	18100-051B	O-RING, 2-3/4 X 2-9/16 X 3/32	4
* o 28	18110-002T	BACK-UP RING, 1.0 X 7/8	4
* o 30	18221-005G	SOE. HD. CAP SCR. NYLON, 1/4-20 X 7/8 LG.	8
32	18220-002A	SOE. HD. CAP SCR., 3/8-16UNC X 1 1/2 LG.	56
41	11605-2	COMPRESSION SPRING (YELLOW)	1
42	22620	ADJUSTMENT HEAD ASS'Y	1
43	11442	SPRING PLATE	1
44	12518	TOP SPRING GUIDE	1
(B) 51	12742	CYLINDER	1
52	12741	PISTON	1
53	23690	SEAL CONTAINER	1
54	18220-019A	SOE. HD. CAP SCR. 3/8-16UNC X 2 1/2 LG.	1
* o 55	18100-070B	O-RING, 1-7/16 X 1-1/4 X 3/32	1
* o 56	18110-128T	BACK-UP RING, 1-7/16 X 1-1/4	1
57	11604	COMPRESSION SPRING (YELLOW)	1
58	33071	VALVE ACTUATOR ASS'Y	1
o 59	12109	SPACER	2
(B) 60	12225	NAMETAG	1

U.S. PAT NO. 3,917,220
 o - CONTAINED IN REPAIR KIT: 44819-96RK
 * - CONTAINED IN SEAL KIT: 44819-96SK

NAME OF PART HYDRAULIC PRESSURE REGULATOR (0-1500PSI)

GILMORE VALVE COMPANY
 HOUSTON, TEXAS

DATE - 11/5/91	REFERENCE
SCALE - NONE	
DR. BY - JOSE	DRAWING NO.
C'K'D BY -	44819-96
APP'D BY -	

NO.	REVISIONS	DATE	DR.	CK.
B	FROM 11429 TO 12994, 22434 TO 23175, 22139 TO 23749 ADDED 12225 & DELETED 186001-001 / EOH NO. 752	1-29-98	JOSE	