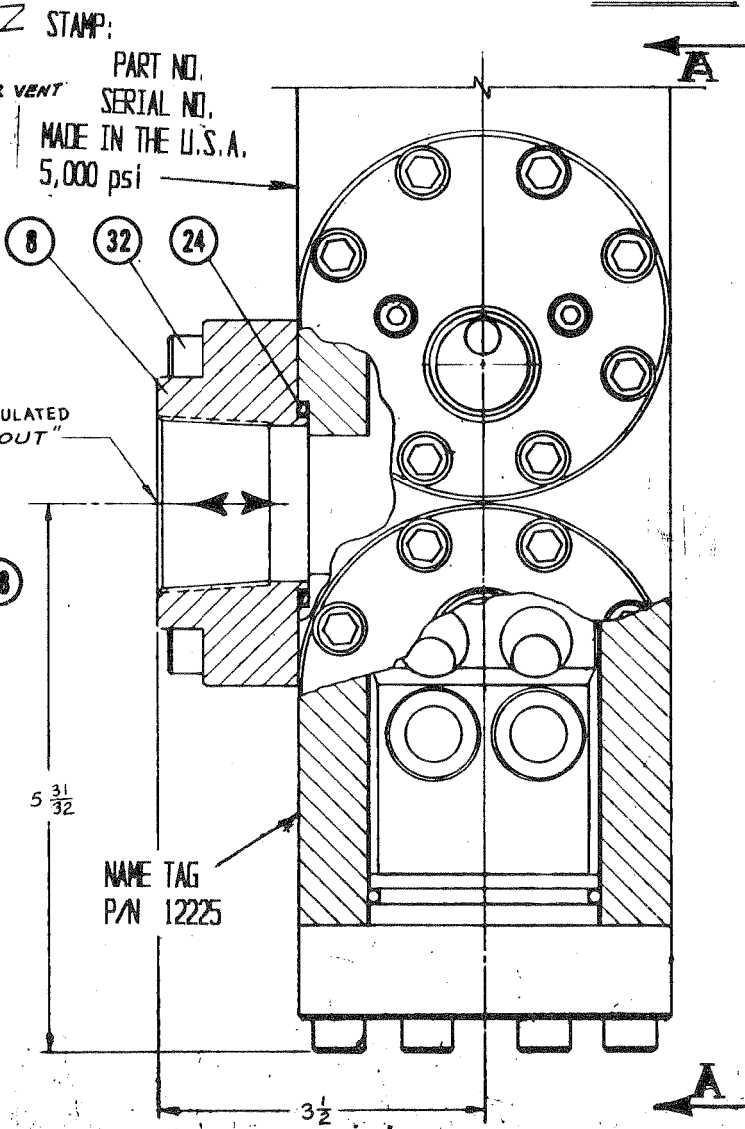
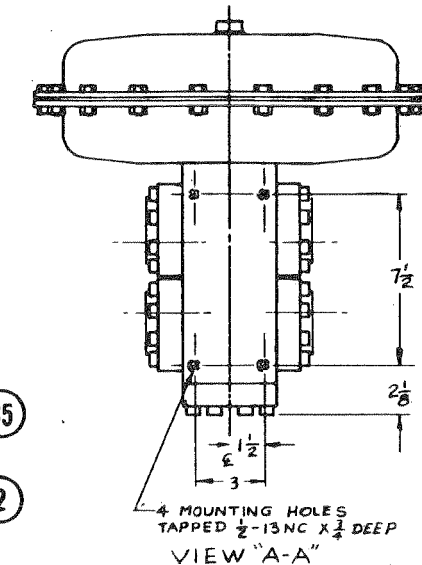
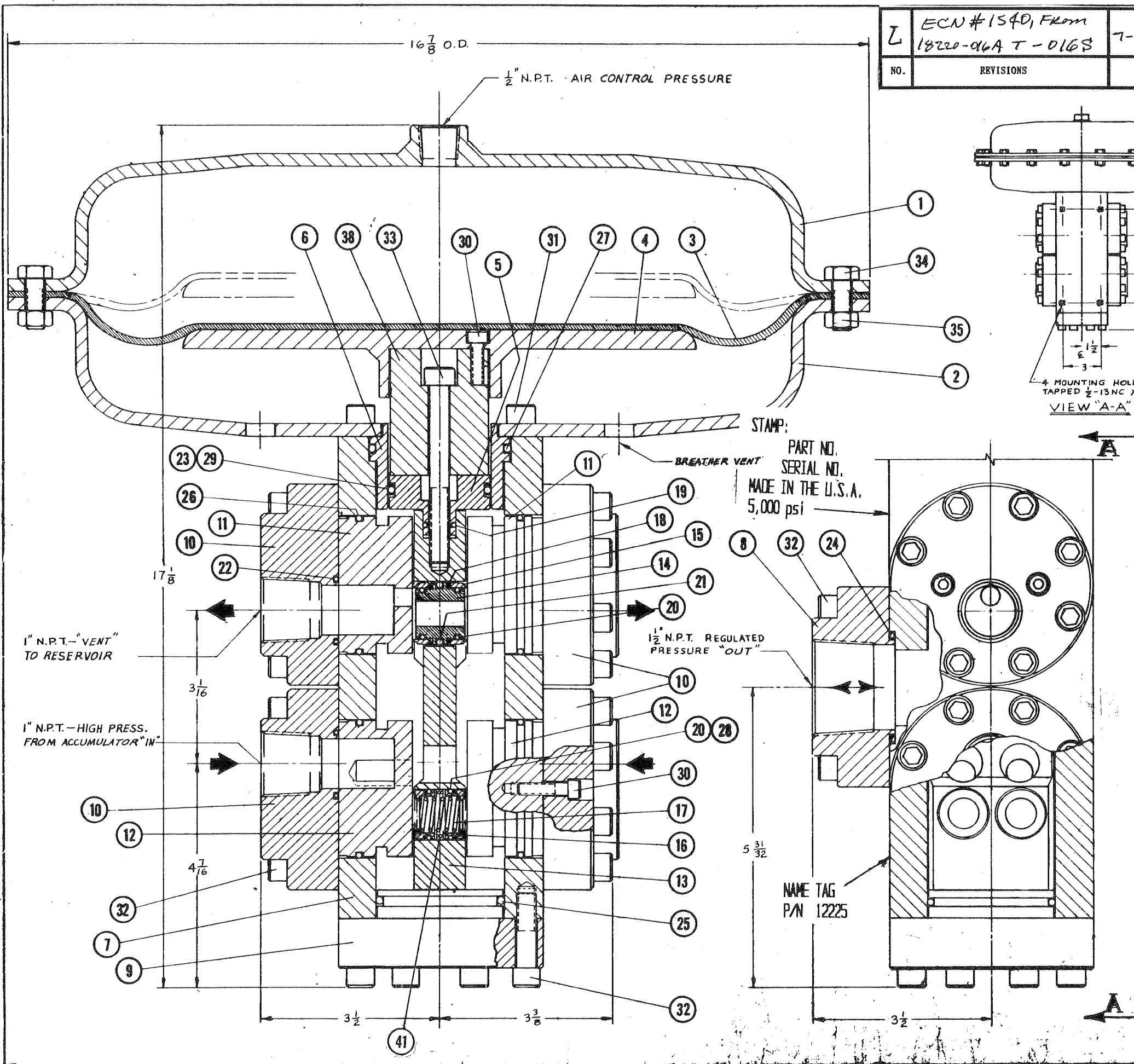


PARTS LIST

L ECN # 1540, From 18220-06A T-016S		7-14-99	jos	RA
NO.	REVISIONS	DATE	DR.	CK.

ITEM	PART NO.	DESCRIPTION	REQ. D.
1	22429	TOP DIAPHRAGM COVER	1
2	22430	BOTTOM DIAPHRAGM COVER	1
3	11710	DIAPHRAGM	1
4	22435	DIAPHRAGM PLATE	1
5	11711	PLINGER	1
6	11707	PLINGER GUIDE	1
7	33013	VALVE BODY	1
8	23175	FLANGE	1
9	12994	FLANGE	1
10	23749	FLANGE	4
11	22432	FLOW PORT	2
12	22433	FLOW PORT	2
13	23007	SEAL CONTAINER	1
14	11708	VALVE CAGE	1
15	11709	DUMP SEAL	2
16	11420	SEAL RING	4
17	11438	SPRING	2
18	18720-002	SPRING WASHER	2
19	18100-006B	"O"RING	1
20	18100-003B	"O"RING	6
21	18100-057C	"O"RING	1
22	18100-002C	"O"RING	4
23	18100-105B	"O"RING	1
24	18100-102B	"O"RING	1
25	18100-101B	"O"RING	1
26	18100-051B	"O"RING	4
27	18100-114B	"O"RING	1
28	18110-002T	BACK-UP RING	4
29	18100-224T	BACK-UP RING	2
30	18221-005G	SO. HD. CAP SCR. 1/4 - 20 X 7/8 LG.	9
31	18220-020A	SO. HD. CAP SCR. 3/8-16 -16 X 3/4	8
32	18220-022A	SO. HD. CAP SCR. 3/8 -16 X 1 1/2 LG.	48
33	18220-016S	SO. HD. CAP SCR., 3/8-16 X 3 1/2 LG.	1
34	20040-004D	HEX HD. CAP SCR., 3/8-16 X 1 LG.	18
35	18230-003	HEX NUT, 3/8-16	18
36	11706	SPACER	1
41	12109	SPACER	2



44800-5RK ● REPAIR KIT
 44800-5SK ● SEAL KIT
 42 12225 NAME TAG

U.S. PAT. NO. 3,917,200

	FITTING	WORKING PRESSURE
INLET	1" N.P.T.	5,000 PSI
REGULATED	1 1/2" N.P.T.	3,000 PSI
VENT	1" N.P.T.	~
GAGE PORT	~	~

MATERIALS:
 STAINLESS CARBON STEEL
 BUNA-N
 TEFLON
 107 LBS.

Cv: SUPPLY = 14.9
 VENT = 4.1

ASSEMBLY PROCEDURE:
 GVCP-0067

TEST PROCEDURE:
 GVCP-0068

GILMORE VALVE CO.		HOUSTON, TEXAS 77081	
5719 GREEN ASH	DATE: 1-1	APPROVED BY:	DRAWN BY: EGS
DATE: 6-21-77	REVISED		
1 1/2" HYDRO-AIR PRESSURE REGULATOR			
1 1/2" INCH AKR VALVE			44800-5