

FOR SECONDARY PRESSURE GAGE REMOVE  
PIPE PLUG P/N 18601-008 ITEM 34

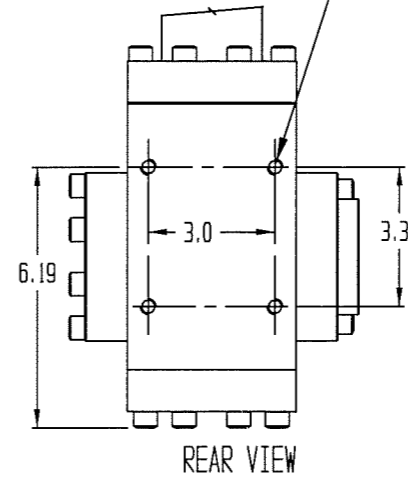
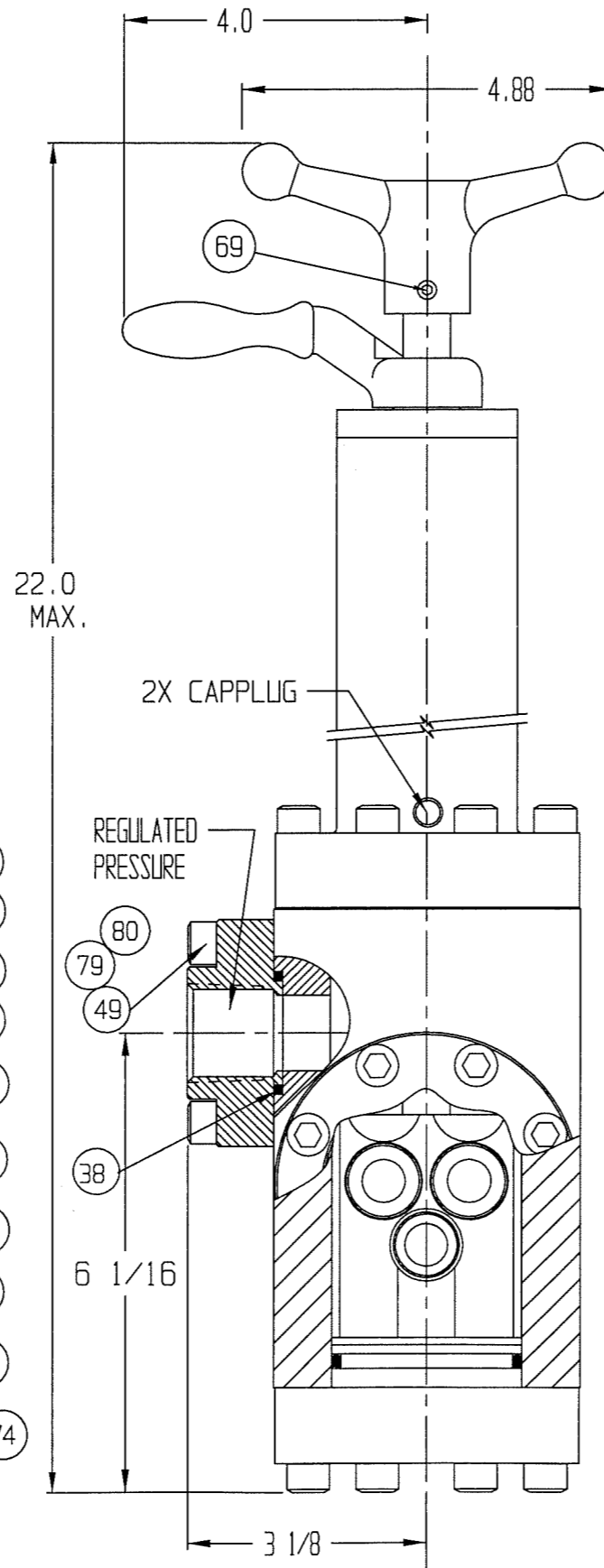
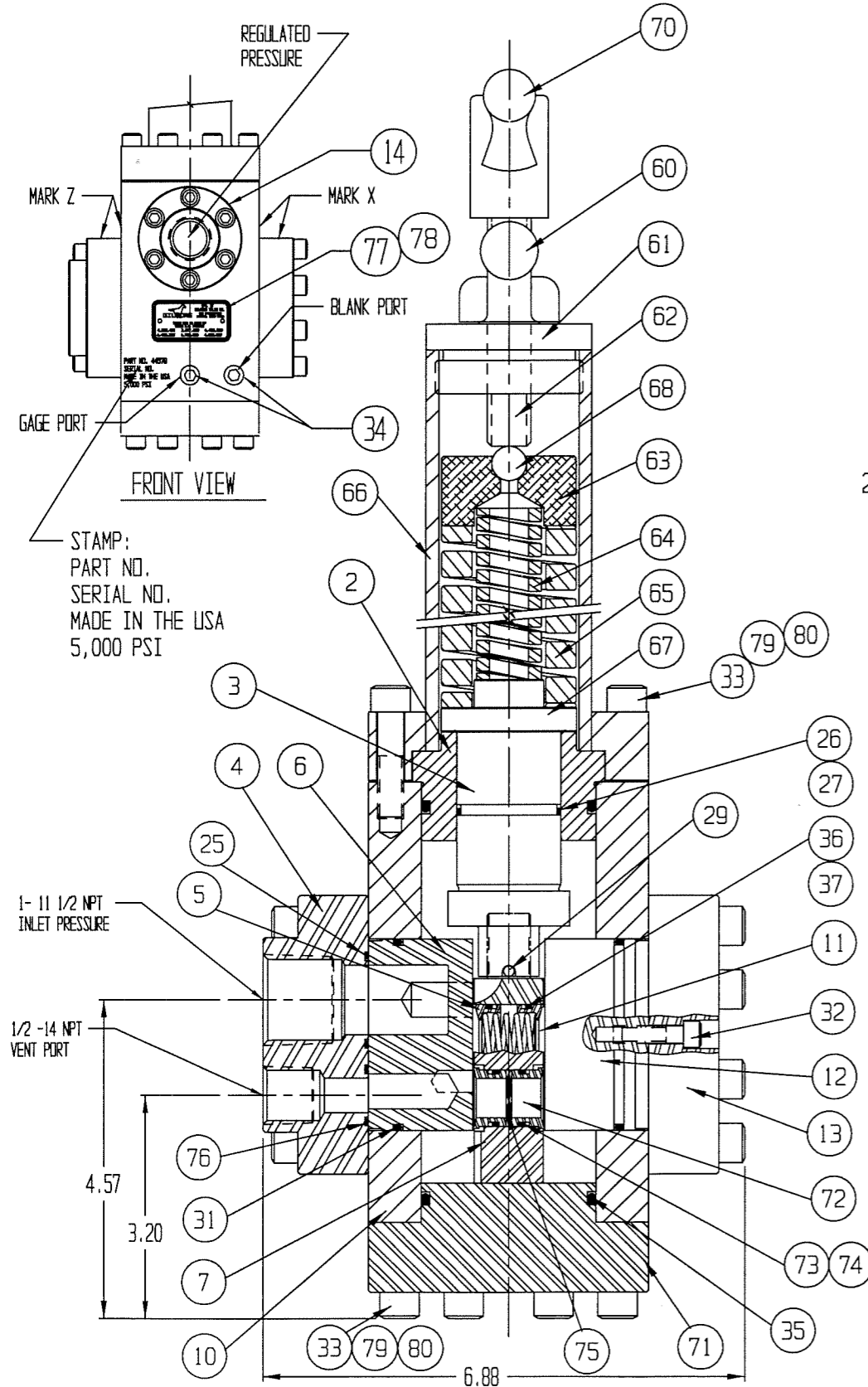
NOTE:  
1. SEAL CONTAINER & PLUNGER ASS'Y P/N 23641

ITEM	DESCRIPTION	PART NUMBER	REQ'D.
2	PLUNGER GUIDE	12710	1
3	PLUNGER (SEE NOTE:1)	12711	1
4	FLANGE	23290	1
o 5	SEAL RING	11420	4
o 6	FLOWPORT	22554	1
7	SEAL CONTAINER (SEE NOTE:1)	22320	1
10	BODY	33006	1
o 11	COMPRESSION SPRING	11438	2
o 12	PLATE	22141	1
13	FLANGE	12995	1
14	FLANGE	12319	1
*o 25	*O-RING	18100-002B	1
*o 26	*O-RING	18100-038B	1
*o 27	BACKUP RING	18110-020T	1
29	SPRING PIN	18510-003	1
*o 31	*O-RING	18100-051B	2
*o 32	SOCKET HEAD CAP SCREW 1/4-20X.88LG.	18221-005G	4
33	SOCKET HEAD CAP SCREW 3/8-16X1.5LG.	18220-002A	32
34	PIPE PLUG	18601-008	2
*o 35	*O-RING	18100-101B	2
*o 36	*O-RING	18100-003B	4
*o 37	BACKUP RING	18110-002T	4
*o 38	*O-RING	18100-103B	1
49	SOCKET HEAD CAP SCREW 3/8-16X1.25LG.	18220-001A	6
60	LOCK HANDLE	11223	1
61	SEALING PLUG	11446	1
62	ADJUSTING SCREW	11052	1
63	TOP SPRING GUIDE	11448	1
64	COMPRESSION SPRING (YELLOW)	11604	1
65	COMPRESSION SPRING (YELLOW)	11605-2	1
66	ADJUSTMENT HEAD ASS'Y	22620	1
67	SPRING PLATE	11442	1
68	STEEL BALL, 1/2 DIA.	18800-001	1
69	SET SCREW, .25- 20 X .375LG.	18240-001	2
70	BALL HANDLE	22150	1
71	FLANGE	12994	1
o 72	SEAL RING	11512	2
*o 73	*O-RING	18100-009B	2
*o 74	BACKUP RING	18110-005T	2
o 75	WAVE SPRING	18701-001	1
*o 76	*O-RING	18100-007B	1
77	NAME TAG	12225	1
78	DRIVE SCREWS	21082-002	2
79	ANTI SEIZE	25822	A/R
*o 80	ANTI SEIZE	25822-1	2

MATERIALS :  
STAINLESS  
CARBON STEEL  
BRASS  
BUNA - N  
TEFLON

WITH S.S. BODY, FLANGES AND  
INTERNALS

MOUNTING HOLES  
3/8 - 16 X 9/16 DEEP  
4 PLACES



o--- REPAIR KIT: REG-44579 RK  
\*--- SEAL KIT : REG-44579 SK

EST. WT. 50 LBS.

Cv SUPPLY = 9.4  
Cv VENT = 1.4

	FITTING SIZE	WORKING PRESSURE
INLET	1 - 11 1/2 NPT	5,000 psi
REGULATED	1 - 11 1/2 NPT	0 -1,500 psi
VENT	1/2 - 14 NPT	AMBIENT
GAGE PORT	3/8 - 18 NPT	1,500 psi

NAME OF PART	
HYDRAULIC PRESSURE REGULATOR	
GILMORE VALVE COMPANY HOUSTON, TEXAS	
DATE - 7/1/94	REFERENCE
SCALE - FULL	
DR. BY - JOSE'	DRAWING NO.
C'K'D BY -	44579
APP'D BY -	

C	ECN 2804	6/7/04	JOSE	BJW
NO.	REVISIONS	DATE	DR.	CK.