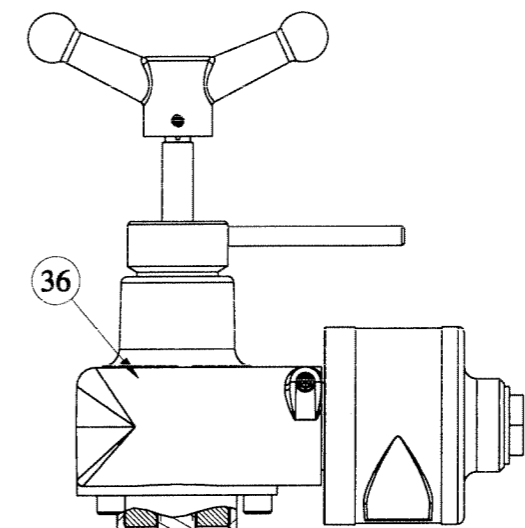
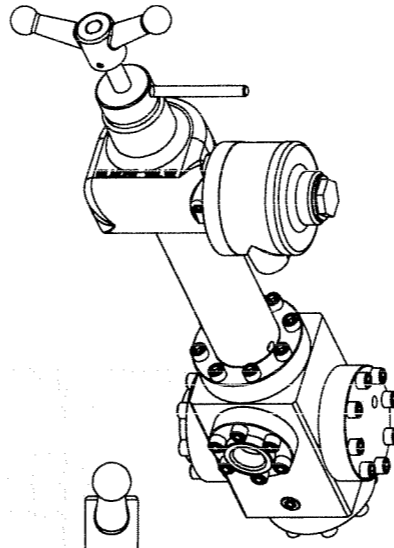
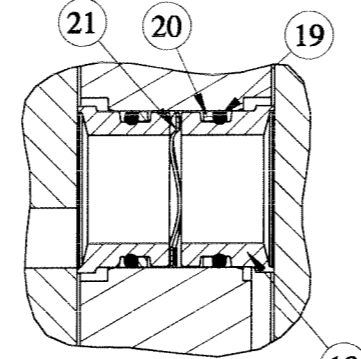
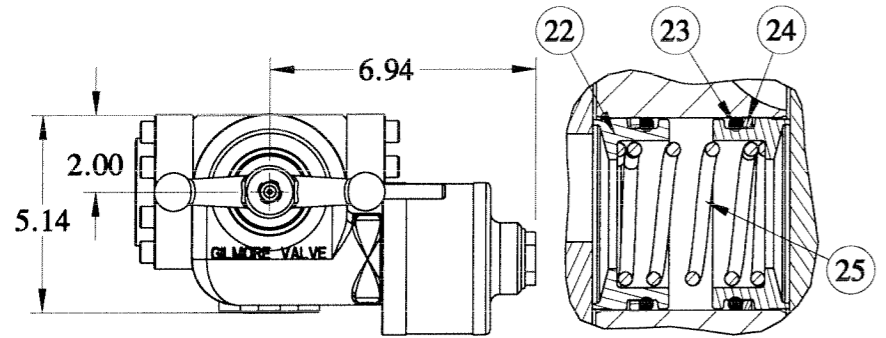


REV	ECN/ERN NO.	DRWN	CHKD	APPD
H	ECN 3116	ICH 01/09/07	5501/11/07	5501/11/07



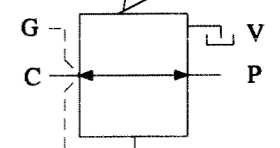
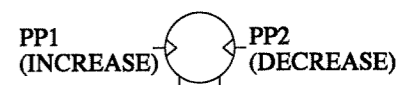
MAX WORKING PRESSURE
 SUPPLY - 5,000 PSI
 REGULATED - 1,500 PSI
 VENT - 3,000 PSI
 GAGE - 1,500 PSI
 AIR INLET - 100 PSI

PORTS
 SUPPLY, P - 1 NPT
 REGULATED, C - 1 NPT
 VENT, V - 1/2 NPT
 GAGE, G - 3/8 NPT
 AIR INLET, PP1, PP2 - 1/4 NPT

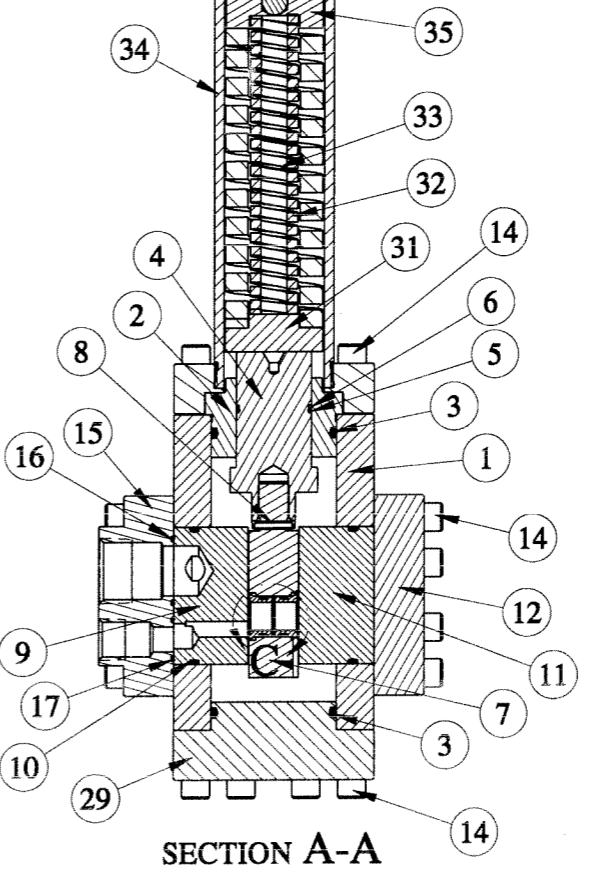
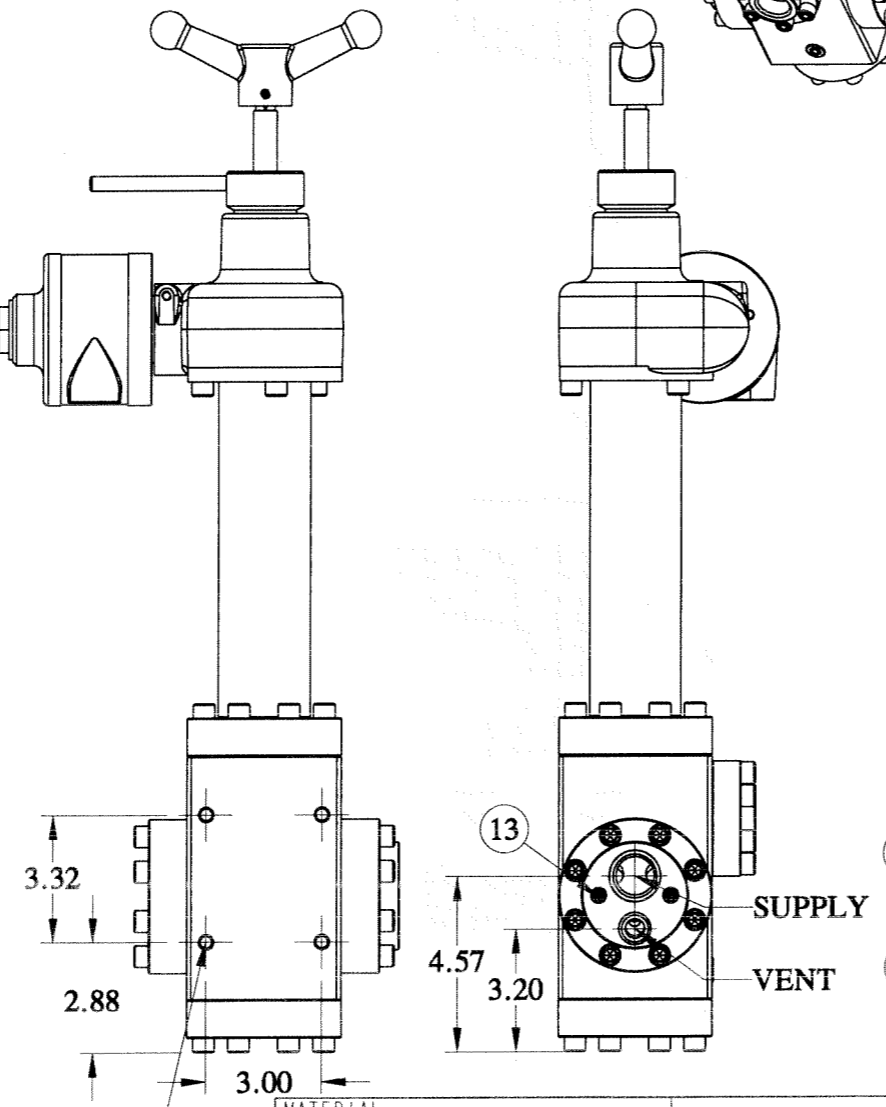
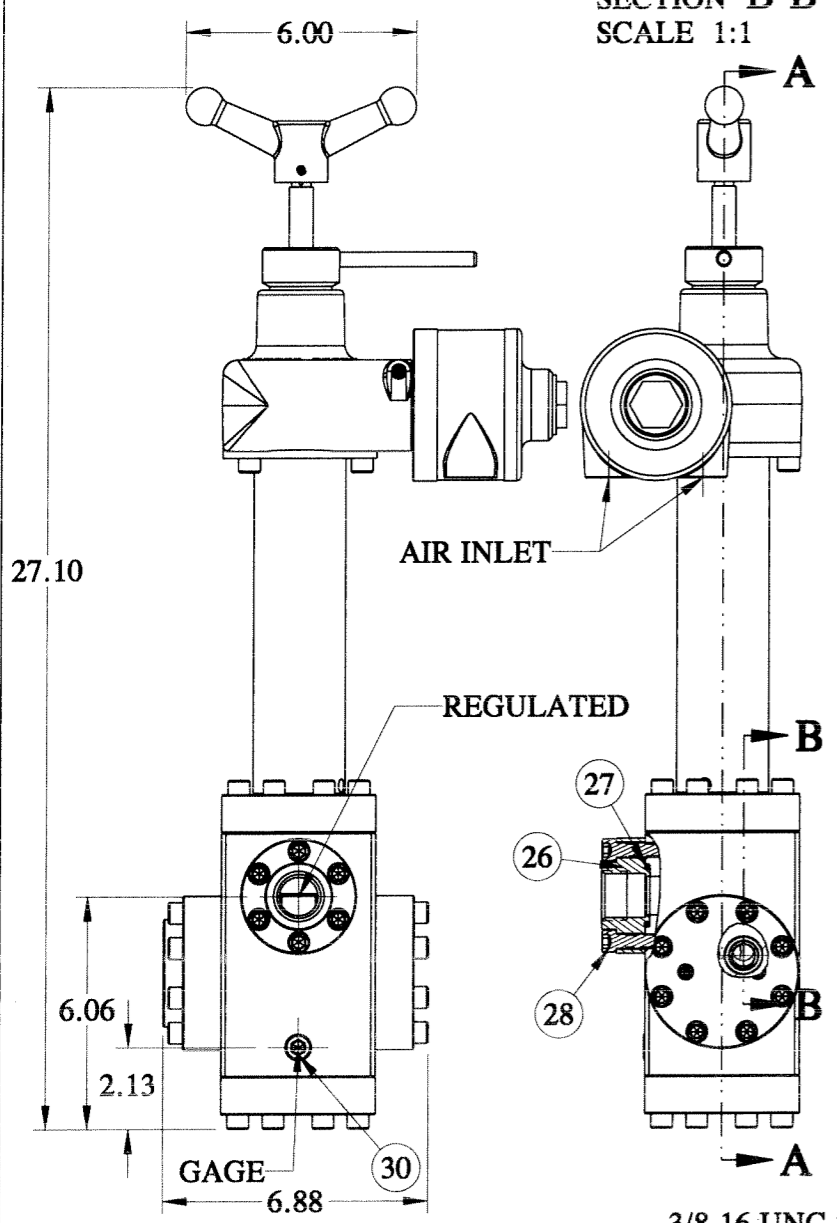
FLOW DATA
 Cv, SUPPLY TO REGULATED - 9.4
 Cv, REGULATED TO VENT - 1.4
 FLUIDS - WATER, MINERAL OIL BASED
 HYDRAULIC FLUIDS

GENERAL DATA
 TEMP RANGE - 20° F TO 200° F
 APPROX WEIGHT - 72 LBS
 FIELD SERVICEABLE

MATERIALS
 STAINLESS STEEL: BODY, PLUNGER GUIDE,
 ALL SEALING SURFACES
 CARBON STEEL: FLANGES



SCHEMATIC



SECTION A-A

3/8-16 UNC-2B X .52
 4 PLACES

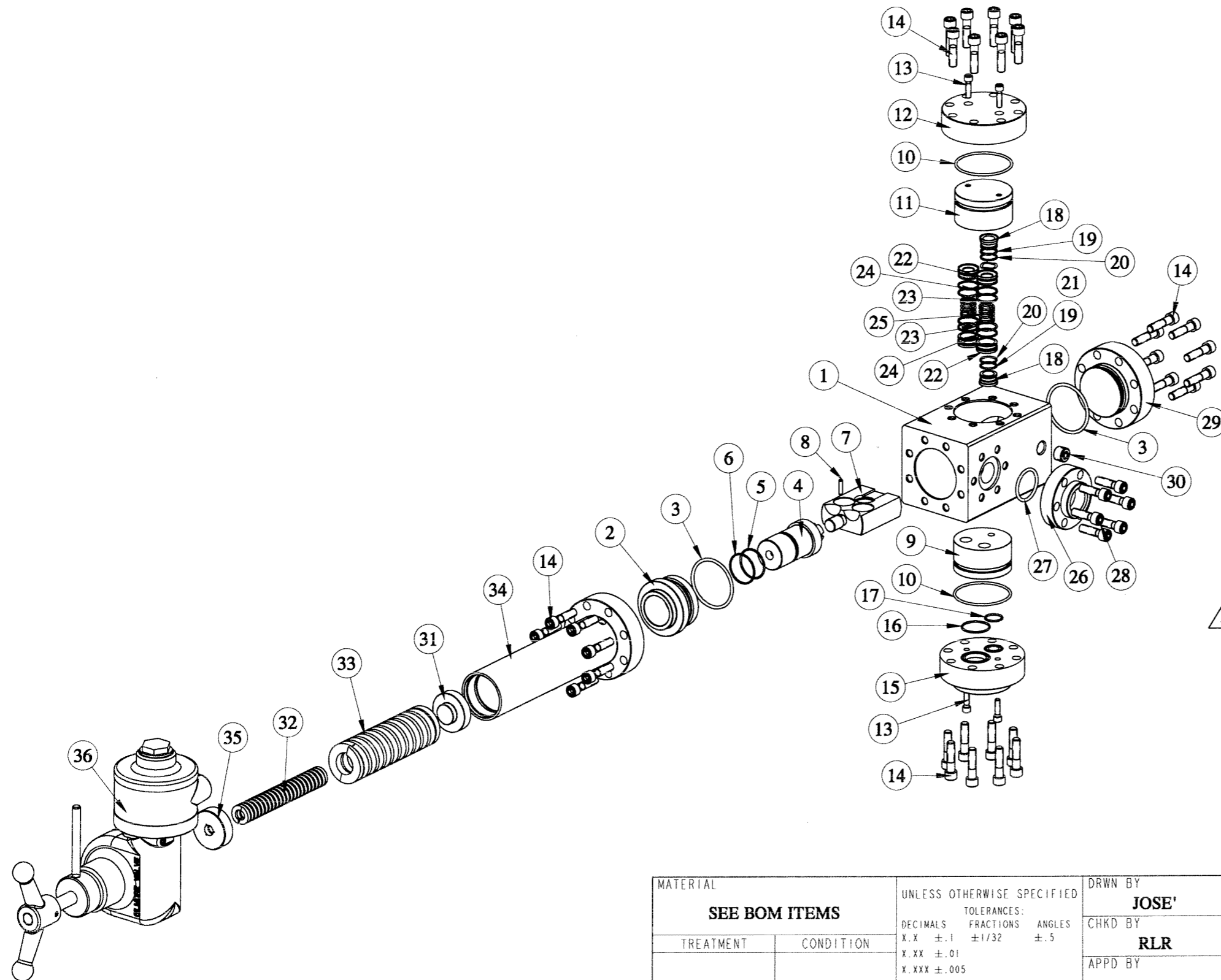
- NOTES:**
1. X, IN COLUMN RK, DEPICTS PARTS IN REPAIR KIT, 44579-99 RK.
 2. X, IN COLUMN SK, DEPICTS PARTS IN SEAL KIT, 44579-99 SK.
 3. REGULATOR SHOULD BE PAINTED WHEN PLACED INTO SERVICE.

MATERIAL		UNLESS OTHERWISE SPECIFIED		DRWN BY	DATE
SEE BOM ITEMS		TOLERANCES:		JOSE'	2/12/91
TREATMENT	CONDITION	DECIMALS	FRACTIONS	CHKD BY	DATE
		X.X ±.1	±1/32	RLR	
		X.XX ±.01		APPD BY	DATE
		X.XXX ±.005		ERN NO.	DATE
PROC. NO.		DEBURR BREAK SHARP EDGES .010 INTERNAL RADIUS .015 FINISH 65			
THE INFORMATION CONTAINED IN THIS DRAWING IS THE SOLE PROPERTY OF GILMORE VALVE CO. UNLESS OTHERWISE STATED, ANY REPRODUCTION IN PART OR WHOLE WITHOUT THE WRITTEN PERMISSION OF GILMORE VALVE CO. IS PROHIBITED.		DIMENSIONS ARE IN INCHES			
		DO NOT SCALE DRAWING			
		INTERPRET DIM. & TOL. PER ASME Y14.5M - 1994			

GILMORE VALVE CO. 1231 LUMPKIN RD. HOUSTON, TX 77043			
VALVE, REGULATOR HYDRAULIC PRESSURE, 1 NPT			
SIZE	DWG NO.	REV	
B	44579-99	H	
SCALE	PRO/ENGINEER	SHEET	1 OF 2
1:5			

REV	ECN/ERN NO.	DRWN	CHKD	APPD
H	ECN 3116	ICH 01/09/07	5/20/11/07	5/20/11/07

ITEM NO	QTY	PART NO	DESCRIPTION	RK	SK
1	1	33006	VALVE BODY		
2	1	12710	GUIDE, PLUNGER		
3	2	18100-101B	O-RING	X	X
4	1	12711	PLUNGER		
5	1	18100-038B	O-RING	X	X
6	1	18110-020T	BACKUP RING	X	X
7	1	22320	SEAL CONTAINER		
8	1	18510-005	SPRING PIN		
9	1	22554	FLOW PORT	X	
10	2	18100-051B	O-RING	X	X
11	1	22141	PLATE	X	
12	1	22138-2	FLANGE, BLIND		
13	4	18221-005G	SHCS, 1/4-20 UNC x 7/8	X	X
14	32	18220-002Z	SHCS, 3/8-16 UNC x 1-1/2		
15	1	22185	FLANGE, INLET		
16	1	18100-002B	O-RING	X	X
17	1	18100-007B	O-RING	X	X
18	2	11512	SEAL RING	X	
19	2	18100-009B	O-RING	X	X
20	2	18110-005T	BACKUP RING	X	X
21	1	18701-002	SPRING WASHER	X	
22	4	11420	SEAL RING	X	
23	4	18100-003B	O-RING	X	X
24	4	18110-002T	BACKUP RING	X	X
25	2	11438	SPRING	X	
26	1	11421	FLANGE, 1 NPT		
27	1	18100-103B	O-RING	X	X
28	6	18220-001Z	SHCS, 3/8-16 UNC x 1-1/4		
29	1	12994-5	FLANGE, BOTTOM		
30	1	18601-008	PLUG, 3/8 NPT, SH		
31	1	11442	SPRING GUIDE		
32	1	11604	SPRING		
33	1	11605-2	SPRING		
34	1	22620	ADJUSTMENT HEAD ASSY		
35	1	12518	TOP SPRING GUIDE		
36	1	33071	VALVE ACTUATOR		



MATERIAL SEE BOM ITEMS		UNLESS OTHERWISE SPECIFIED TOLERANCES: DECIMALS FRACTIONS ANGLES X.X ±.1 ±1/32 ±.5 X.XX ±.01 X.XXX ±.005		DRWN BY JOSE'	DATE 2/12/91	GILMORE VALVE CO. 1231 LUMPKIN RD. HOUSTON, TX 77043 VALVE, REGULATOR HYDRAULIC PRESSURE, 1 NPT	
TREATMENT	CONDITION	DEBURR BREAK SHARP EDGES .010 INTERNAL RADIUS .015 FINISH 63	CHKD BY RLR	DATE			
PROC. NO.		DIMENSIONS ARE IN INCHES DO NOT SCALE DRAWING INTERPRET DIM. & TOL. PER ASME Y14.5M - 1994	APPD BY	DATE			
THE INFORMATION CONTAINED IN THIS DRAWING IS THE SOLE PROPERTY OF GILMORE VALVE CO. UNLESS OTHERWISE STATED, ANY REPRODUCTION IN PART OR WHOLE WITHOUT THE WRITTEN PERMISSION OF GILMORE VALVE CO. IS PROHIBITED.			ERN NO.	DATE	SIZE B	DWG NO. 44579-99	REV H
					SCALE 9:50	PRO/ENGINEER	SHEET 2 OF 2