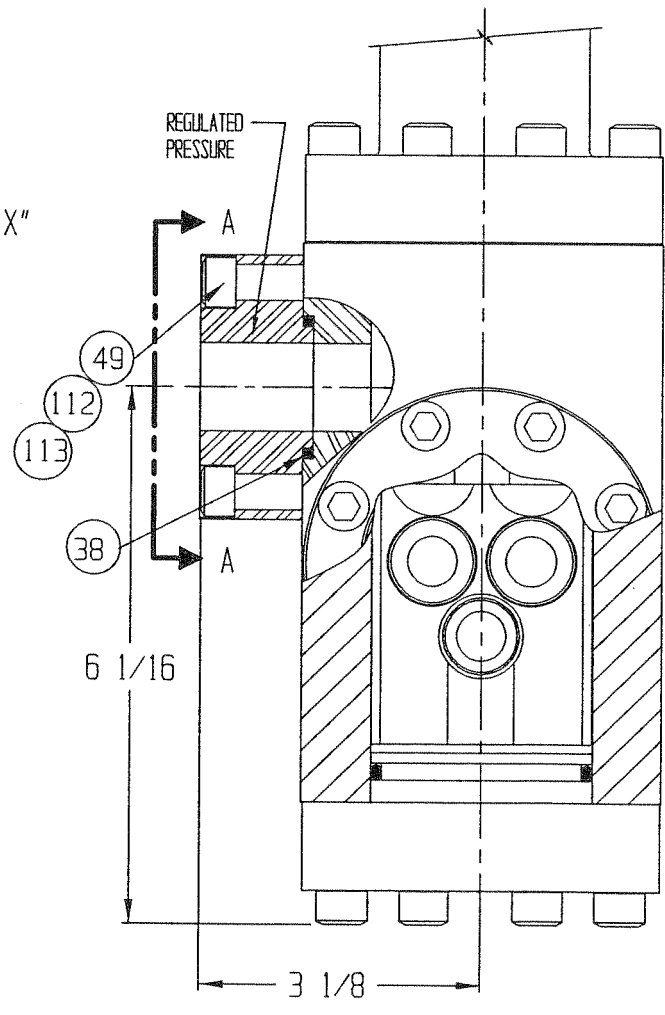
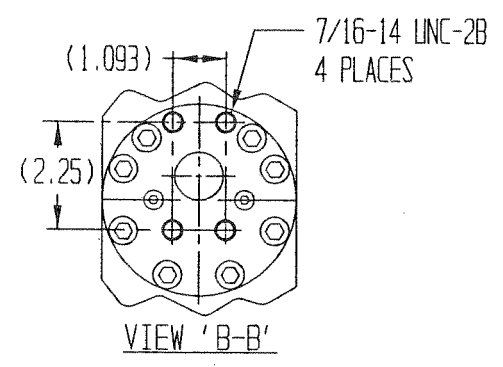
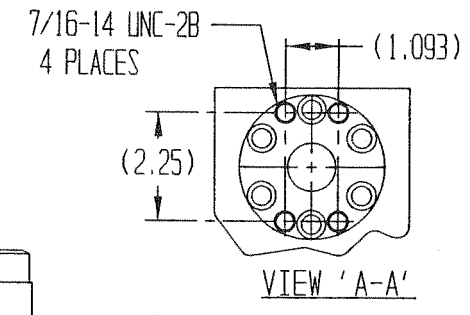


STAMP:
PART NO.
SERIAL NO.
MADE IN THE USA
5,000 PSI

FOR SECONDARY PRESSURE GAGE REMOVE
PIPE PLUG P/N 18601-008 ITEM 34



ITEM	PART NO.	DESCRIPTION	REQ'D
2	22619	PLUNGER GUIDE	1
3	22151	PLUNGER	1
4	23885	INLET FLANGE 1" SAE (6,000PSI)	1
o 5	11420	SEAL RING	4
o 6	22554	FLOW PORT	1
7	22187	SEAL CONTAINER	1
10	33006-7	BODY	1
o 11	11438	COMPRESSION SPRING	2
o 12	22141	PLATE	1
13	22138	BLANK FLANGE	1
14	13047	OUTLET FLANGE 1" SAE (6,000PSI)	1
o* 25	18100-002B	O-RING	1
o* 26	18100-001B	O-RING	1
o* 27	18110-001T	BACK-UP RING	1
28	18500-001	DOWEL PIN, .25 DIA. x .75 LONG	1
29	11900	RETAINER SLEEVE	1
o* 31	18100-051B	O-RING	2
o* 32	18221-005G	SOC. HD. CAP SCR., 1/4-20 x .88 LG.	4
33	18220-002A	SOC. HD. CAP SCR., 3/8-16 x 1.5 LG.	32
34	18601-008	PIPE PLUG, 3/8 N.P.T.	2
o* 35	18100-101B	O-RING	2
o* 36	18100-003B	O-RING	4
o* 37	18110-002T	BACK-UP RING	4
o* 38	18100-103B	O-RING	1
49	18220-001A	SOC. HD. CAP SCR., 3/8-16 x 1.25 LG.	6
63	12518	TOP SPRING GUIDE	1
64	11832	COMPRESSION SPRING (RED)	1
65	11668	COMPRESSION SPRING (RED)	1
66	22620	ADJUSTMENT HEAD ASSEMBLY	1
67	11442	SPRING PLATE	1
71	12994	BOTTOM FLANGE	1
o 72	11512	SEAL RING	2
o* 73	18100-009B	O-RING	2
o* 74	18110-005T	BACK-UP RING	2
o 75	18701-001	WAVE SPRING	1
o* 76	18100-007B	O-RING	1
77	33071	VALVE ACTUATOR ASSEMBLY	1
110	12225	NAME TAG	1
111	21082-002	SCREW, DRIVE	2
112	25822	ANTI-SEIZE	A/R
o* 113	25822-1	ANTI-SEIZE	1

o REPAIR KIT : 44577-96RK
* SEAL KIT : 44577-96SK

INDENT PIN RETAINER, ITEM 29, IN TWO PLACES 180° APART TO HOLD PIN, ITEM 28

MATERIALS :
STAINLESS
CARBON STEEL
BUNA - N
TEFLON
EST. WT. 57 LBS.

	PORT	WORKING PRESSURE
INLET	1" SAE 6,000	5,000 psi
REGULATED	1" SAE 6,000	300-3,000 ps
VENT	3/8-18 NPT	
GAGE PORT	3/8-18 NPT	

Cv SUPPLY = 9.4
Cv VENT = 1.4

NAME OF PART
1" SAE MANUAL HYDR. PRESSURE REGULATOR W/ PNEUMATIC FAILSAFE
GILMORE VALVE COMPANY
HOUSTON, TEXAS

DATE - 3-16-90	REFERENCE
SCALE - 46%	
DR. BY - JOSE'	DRAWING NO.
C'K'D BY -	44577-96
APP'D BY -	

NO.	REVISIONS	DATE	DR.	CK.
C	ECN 2470	8/9/02	JOSE'	dw