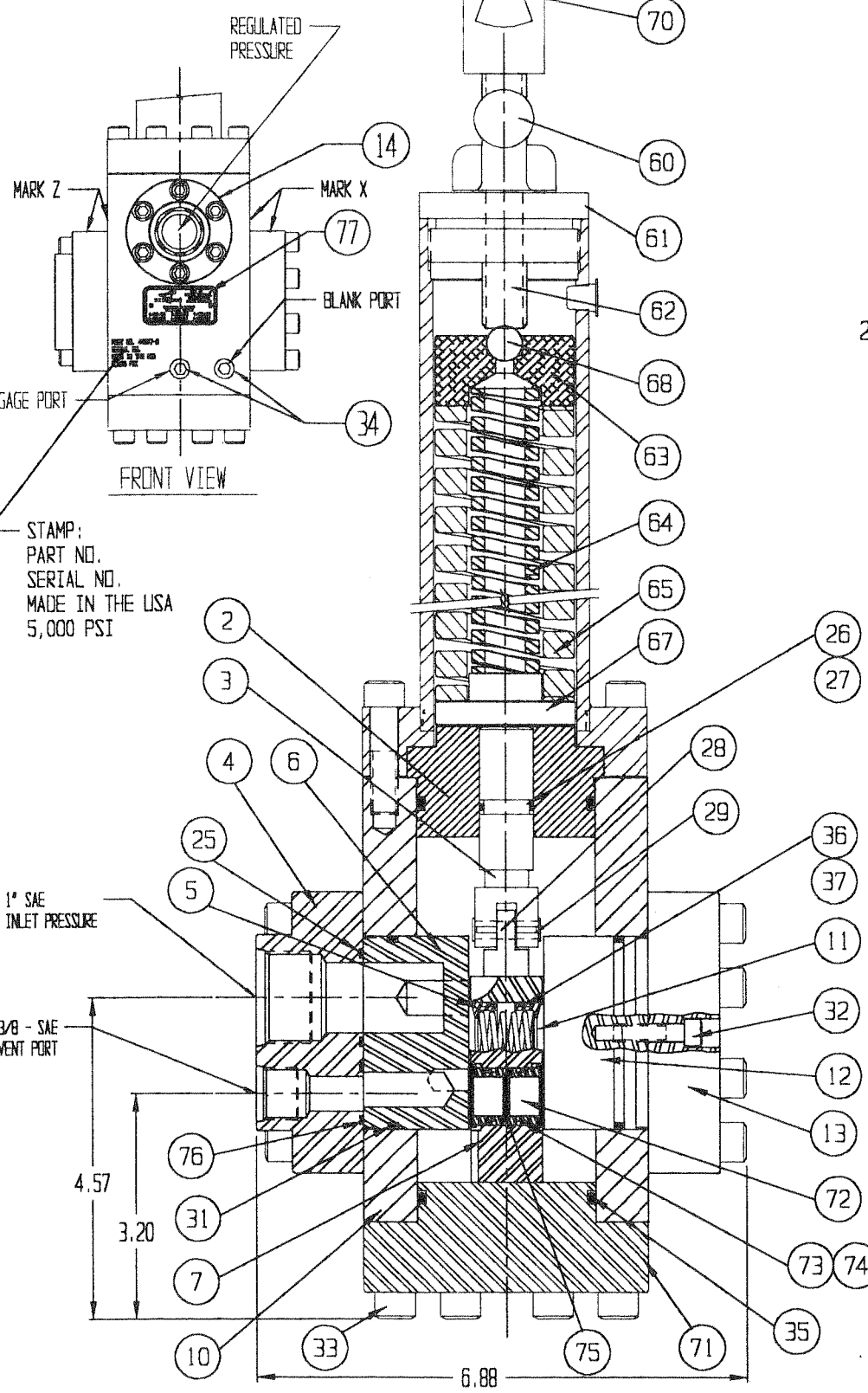
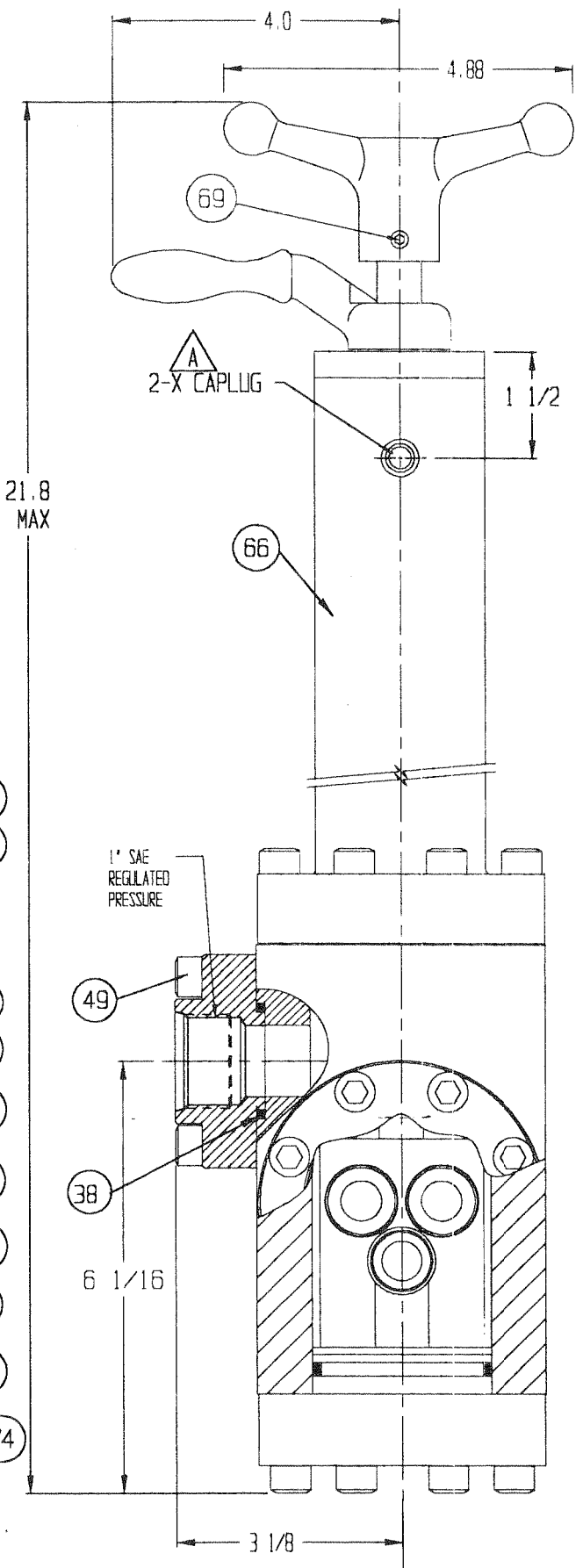


FOR SECONDARY PRESSURE GAGE REMOVE
PIPE PLUG P/N 18601-008 ITEM 34
INDENT RETAINER SLEEVE
ITEM 29 ON BOTH ENDS OF HOLE
FOR POSITIVE RETAINING



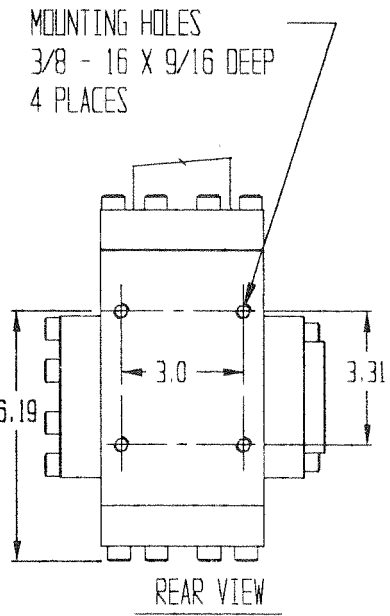
STAMP:
PART NO.
SERIAL NO.
MADE IN THE USA
5,000 PSI



*-- SEAL KIT : 44577-8SK
o-- REPAIR KIT: 44577-8RK

MATERIALS :
STAINLESS
CARBON STEEL
BLUNA - N
TEFLON

EST. WT. 50 LBS.



PARTS LIST

ITEM	PART NO.	DESCRIPTION	REQ'D.
2	22619	PLUNGER GUIDE	1
3	22151	PLUNGER STEM	1
4	12996	FLANGE 1" SAE	1
o 5	11420	SEAL RING	4
o 6	22554	FLOW PORT	1
7	22187	SEAL CONTAINER	1
10	33006	BODY	1
o 11	11438	COMPRESSION SPRING	2
o 12	22141	PLATE	1
13	22138	FLANGE	1
14	13060	OUTLET FLANGE 1"SAE	1
* o 25	18100-002B	O-RING, 1 3/8 X 1 1/4 X 1/16	1
* o 26	18100-001B	O-RING, 3/4 X 5/8 X 1/16	1
* o 27	18110-001T	BACK-UP RING, 3/4 X 5/8	1
28	18500-001	DOWEL PIN, 1/4 DIA. X 3/4 LG.	1
29	11900	PIN RETAINER	1
* o 31	18100-051B	O-RING, 2 3/4 X 2 9/16 X 3/32	2
* o 32	18221-005G	SOC. HD. CAP SCR., 1/4 - 20 X 7/8 LG.	4
33	18220-002A	SOC. HD. CAP SCR., 3/8-16 X 1 1/2 LG.	32
34	18601-008	PIPE PLUG, 3/8 NPT	2
* o 35	18100-101B	O-RING, 2 1/2 X 2 1/4 X 1/8	2
* o 36	18100-003B	O-RING, 1 X 7/8 X 1/16	4
* o 37	18110-002T	BACKUP RING, 1 X 7/8	4
* o 38	18100-103B	O-RING, 1 5/8 X 1 3/8 X 1/8	1
49	18220-001A	SOC. HD. CAP SCR., 3/8-16 X 1 1/4 LG.	6
60	11223	LOCK HANDLE	1
61	11446	SEALING PLUG	1
62	11052	ADJUSTING SCREW	1
63	11448	SPRING GUIDE	1
64	11832	COMPRESSION SPRING (RED)	1
65	11668	COMPRESSION SPRING (RED)	1
66	22620	ADJUSTMENT HEAD ASS'Y	1
67	11442	SPRING PLATE	1
68	18800-001	STEEL BALL, 1/2 DIA.	1
69	18240-003	SET SCREW, 1/4-20 X 3/8 LG.	2
70	22150	BALL HANDLE	1
71	12994	FLANGE	1
o 72	11512	SEAL RING	2
* o 73	18100-009B	O-RING, 13/16 X 11/16 X 1/16	2
* o 74	18110-005T	BACKUP RING, 13/16 X 11/16	2
o 75	18701-001	WAVE SPRING	1
* o 76	18100-007B	O-RING, 7/8 X 3/4 X 1/16	1
o 77	12225	NAME TAG	1

NOTE :
1.) SAME AS 44577-1 EXCEPT FOR SAE TUBING CONNECTIONS.

	FITTING SIZE	WORKING PRESSURE
INLET	1" SAE	5,000 psi
REGULATED	1" SAE	3,000 psi
VENT	3/8 - SAE	AMBIENT
GAGE PORT	3/8 - 18 NPT	3,000 psi

Cv SUPPLY = 9.4
Cv VENT = 1.4

NAME OF PART	
HYDRAULIC PRESSURE REGULATOR, 1" SAE	
GILMORE VALVE COMPANY HOUSTON, TEXAS	
DATE - 9-23-97	REFERENCE
SCALE - 46%	
DR. BY - JOSE'	DRAWING NO.
C'K'D BY - RLR	44577-8
APP'D BY -	

NO.	REVISIONS	DATE	DR.	CK.
A	ITEM 71 WAS 11420, REPLACED BY 12994. REVISED 1/4" NPT BLD. CONN., REPLACED W/ 2-X CAP. ADDED ITEM 77 (NAME TAG) 1/22/97 RLR	7/06/98	CWC	JOSE'