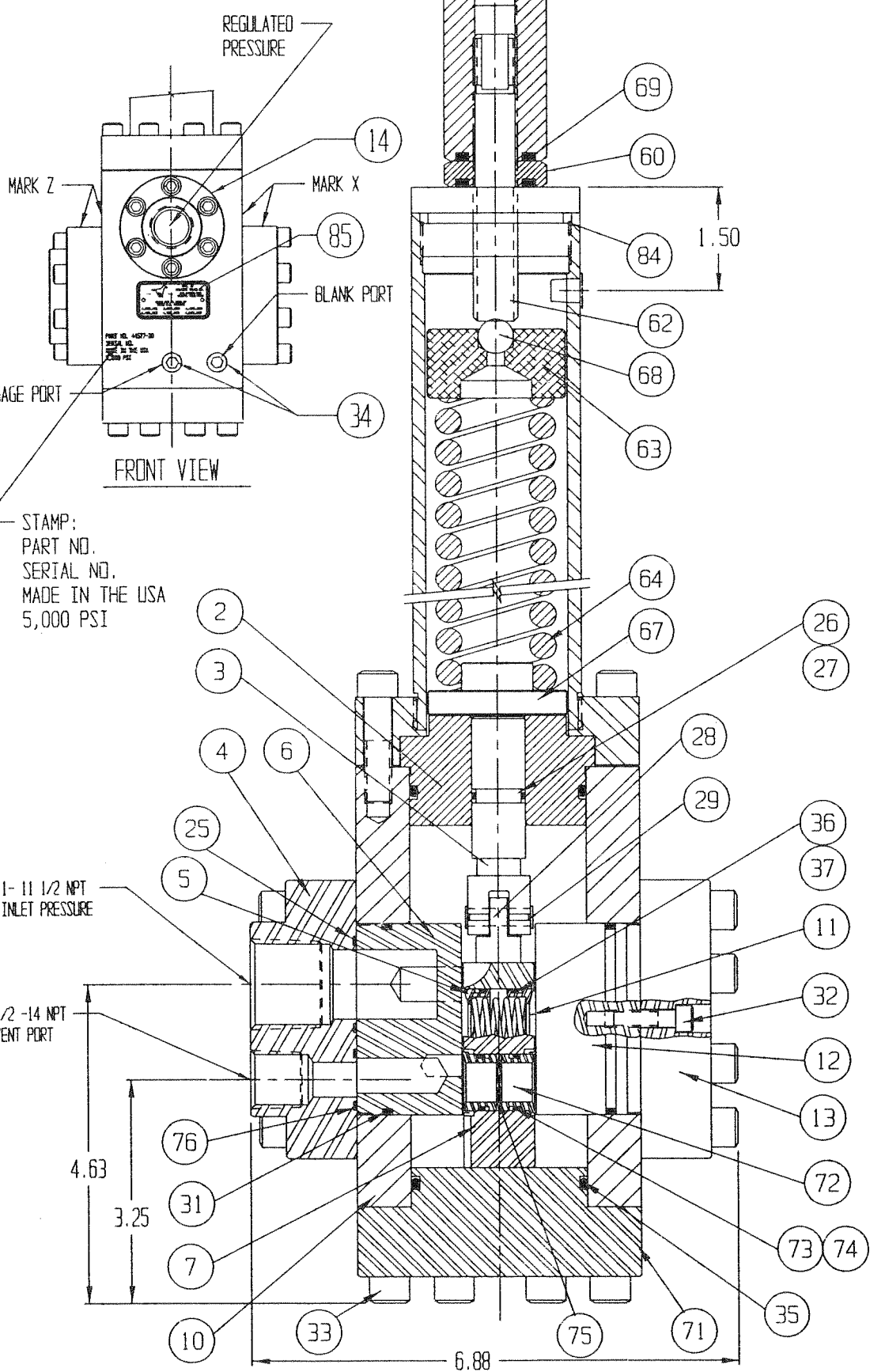


FOR SECONDARY PRESSURE GAGE REMOVE
PIPE PLUG P/N 18601-008 ITEM 34.
INDENT RETAINER SLEEVE
ITEM 29 ON BOTH ENDS OF HOLE
FOR POSITIVE RETAINING



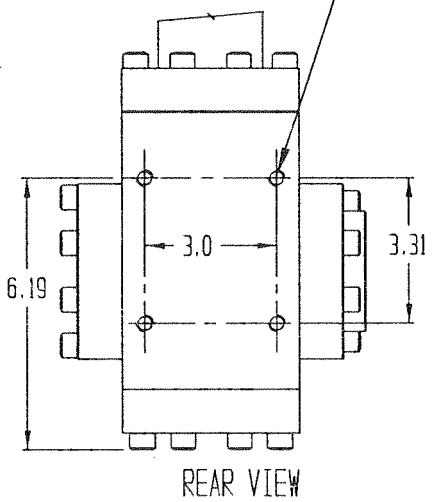
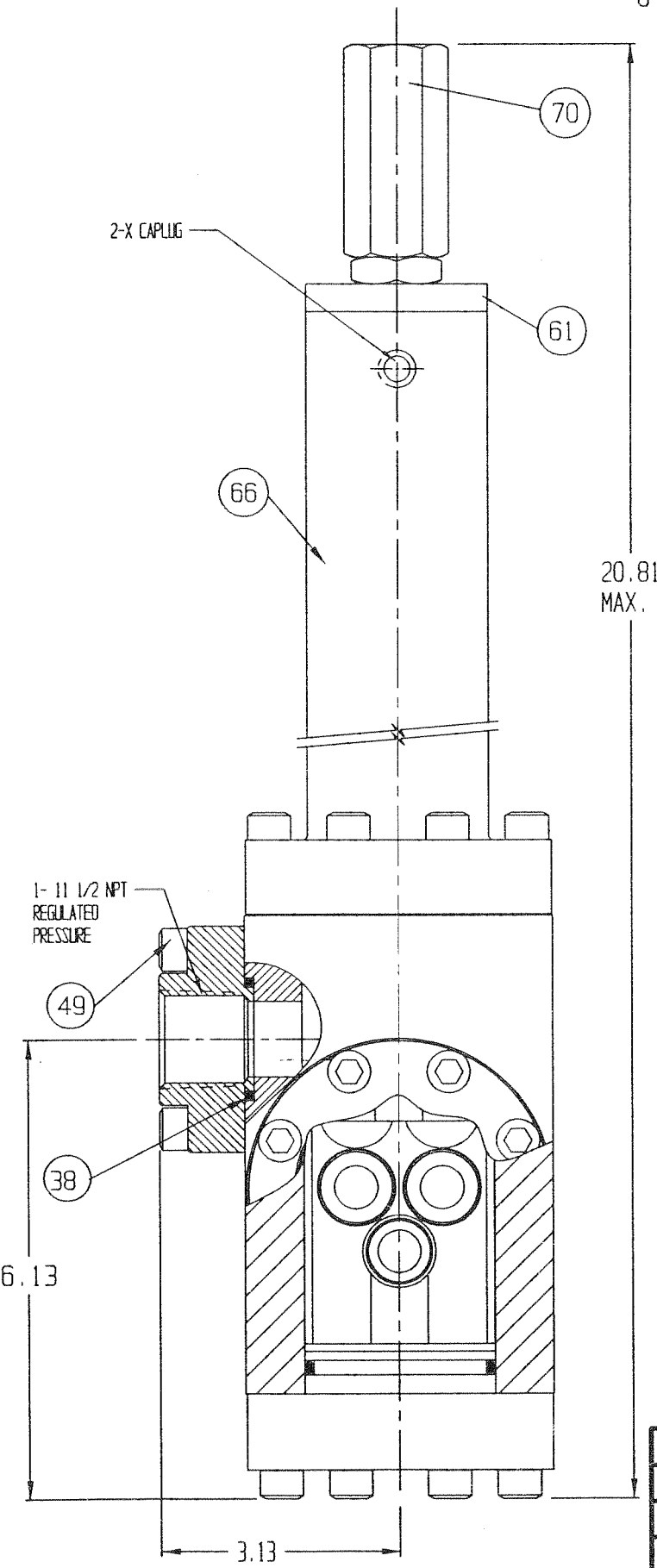
STAMP:
PART NO.
SERIAL NO.
MADE IN THE USA
5,000 PSI

*-- SEAL KIT : 44577-4SK
o-- REPAIR KIT: 44577-4RK

MATERIALS :
STAINLESS
BLNA - N
TEFLON

EST. WT. 50 LBS.

MOUNTING HOLES
3/8 - 16 X 9/16 DEEP
4 PLACES



	FITTING SIZE	WORKING PRESSURE
INLET	1" NPT	5,000 psi
REGULATED	1" NPT	3,000 psi
VENT	1/2 - 14 NPT	
GAGE PORT	3/8 - 18 NPT	

Cv SUPPLY = 9.4
Cv VENT = 1.4

PARTS LIST

ITEM	PART NO.	DESCRIPTION	REQ'D.
2	22619	PLUNGER GUIDE	1
3	22151	PLUNGER STEM	1
4	23290	FLANGE	1
o 5	11420	SEAL RING	4
o 6	22554	FLOW PORT	1
7	22187	SEAL CONTAINER	1
10	33094	BODY	1
o 11	11438	COMPRESSION SPRING	2
o 12	22141	PLATE	1
13	12995	FLANGE	1
14	11421	FLANGE	1
* o 25	18100-002B	O-RING, 1 3/8 X 1 1/4 X 1/16	1
* o 26	18100-001B	O-RING, 3/4 X 5/8 X 1/16	1
* o 27	18110-001T	BACK-UP RING, 3/4 X 5/8	1
28	18500-001	DOWEL PIN, 1/4 DIA. X 3/4 LG.	1
29	11900	PIN RETAINER	1
* o 31	18100-051B	O-RING, 2 3/4 X 2 9/16 X 3/32	2
* o 32	18221-005G	SDC. HD. CAP SCR., 1/4 - 20 X 7/8 LG.	4
33	18224-003	SDC. HD. CAP SCR., 3/8-16 X 1 1/2 LG.	32
34	18601-008	PIPE PLUG, 3/8 NPT	2
* o 35	18100-101B	O-RING, 2 1/2 X 2 1/4 X 1/8	2
* o 36	18100-003B	O-RING, 1 X 7/8 X 1/16	4
* o 37	18110-002T	BACK-UP RING, 1 X 7/8	4
* o 38	18100-103B	O-RING, 1 5/8 X 1 3/8 X 1/8	1
49	18224-002	SDC. HD. CAP SCR., 3/8-16 X 1 1/4 LG.	6
60	11580	LOCK NUT	1
61	11911	SEALING PLUG	1
62	11910	ADJUSTING SCREW	1
63	11913	SPRING GUIDE	1
64	11926	COMPRESSION SPRING (17-7)	1
66	23631	ADJUSTMENT HEAD ASS'Y	1
67	11912	SPRING PLATE	1
68	18800-001	STEEL BALL, 1/2 DIA.	1
* o 69	18100-113B	O-RING, 1 1/8 X 7/8 X 1/8	2
70	11567	LOCK CAP	1
71	12994	FLANGE	1
o 72	11512	SEAL RING	2
* o 73	18100-009B	O-RING, 13/16 X 11/16 X 1/16	2
* o 74	18110-005T	BACK-UP RING, 13/16 X 11/16	2
o 75	18701-001	WAVE SPRING	1
* o 76	18100-007B	O-RING, 7/8 X 3/4 X 1/16	1
* o 84	18100-117B	O-RING, 2 1/8 X 1 7/8 X 1/8	1
85	12225	NAME TAG	1

NAME OF PART
PRE-SET HYD. PRESSURE
REGULATOR (18-8 STAINLESS STL.)
GILMORE VALVE COMPANY
HOUSTON, TEXAS

DATE - 5-25-90 REFERENCE
SCALE - 46%
DR. BY - JOSE' DRAWING NO.
C'K'D BY - 44577-4
APP'D BY -

NO.	REVISIONS	DATE	DR.	CE.
F	EN 1611, NOTE 1 IS CONTRADICTORY 44577-1 BODY IS 416 MAT'L. AND NOT (18-8 IS 303 STAINLESS STEEL)	7/2/99	JOSE	