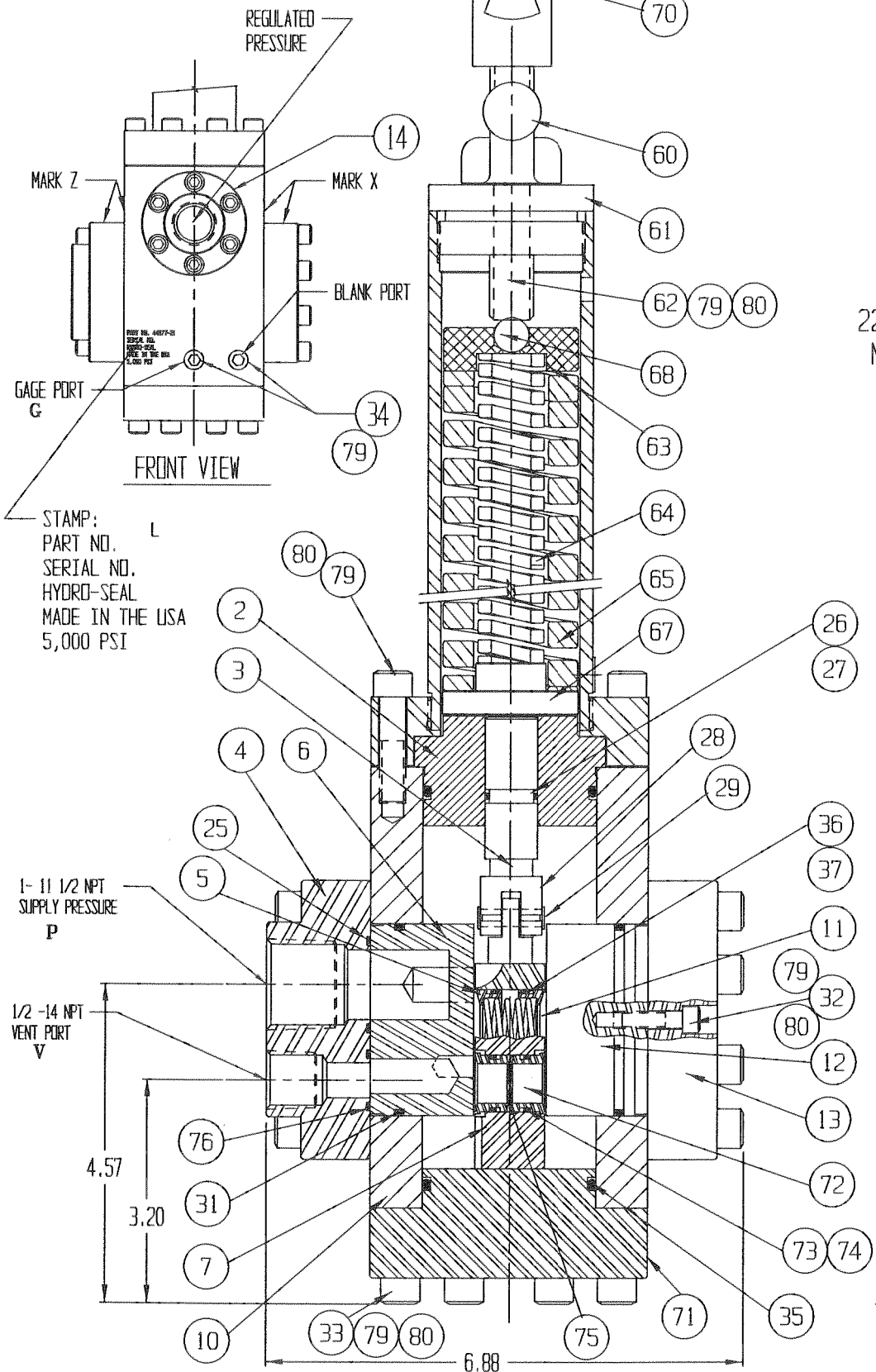
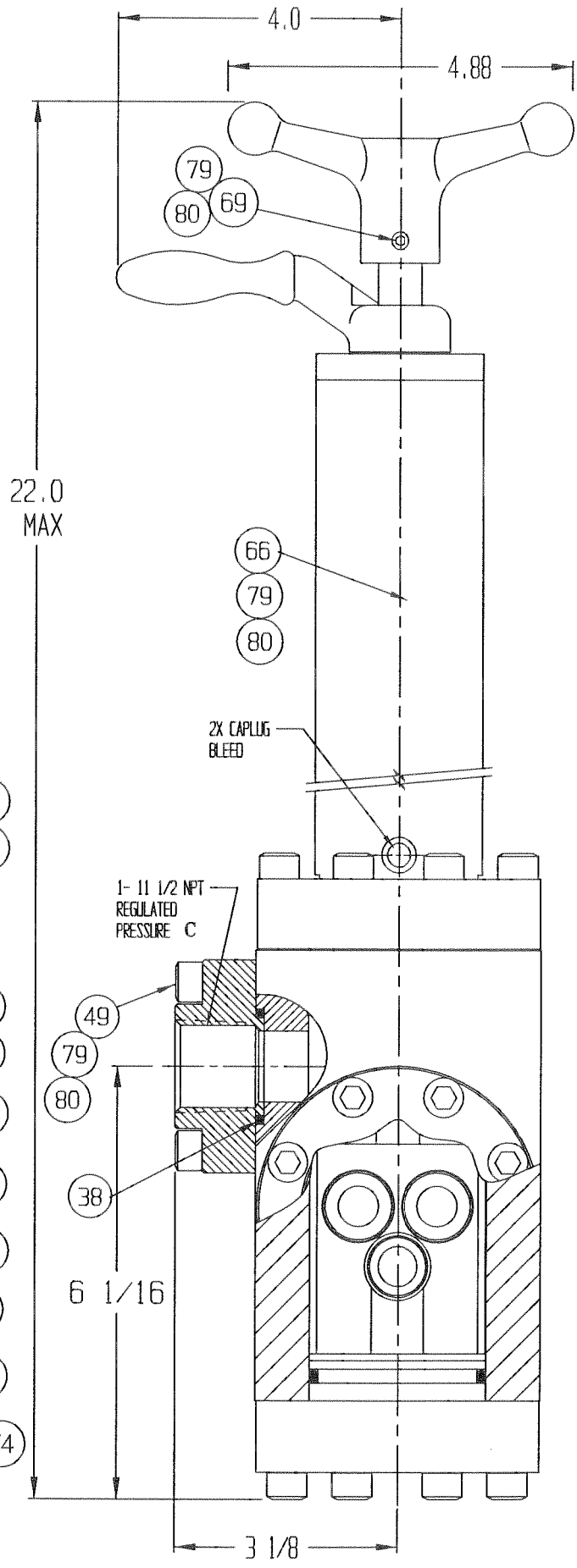


FOR SECONDARY PRESSURE GAGE REMOVE
PIPE PLUG P/N 18601-008 ITEM 34
INDENT RETAINER SLEEVE
ITEM 29 ON BOTH ENDS OF HOLE
FOR POSITIVE RETAINING



STAMP:
PART NO.
SERIAL NO.
HYDRO-SEAL
MADE IN THE USA
5,000 PSI

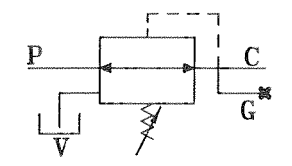
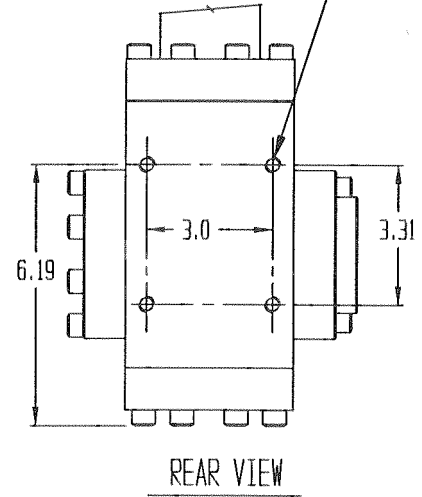


*-- SEAL KIT : 44577-21SK
o-- REPAIR KIT: 44577-21RK

MATERIALS :
STAINLESS
CARBON STEEL
BLUNA - N
TEFLON

EST. WT. 50 LBS.
PATENT NO. 4,493,335

MOUNTING HOLES
3/8 - 16 X 9/16 DEEP
4 PLACES



	FITTING SIZE	WORKING PRESSURE
SUPPLY P	1- 11 1/2 NPTF	5,000 psi
REGULATED C	1- 11 1/2 NPTF	2,000 psi
VENT V	1/2 - 14 NPT	AMBIENT
GAGE PORT G	3/8 - 18 NPT	2,000 psi

Cv SUPPLY = 9.4
Cv VENT = 1.4

PARTS LIST

ITEM	PART NO.	DESCRIPTION	REQ'D.
2	22619	PLUNGER GUIDE	1
3	22151	PLUNGER STEM	1
4	22185	FLANGE	1
o 5	11420	SEAL RING	4
o 6	22554	FLOW PORT	1
7	22187	SEAL CONTAINER	1
10	33006	BODY	1
o 11	11438	COMPRESSION SPRING	2
o 12	22141	PLATE	1
13	22138	FLANGE	1
14	11421	FLANGE	1
* o 25	18100-002B	O-RING	1
* o 26	18100-001B	O-RING	1
* o 27	18110-001T	BACK-UP RING	1
28	18500-001	DOWEL PIN, 1/4 DIA. X 3/4 LG.	1
29	11900	PIN RETAINER	1
* o 31	18100-051B	O-RING	2
* o 32	18221-005G	SDC.HD.CAP SCR., 1/4 - 20 X 7/8 LG.	4
33	18220-002A	SDC.HD.CAP SCR., 3/8-16 X 1 1/2 LG.	32
34	18601-008	PIPE PLUG, 3/8 NPT	2
* o 35	18100-101B	O-RING	2
* o 36	18100-003B	O-RING	4
* o 37	18110-002T	BACK-UP RING	4
* o 38	18100-103B	O-RING	1
49	18220-001A	SDC.HD.CAP SCR., 3/8-16 X 1 1/4 LG.	6
60	11223	LOCK HANDLE	1
61	11446	SEALING PLUG	1
62	11052	ADJUSTING SCREW	1
63	12519	SPRING GUIDE	1
64	11832	COMPRESSION SPRING (RED)	1
65	11047	COMPRESSION SPRING (BLUE)	1
66	22620	ADJUSTMENT HEAD ASS'Y	1
67	11442	SPRING PLATE	1
68	18800-001	STEEL BALL, 1/2 DIA.	1
69	18240-003	SET SCREW, 1/4-20 X 3/8 LG.	2
70	22150	BALL HANDLE	1
71	12994	FLANGE	1
o 72	11512	SEAL RING	2
* o 73	18100-009B	O-RING	2
* o 74	18110-005T	BACKUP-RING	2
o 75	18701-001	WAVE SPRING	1
* o 76	18100-007B	O-RING	1
79	25822	ANTI SEIZE	A/R
* o 80	25822-1	ANTI SEIZE	2

NOTE :
1.) SAME AS 44577-1 EXCEPT ITEM 64 AND 65
SPRINGS

NAME OF PART	
VALVE, REGULATOR HYDRAULIC PRESSURE	
GILMORE VALVE CO. HOUSTON, TEXAS	
DATE - 12/22/03	REFERENCE
SCALE - NTS	
DR. BY - JOSE	DRAWING NO.
C'K'D BY - <i>DAW/V3/04</i>	44577-21
APP'D BY - <i>TB/V3/04</i>	

NO.	REVISIONS	DATE	DR.	CK.
A	ERN 00855	12/22/03	JOSE	<i>Dgw</i>