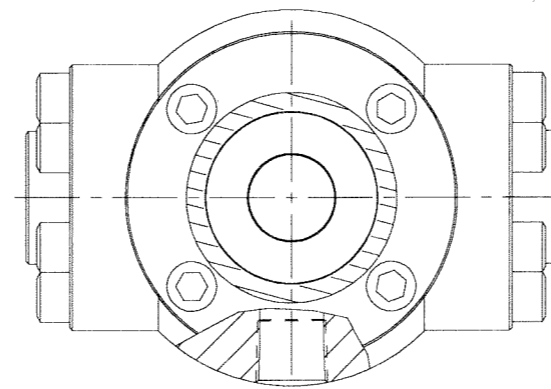
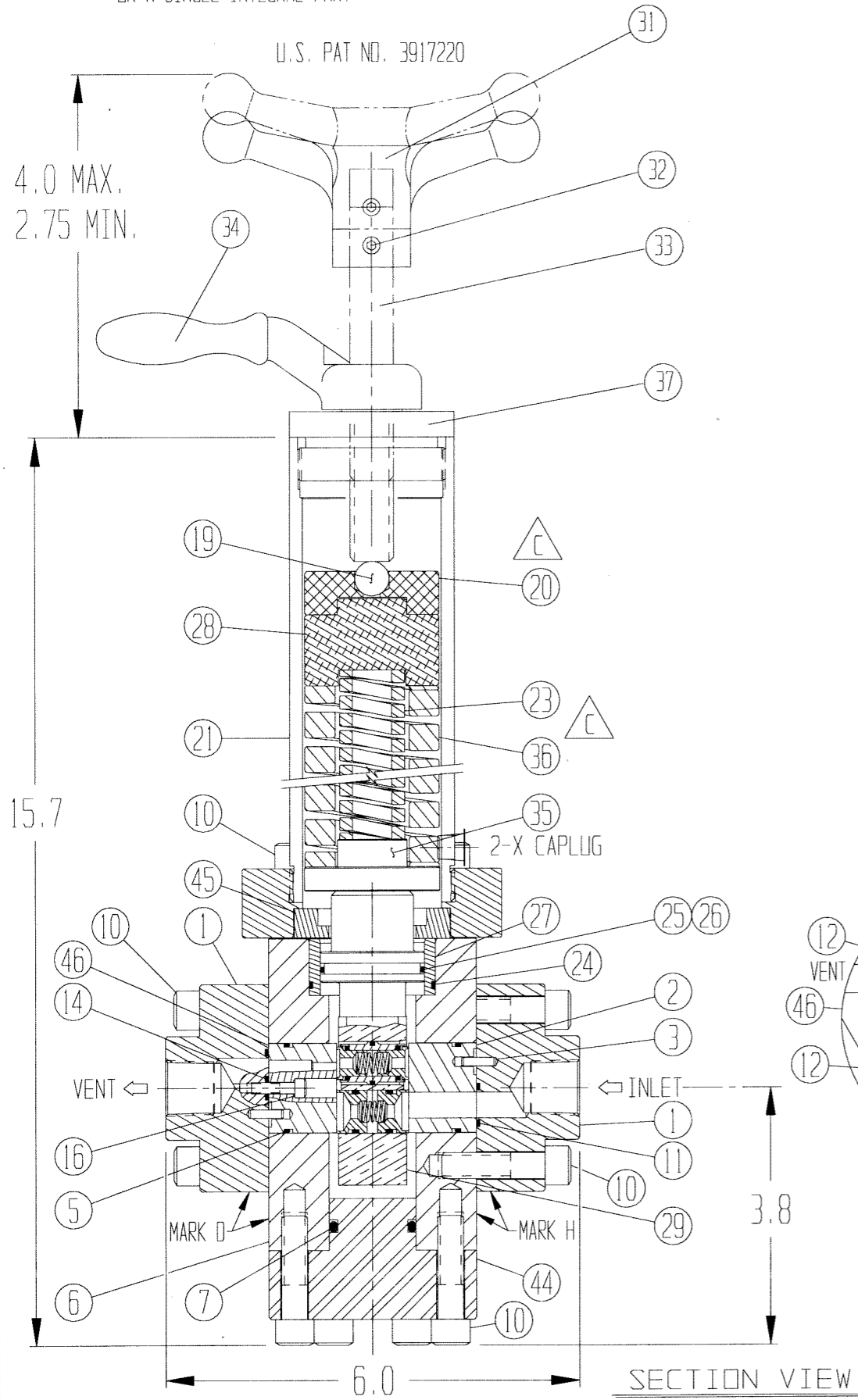


o - CONTAINED IN REPAIR KIT : 44469RK

* - CONTAINED IN SEAL KIT : 44469SK

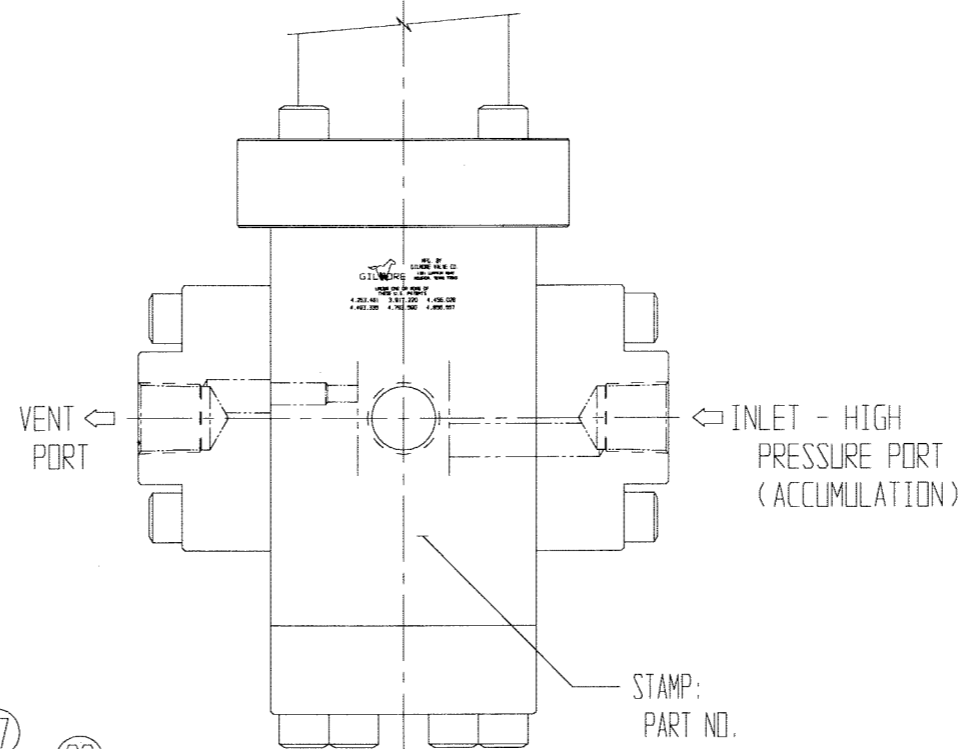
NOTE : ITEM 29 MAY CONSIST OF A FOUR PART SUB-ASSEMBLY,
OR A SINGLE INTEGRAL PART

U.S. PAT NO. 3917220

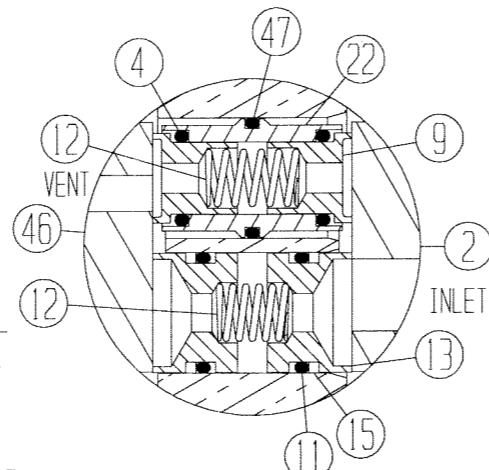


TOP VIEW

OUTLET - REGULATED PRESSURE



FRONT VIEW



DETAIL of SEALING PARTS

	FITTING SIZE	WORKING PRESSURE
INLET	.50 N.P.T.F	5,000 psi
REGULATED	.50 N.P.T.F	1,500 psi
VENT	.50 N.P.T.F	AMBIENT

Cv SUPPLY = 2.2

Cv VENT = .23

TOLERANCES UNLESS OTHERWISE SPEC.	
3 - PLACE DEC.	+/- .005
2 - PLACE DEC.	+/- .01
1 - PLACE DEC.	+/- .1
ANGULAR	+/- 3°

NO.	REVISIONS	DATE	DR.	CK.
C	ECN 3047	2/21/06	JOSE'	Bcm 2/22/06
B	ECN 2990	9/8/05	JOSE'	BFM 9/9/05

PARTS LIST

ITEM	DESCRIPTION	PART NUMBER	REQ'D
1	FLOW PLATE FLANGE	12751	2
2	FLOW PLATE (SUPPLY)	12574	1
3	SPRING PIN .13 DIA. x .50 LONG	18510-006	2
* 4	O-RING .50 x .38 x .06	18100-004B	2
* 5	O-RING 1.25 x 1.13 x .06	18100-012B	2
6	VALVE BODY	33010-15	1
* 7	O-RING 1.25 x 1.00 x .13	18100-107B	1
9	VENT SEAL	11592	2
10	S.H.C.S. .38-16 UNC x 1.50 LONG	18220-002Z	22
* 11	O-RING .63 x .50 x .06	18100-006B	4
12	COMPRESSION SPRING	11600	2
13	SUPPLY SEAL	12572	2
* 14	O-RING .31 x .19 x .06	18100-011B	4
* 15	BACKUP RING .63 x .50	18110-004T	2
* 16	S.H.C.S. 8-32 UNC x .63 LONG	18221-006G	4
19	STEEL BALL, .50 DIA.	18800-001	1
20	SPRING GUIDE	12519	1
21	ADJUSTMENT HEAD	22149	1
22	VENT SEAL CAGE	11662	1
23	COMPRESSION SPRING (YELLOW)	11604	1
* 24	O-RING 1.75 x 1.63 x .06	18100-040B	1
* 25	O-RING 1.50 x 1.38 x .06	18100-038B	1
* 26	BACKUP RING 1.50 x 1.38	18110-020T	1
27	SLEEVE	12727	1
28	SPACER	12729	1
29	SEAL CONTAINER	23652	1
31	BALL HANDLE	22150-1	1
32	SET SCREW .25 - 20 x .375	18240-003	2
33	ADJUSTING SCREW	11052-1	1
34	LOCK HANDLE	11223-1	1
35	SPRING PLATE	11442	1
36	COMPRESSION SPRING (YELLOW)	11605-2	1
37	SEALING PLUG	11446	1
44	BOTTOM FLANGE	11598-1	1
45	ADAPTOR SPACER	11606	1
46	FLOW PLATE (VENT)	12573	1
* 47	O-RING .56 x .44 x .06	18100-013W	1

WEIGHT : 32 LBS.

NAME OF PART	HYDRAULIC PRESSURE REGULATOR 1,500 PSI MANUAL (LOW -DEADBAND)	
GILMORE VALVE COMPANY HOUSTON, TEXAS		
DATE -	7 / 8 / 92	REFERENCE
SCALE -	NONE	
DR. BY -	JOSE'	DRAWING NO.
C'K'D BY -	RWM	44469
APP'D BY -		