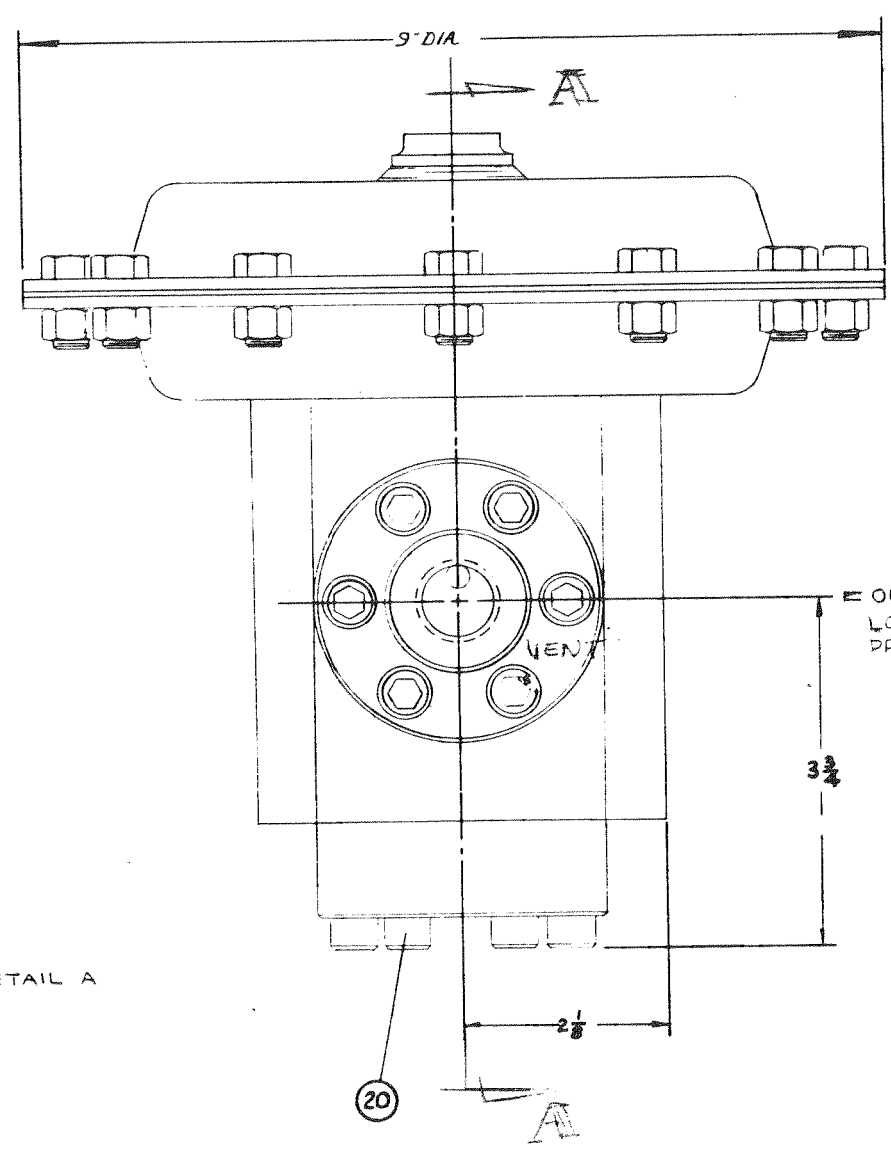
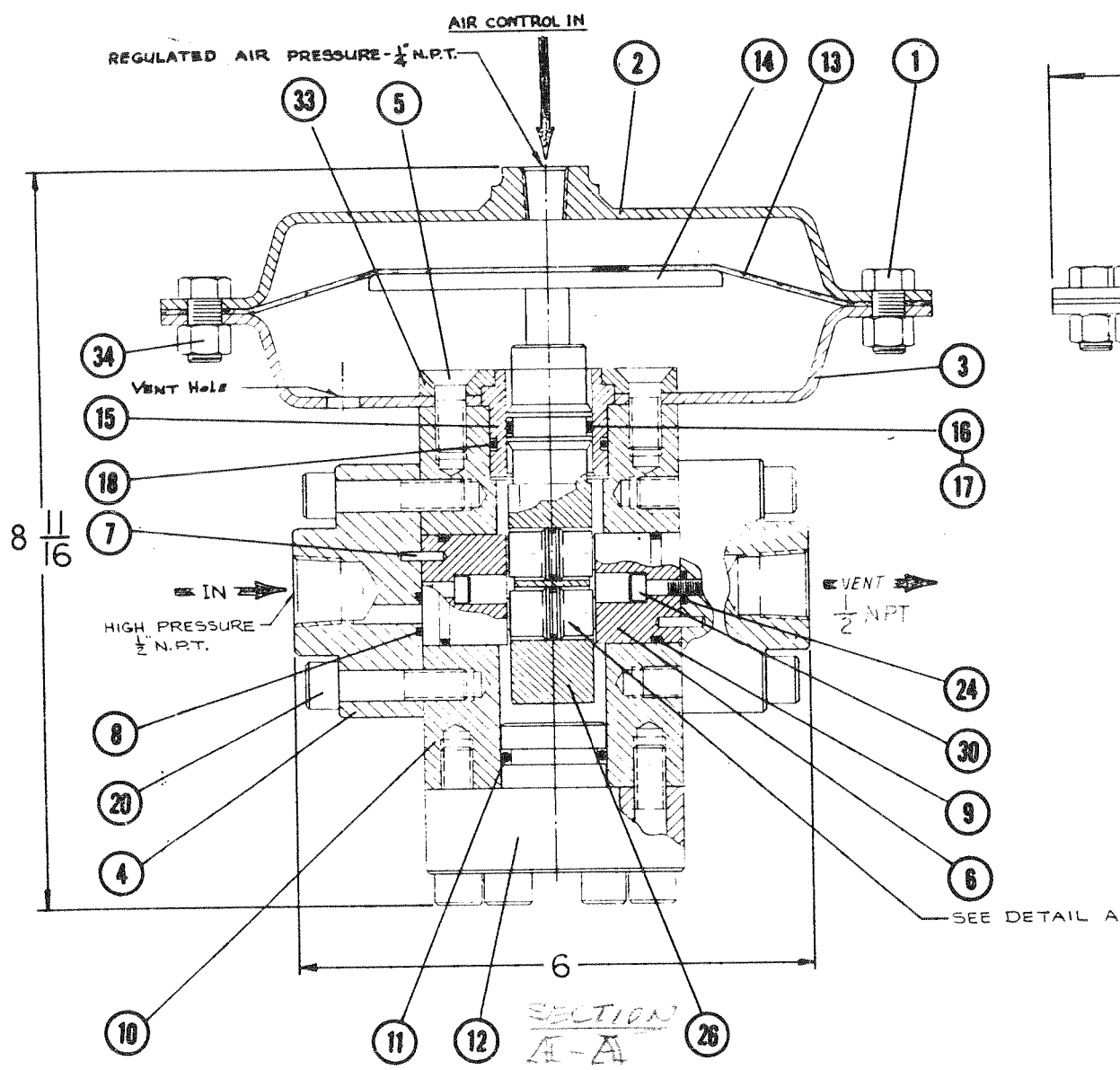
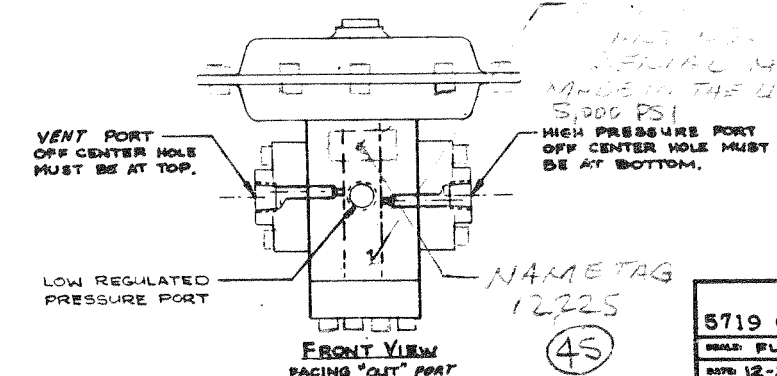
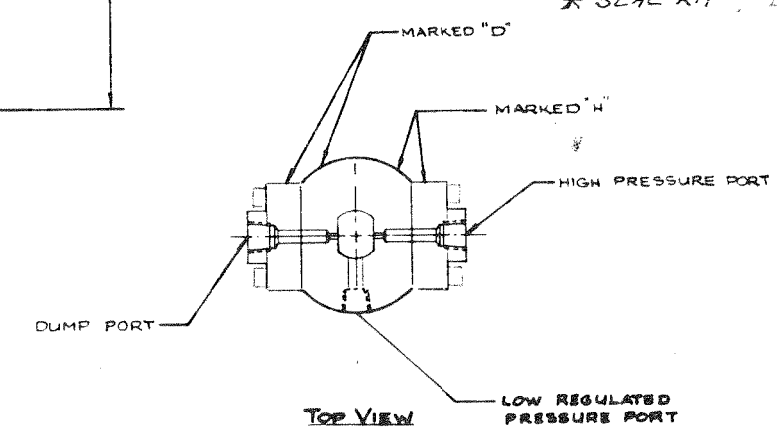


44372



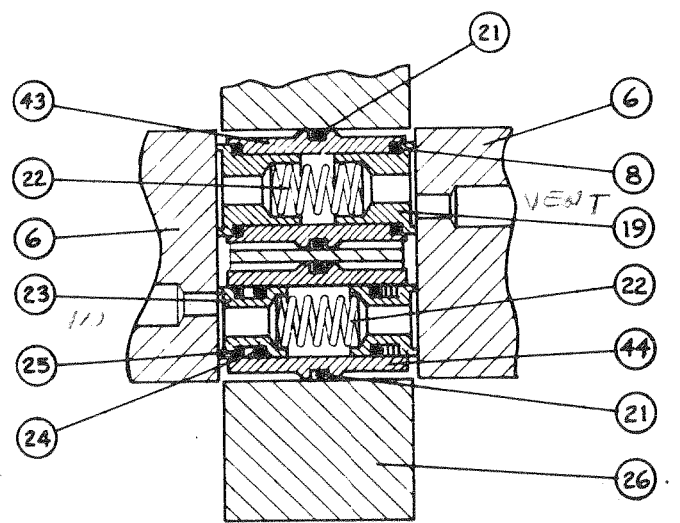
ITEM	PART NAME	PART NO.	REQ'D.
1	HEX HD. CAP SCR. - 3/8-16 x 3/4"	20040-0030	12
2	TOP DIAPHRAGM COVER ASS'Y.	11697	1
3	BOTTOM DIAPHRAGM COVER	22427	1
4	FLOW PLATE FLANGE	11596	2
5	FLAT HD. CAP SCR. - 3/8-16 x 1"	21060-00	6
6	FLOW SEAL PLATE	11594	2
7	SPRING PIN - 1/8" DIA. x 1/2" LG.	18510-006	2
* 8	* O-RING - 1/2" x 3/8" x 1/16"	18100-004E	4
* 9	* O-RING - 1/4" x 1 1/8" x 1/16"	18100-01-B	2
10	VALVE BODY	33010-1	1
* 11	* O-RING - 1 1/4" x 1" x 1/8"	18100-107B	1
12	BOTTOM FLANGE	11598	1
13	DIAPHRAGM	11699	1
14	DIAPHRAGM PLATE ASSEMBLY	11603	1
15	FLINGER GUIDE	11595	1
* 16	* O-RING - 1" x 3/8" x 1/16"	18100-003E	1
* 17	* BACK-UP RING - 1" x 3/8" (TEFLON)	18110-002T	2
* 18	* O-RING - 1 3/8" x 1 1/4" x 1/16"	18100-002T	1
19	HYDRO SEAL (VENT)	11592	2
20	SOC. HD. CAP SCR. - 3/8-16 x 1 1/2"	18220-0074	18
* 21	* O-RING - 3/16" x 7/16" x 1/16" (NITON)	18100-013A	2
22	COMPRESSION SPRING	11600	2
23	HYDRO SEAL (SUPPLY)	11593	2
* 24	* O-RING - 3/8" x 1/4" x 1/16" S-72	18100-008B	6
* 25	* BACK-UP RING - 3/8" x 1/4" (COMP)	18110-002T	2
26	SEAL CONTAINER	11599	1
27			
28			
29			
* 30	* SOC. HD. CAP SCR. - 10-24 x 3/4"	18221-004E	4
43	OUTLET SEAL CAGE	11662	1
44	INLET SEAL CAGE	11661	1
33	COVER RETAINER	11700	1
34	HEX NUTS 3/8-16 N.C.	18230-003	12
45	NAME TAG	12225	1

* REPAIR KIT : 44372RK
* SEAL KIT : 44372SK



	FITTING	WORKING PRESSURE
INLET	1/2 NPT	5,000 PSI.
REGULATED	1/2 NPT	3,000 PSI.
VENT	1/2 NPT	
PILOT	1/4 NPT	

MATERIALS:
STAINLESS
CARBON STEEL
BRASS
BUNA-N
TEFLON
WEIGHT:
7.9 LBS.



DETAIL A
SCALE: X 2

NOTE: ALL FLANGES & VENT PORTS MUST BE PROPERLY STAMPED.

GILMORE VALVE CO.
5719 GREEN ASH HOUSTON, TEXAS
SCALE: FULL APPROVED BY: DRAWN BY: PLW
DATE: 12-28-72
1/2" AIR OPERATED, HYDRAULIC PRESSURE REGULATOR
44372

REV.	REVISIONS	DATE	BY	CHK
E	ECN 546 ADD NAME TAG, STAMP NOTE			