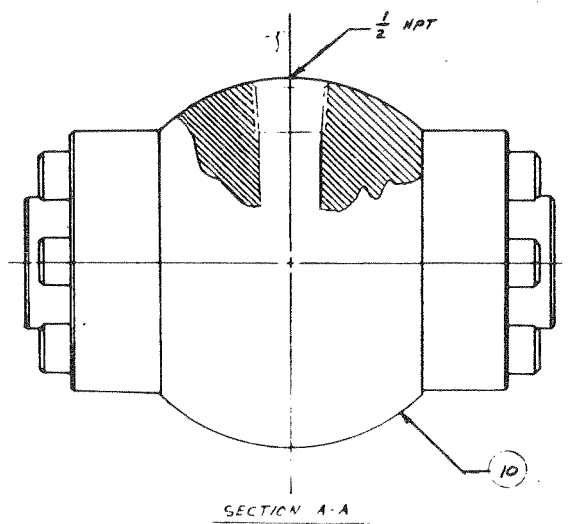


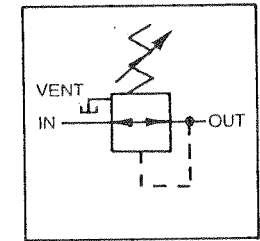
REAR SECTION VIEW



SECTION A-A

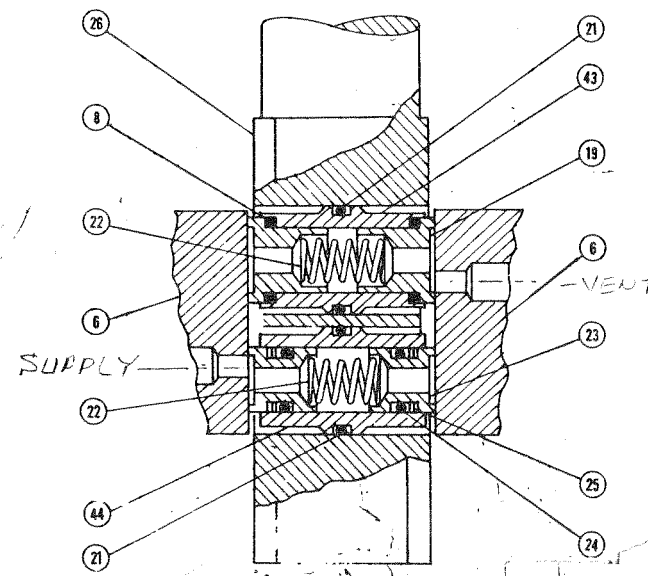
MATERIALS:
 STAINLESS
 CARBON STEEL
 BRASS
 BUNA-N
 TEFLON

WEIGHT: 32 LBS.

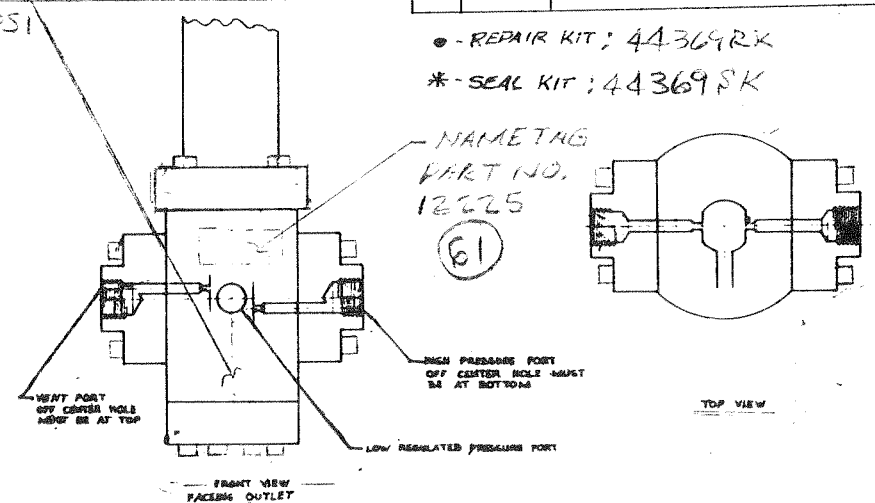


	FITTING	WORKING PRESSURE
INLET	1/2 NPT	5,000 PSI
REGULATED	1/2 NPT	3,000 PSI
VENT	1/2 NPT	AMBIENT
GAGE PORT	~	~

STAMP:
 PART NO.
 SERIAL NO.
 MADE IN THE U.S.A.
 5,000 PSI



DETAIL B
 SCALE 2:1



FRONT VIEW
 FACING OUTLET

QTY	PART NO.	PART NAME	AMOUNT
4	11596	FLOW PLATE FLANGE	2
6	11594	FLOW SEAL PLATE	2
7	18510-004	SPRING PIN 1/8 DIA. x 1/2 LG.	2
8	18100-004	*O* RING 1/2 x 3/8 x 1/16 (B)	4
9	18100-012	*O* RING 1/4 x 1 1/8 x 1/16 (B)	2
10	33010-1	VALVE BODY	1
11	18100-1076	*O* RING 1/4 x 1 x 1/8 B-70	1
12	11598	BOTTOM FLANGE	1
15	11595	PLUNGER GUIDE	1
16	18100-103	*O* RING 1 x 7/8 x 1/16 (B)	1
17	18110-007	BACK-UP RING 1 x 7/8 (TEFLON) (T)	2
18	18100-002	*O* RING 1 3/8 x 1 1/4 x 1/16 (B)	1
19	11592	HYDRO SEAL	2
20	18220-001	SOCKET HEAD CAP SCREW 3/8-16 x 1 1/2 (A)	22
21	18100-013	*O* RING 9/16 x 7/16 x 1/16 VITON (W)	2
22	11600	COMPRESSION SPRING	2
23	11593	HYDRO SEAL	2
24	18100-008	*O* RING 3/8 x 1/4 x 1/16 (B)	6
25	18110-006	BACK-UP RING 3/8 x 1/4 (T)	2
26	11599	SEAL CONTAINER	1
27			
28			
29			
30	18221-001	SOCKET HEAD CAP SCREW 10-24 x 3/4	4
31	22150	BALL HANDLE	1
32	18240-01	SET SCREW 1/4-20 x 3/8	2
33	11052	ADJUSTING SCREW	1
34	11223	LOCY. HANDLE	1
35	11446	SEALING PLUG	1
36	18000-001	STEEL BALL 1/2" INCH DIAMETER	1
37	11448	SPRING GUIDE	1
38	11604	COMPRESSION SPRING (Yellow)	1
39	11605-2	COMPRESSION SPRING (Yellow)	1
40	22149	ADJUSTMENT HEAD	1
41	11442	SPRING PLATE	1
42	11606	ADAPTOR	1
43	11662	OUTLET SEAL CAGE	1
44	11661	INLET SEAL CAGE	1
60	18220-001	SOCKET HEAD CAP SCREW 1/2-13 x 2 1/2	1
61	10025	NAME TAG	1

WEIGHT: 32 LBS.

REPAIR KIT: 44369RK
 SEAL KIT: 44369SK

NAME TAG
 PART NO.
 12225
 61

GILMORE VALVE COMPANY
 HOUSTON, TEXAS

DATE: 2/10/71

ECN NO. 1565

1/2" MANUAL HYDRAULIC PRESSURE REG. (1/2" INCH MAN VALVE)

44369