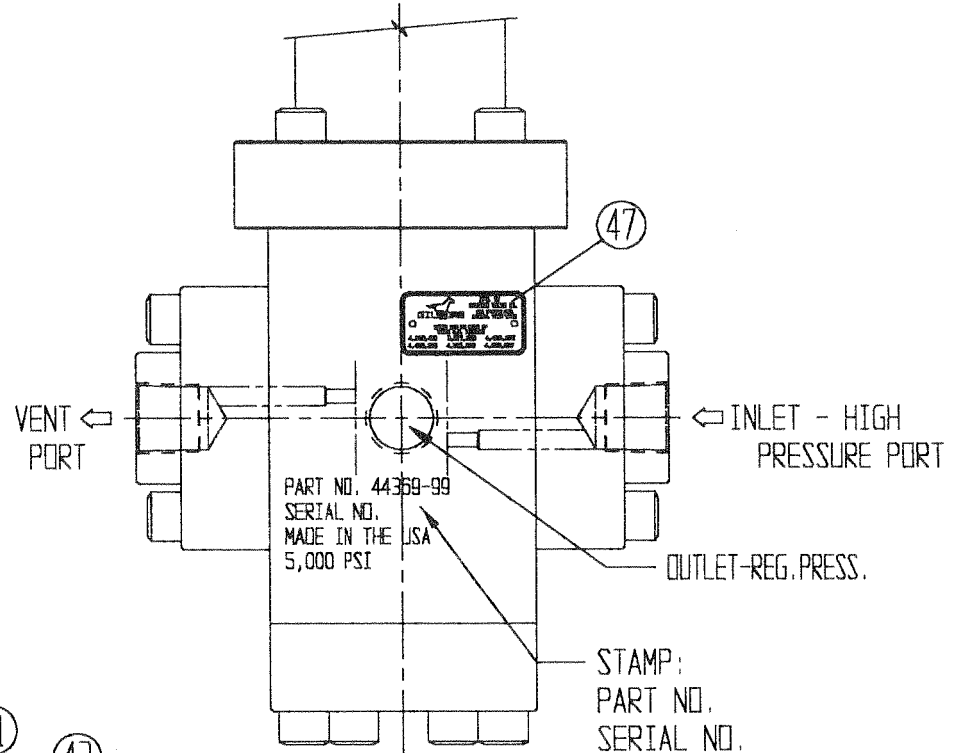
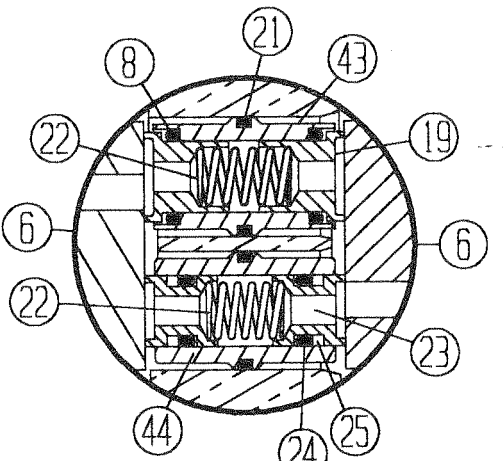


TOP VIEW
OUTLET - REGULATED PRESSURE



FRONT VIEW



DETAIL of SEALING PARTS

WEIGHT : 53 LBS.

ITEM	PART No.	DESCRIPTION	REQ'D
4	11596	FLOW PLATE FLANGE	2
o 6	11594	FLOW SEAL PLATE	2
7	18510-006	SPRING PIN .13 DIA. x .50 LONG	2
* o 8	18100-004B	O-RING .50 x .38 x .06	4
* o 9	18100-012B	O-RING 1.25 x 1.13 x .06	2
10	33010-1	VALVE BODY	1
* o 11	18100-107B	O-RING 1.25 x 1.00 x .13	1
12	11598	BOTTOM FLANGE	1
15	11595	PLINGER GUIDE	1
* o 16	18100-003B	O-RING 1.00 x .88 x .06	1
* o 17	18110-002T	BACKUP RING 1.00 x .88	2
* o 18	18100-002B	O-RING 1.38 x 1.25 x .06	1
o 19	11592	HYDRO SEAL (VENT)	2
20	18220-002A	S.H.C.S. .38-16 LINC x 1.50 LONG	22
* o 21	18100-013W	O-RING .56 x .44 x .06	2
o 22	11600	COMPRESSION SPRING	2
o 23	11593	HYDRO SEAL (SUPPLY)	2
* o 24	18100-008B	O-RING .38 x .25 x .06	6
* o 25	18110-006T	BACKUP RING .38 x .25	2
o 26	11599	SEAL CONTAINER	1
* o 30	18221-004G	S.H.C.S. 10-24 LINC x .75 LONG	4
36	18800-001	STEEL BALL, .50 DIA.	1
37	11448	SPRING GUIDE	1
38	11604	COMPRESSION SPRING (YELLOW)	1
39	11605-2	COMPRESSION SPRING (YELLOW)	1
40	22149	ADJUSTMENT HEAD	1
41	11442	SPRING PLATE	1
42	11606	ADAPTOR SPACER	1
o 43	11662	OUTLET SEAL CAGE	1
o 44	11661	INLET SEAL CAGE	1
46	33071	VALVE ACTUATOR ASSEMBLY	1
△ J 47	12225	NAME TAG	1

o- CONTAINED IN REPAIR KIT: 44369-99RK
* - CONTAINED IN SEAL KIT: 44369-99SK

U.S. PAT NO. 3917220

	FITTING SIZE	WORKING PRESSURE
INLET	.50 N.P.T.F	5,000 psi
REGULATED	.50 N.P.T.F	3,000 psi
VENT	.50 N.P.T.F	AMBIENT

Cv SUPPLY = .23
Cv VENT = .23

NO.	REVISIONS	DATE	DR.	CK.
J	REMOVED 1/8" NPT PLUG, REPLACED W/ 2-X CAP, ADDED ITEM 47 (NAME TAG) 12225/ECN 1089	9/22/98	CWC	RNM
H	REDRAWN / ECN # 442	8-16-96	JOSE	

NAME OF PART HYDRAULIC PRESSURE REGULATOR AIR ACTUATOR WITH MANUAL OVERRIDE	
GILMORE VALVE COMPANY HOUSTON, TEXAS	
DATE - 1-08-96	REFERENCE
SCALE - 46%	
DR. BY - joe	DRAWING NO.
C'K'D BY -	44369-99
APP'D BY - DW	