

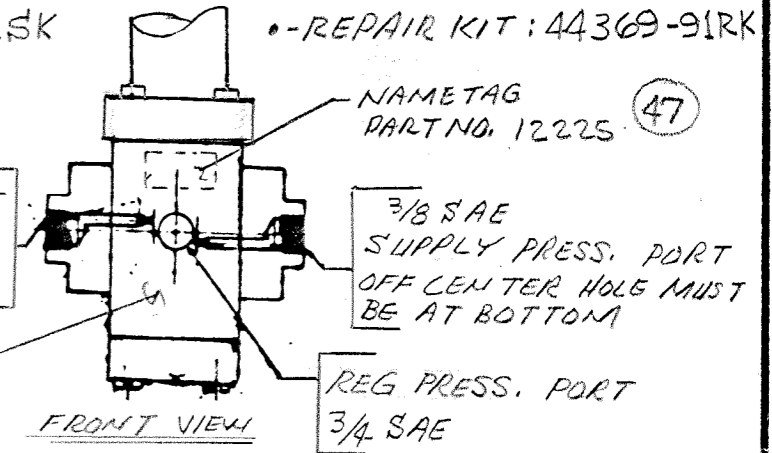
	FITTING	WORKING PRESSURE
INLET	3/8 SAE	5,000 PSI
REGULATED	3/4 SAE	3,000 PSI
VENT	3/8 SAE	AMBIENT
GAGE PORT	NONE	NONE

WEIGHT 50 LBS.

PARTS LIST			
ITEM	PART NO.	DESCRIPTION	REQ.
4	11596-1	FLOW PLATE FLANGE (3/8 SAE)	2
6	11594	FLOW SEAL PLATE	2
7	18510-006	SPRING PIN 1/8 DIA. x 1/2 LG.	2
* 8	18100-004B	"O" RING 1/2 x 3/8 x 1/16	4
* 9	18100-012B	"O" RING 1 1/4 x 1 1/8 x 1/16	2
10	33010-13	VALVE BODY (3/4 SAE)	1
* 11	18100-107B	"O" RING 1 1/4 x 1 x 1/8	1
12	11598	BOTTOM FLANGE	1
15	11595	PLUNGER GUIDE	1
* 16	18100-003E	"O" RING 1 x 7/8 x 1/16	1
* 17	18110-002T	BACK-UP RING 1 x 7/8 (TEFLON)	2
* 18	18100-002E	"O" RING 1 3/8 x 1 1/4 x 1/16	1
19	11592	HYDRO SEAL	2
20	18220-002A	SOCKET HEAD CAP SCREW 3/8-16 x 1 1/2	22
* 21	18100-013V	"O" RING 9/16 x 7/16 x 1/16 VITON	2
22	11600	COMPRESSION SPRING	2
23	11593	HYDRO SEAL	2
* 24	18100-008E	"O" RING 3/8 x 1/4 x 1/16	6
* 25	18110-006T	BACK-UP RING 3/8 x 1/4	2
26	11599	SEAL CONTAINER	1
* 30	18221-004G	SOCKET HEAD CAP SCREW 10-24 x 3/4	4
36	18800-001	STEEL BALL 1/2" INCH DIAMETER	1
37	11448	SPRING GUIDE	1
38	11604	COMPRESSION SPRING (Yellow)	1
39	11605-2	COMPRESSION SPRING (Yellow)	1
40	22149	ADJUSTMENT HEAD	1
41	11442	SPRING PLATE	1
42	11606	ADAPTOR	1
43	11662	OUTLET SEAL CAGE	1
44	11661	INLET SEAL CAGE	1
46	33071	VALVE ACTUATOR ASS'Y	1
47	12225	NAME TAG	1

\* - SEAL KIT: 44369-91SK

\* - REPAIR KIT: 44369-91RK



STAMP:  
PART NO.  
SERIAL NO.  
MADE IN THE U.S.A.  
5,000 PSI

MATERIAL: NOTED		TOLERANCES UNLESS OTHERWISE SPEC.
TREATMENT	ROCKWELL "C"	
		3-PLACE DEC. ±
		2-PLACE DEC. ±
		FRACTIONAL ± 1/32
		ANGULAR ±

ALL PIPE THREADS TO BE IN ACCORDANCE WITH AMERICAN STANDARD GAUGE UNLESS OTHERWISE SPECIFIED.

NAME OF PART: HYD. PRESS. REG. with AIR ACTUATOR (SAE FITTING)	
GILMORE VALVE COMPANY HOUSTON, TEXAS	
DATE: 6-21-90	REFERENCE
SCALE: NONE	
DR. BY: JOSE	DRAWING NO.
C'K'D BY:	44369-91
APP'D BY:	

NO.	REVISIONS	DATE	DR.	CK.
B	ECH NO. 1565	7-29-99	JOSE	