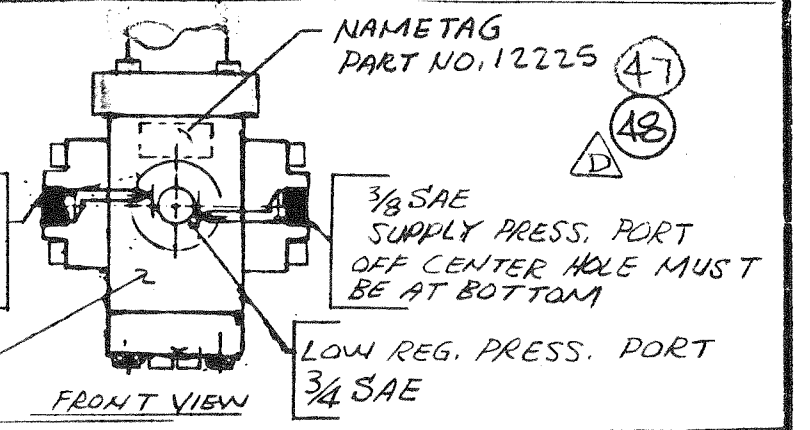


ITEM	PART NAME	PART NO.	REQ.	RK	SK
4	FLOW PLATE FLANGE	11596-1	2		
6	FLOW SEAL PLATE	11594	2	X	
7	SPRING PIN 1/8 X 1/2 LG	18510-006	2		
8	O-RING	18100-004B	4	X	X
9	O-RING	18100-012B	2	X	X
10	VALVE BODY	33010-14	1		
11	O-RING	18100-107B	1	X	X
12	BOTTOM FLANGE	11598	1		
16	O-RING	18100-007B	1	X	X
17	BACKUP RING	18110-024T	2	X	X
18	O-RING	18100-040B	1	X	X
19	HYDRO SEAL	11592	2	X	
20	SHCS, 3/8-16 X 1-1/2	18220-002A	23		
21	O-RING	18100-013W	2	X	X
22	COMPRESSION SPRING	11600	2	X	
23	HYDRO SEAL	11593	2	X	
24	O-RING	18100-008B	6	X	X
25	BACKUP RING	18110-006T	2	X	X
26	SEAL CONTAINER	12517	1	X	
29	PISTON	12516	1		
30	SHCS, 10-24 X 3/4	18221-004G	4	X	X
36	STEEL BALL 1/2"	18800-001	1		
37	SPRING GUIDE	11448	1		
38	COMPRESSION SPRING	11604	1		
39	COMPRESSION SPRING	11605-2	1		
40	ADJUSTMENT HEAD	22149	1		
41	SPRING PLATE	11442	1		
42	ADAPTER	11606	1		
43	OUTLET SEAL CAGE	11662	1	X	
44	INLET SEAL CAGE	11661	1	X	
46	VALVE ACTUATOR ASSY.	33071	1		
47	NAME TAG	12225	1		
48	SCREWS, DRIVE	21082-002	2		
49	ANTI-SEIZE	25822	4	AR	
50	ANTI-SEIZE	25822-1	4	X	X

NOTES: 1. X DEPICTS PARTS IN REPAIR KIT 44369-90RK & SEAL KIT 44369-90SK



MATERIAL: NOTED		TOLERANCES UNLESS OTHERWISE SPEC.		NO. REVISIONS		DATE		DR. CR.		APP'D BY.	
TREATMENT	ROCKWELL "C"	3-PLACE DEC.	±	D	ECN# 2112	4/17/01				GILMORE VALVE COMPANY HOUSTON, TEXAS	
		2-PLACE DEC.	±	C	ECN# 1565	7-29-99				DATE: 6-22-90	REFERENCE
ALL PIPE THREADS TO BE IN ACCORDANCE WITH AMERICAN STANDARD GAUGE UNLESS OTHERWISE SPECIFIED.		FRACTIONAL	± 1/32							SCALE: NONE	DRAWING NO.
		ANGULAR	±							DR. BY: JOSE	
										C'K'D BY:	44369-90
										APP'D BY:	