

ITEM	REQ'D	DESCRIPTION	PART NO.	ITEM	REQ'D	DESCRIPTION	PART NO.
1	1	SEAL PLATE, SUPPLY	23145	16	1	CURVED SPRING WASHER	18660-002
2	1	SEAL PLATE, CYLINDER	23146	17	2	O-RING (2-013) 90d	18100-013C
3	1	PRESSURE SEAL	23147	19	4	SOC. HD. CAP SCR. 1/4-20X2 1/2 LG.	18220-116S
4	1	CYLINDER SEAL	23148	22	2	O-RING (2-023)	18100-015B
5	1	SEAL CONTAINER	23149	23	1	NAME TAG	12225
6	1	SUPPLY COVER	23195				
7	1	BODY	23194				
8	1	CYLINDER COVER	12537				
9	1	PILOT ROD	23153				
11	1	CYLINDER ASS'Y	12341				
13	1	O-RING (2-008)	18100-011B				
14	1	SPRING HOUSING ASS'Y	23198				
15	3	O-RING (2-010) 90d	18100-008C				
20	1	O-RING (-115)	18100-054B				

MAXIMUM WORKING PRESS. SUPPLY-5,000 PSI

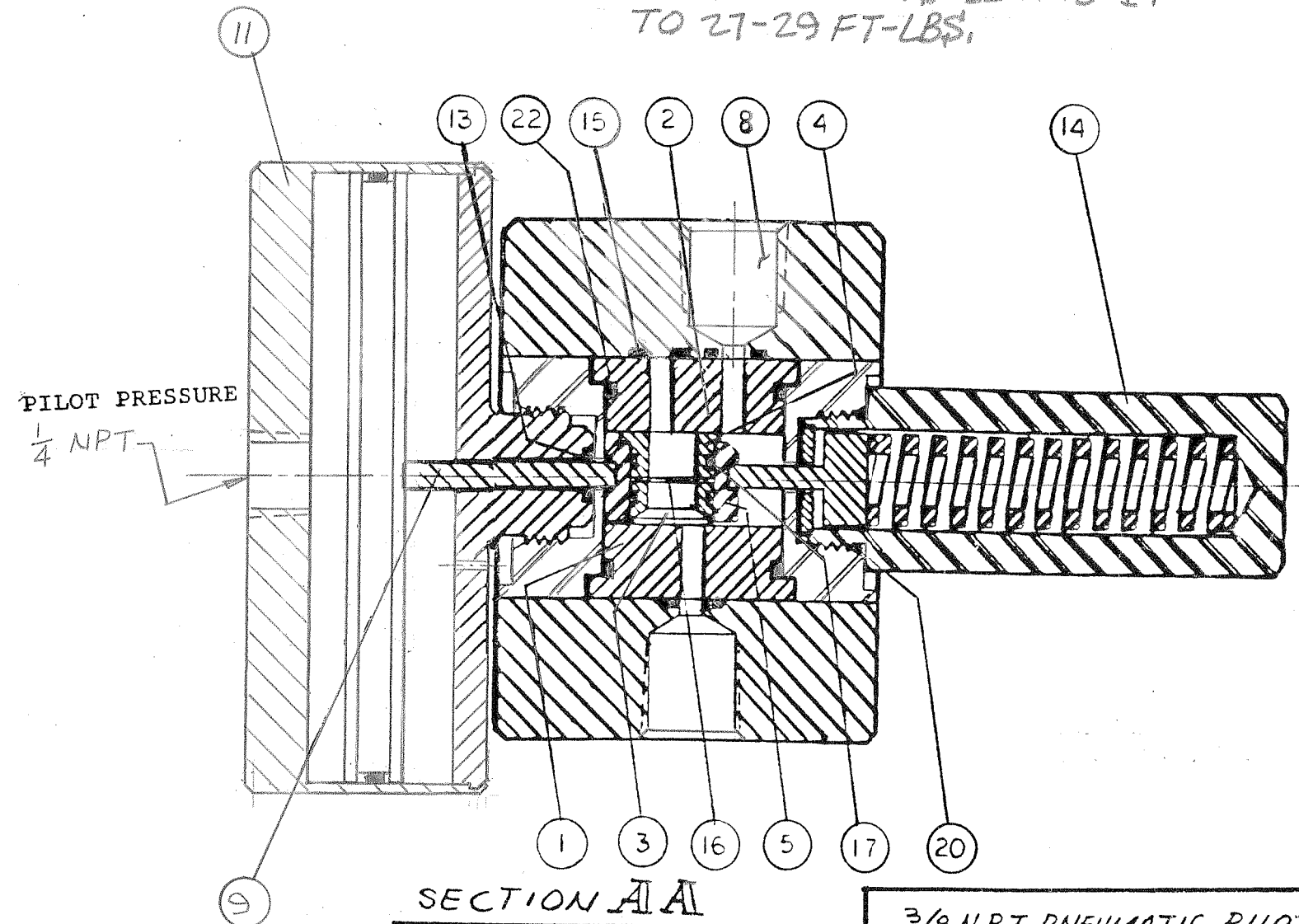
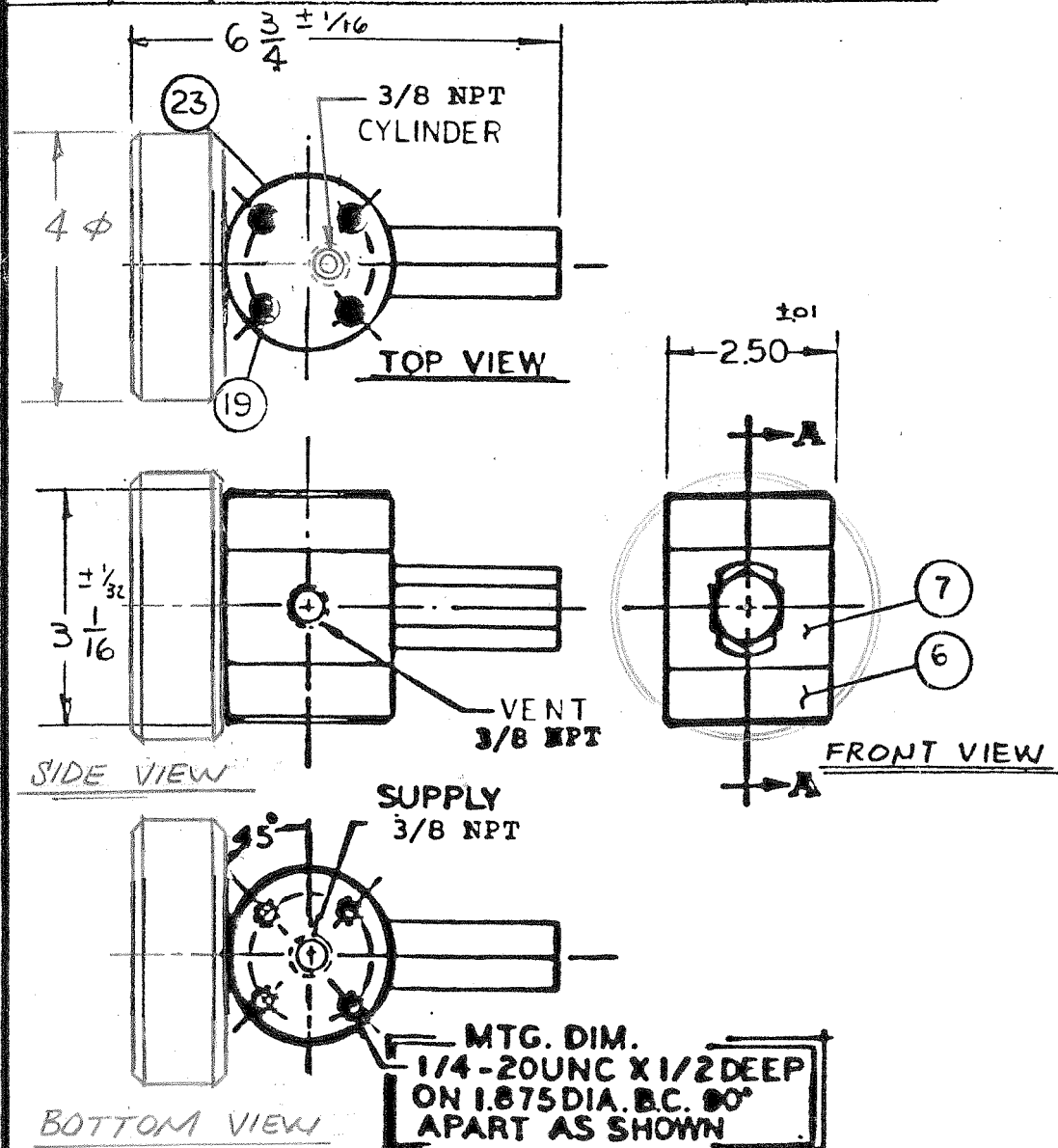
PILOT - 150 PSI
VENT - 3,000 PSI

FLOW CAPACITY $C_v = .40$

PILOT PRESSURE: 20 PSI AT 3,000 PSI SUPPLY
26 PSI AT 5,000 PSI SUPPLY

REPAIR KIT: 25594 RK
NO SEAL KIT: 25594 SK

NOTE:
1. TORQUE ITEMS 11 AND 14
TO 27-29 FT-LBS.



3/8 N.P.T PNEUMATIC PILOT
NAME OF PART 3 WAY SELECTOR VALVE
SHOWN - NORMALLY CLOSED

GILMORE VALVE COMPANY
HOUSTON, TEXAS

DATE: 8-15-90 REFERENCE

SCALE: FULL & NOTED

DR. BY: JOSÉ DRAWING NO.

C'K'D BY: APP'D BY: 25594

NO.	REVISIONS	DATE	DR.	CR.

A PILOT WAS 300 PSI 12/10/90 RLR JOSÉ