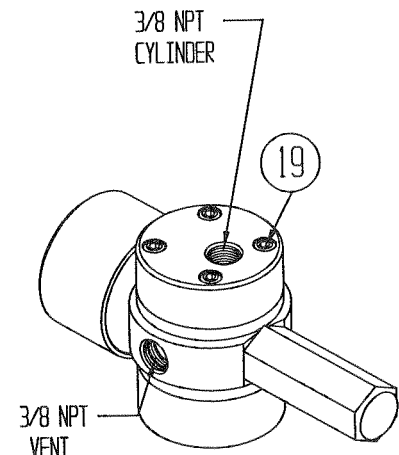
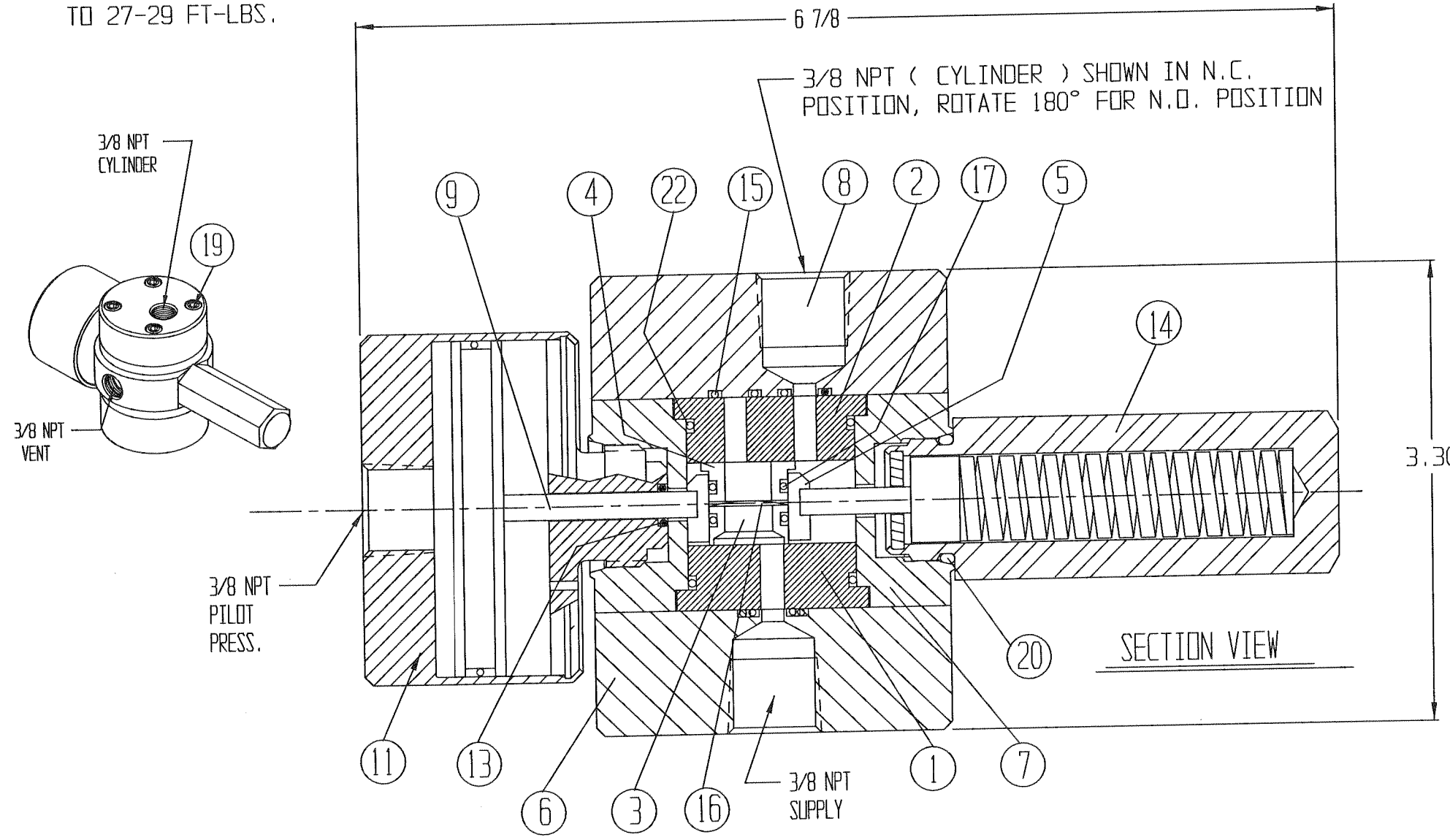


NOTE:

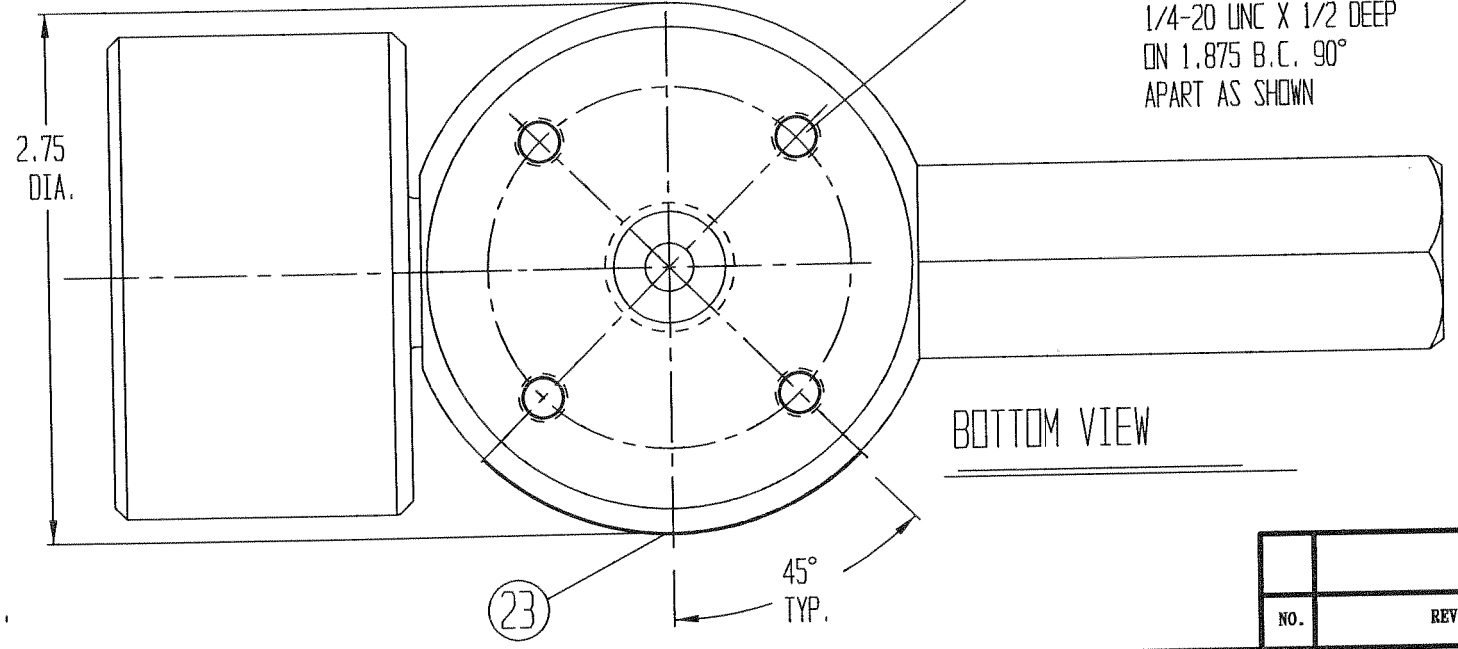
1. TORQUE ITEMS 11 AND 14 TO 27-29 FT-LBS.



3/8 NPT PILOT PRESS.

3/8 NPT (CYLINDER) SHOWN IN N.C. POSITION, ROTATE 180° FOR N.O. POSITION

SECTION VIEW



WEIGHT 5 1/2 LBS.

MATERIAL LIST

ITEM	REQ'D.	DESCRIPTION	PART NO.
o 1	1	SEAL PLATE, SUPPLY	23145
o 2	1	SEAL PLATE, CYLINDER	23146
o 3	1	PRESSURE SEAL	23147
o 4	1	CYLINDER SEAL	23148
5	1	SEAL CONTAINER	23149
6	1	SUPPLY COVER	23195
7	1	BODY	23194
8	1	CYLINDER COVER	12537
9	1	PILOT ROD	23153
11	1	CYLINDER ASS'Y	23243
o 13	1	"O"RING 5/16 x 3/16 x 1/16	18100-011B
14	1	SPRING HOUSING ASS'Y	23198
o 15	3	"O"RING 3/8 x 1/4 x 1/16	18100-008C
o 16	1	CURVED SPRING WASHER	18660-002
o 17	2	"O"RING 9/16 x 7/16 x 1/16	18100-013C
19	4	SDC.HD.CAP SCR. 1/4-20 X 2 1/2 LG.	18220-116S
o 20	2	"O"RING 7/8 x 11/16 x 3/32	18100-054B
o 22	2	"O"RING 1 3/16 x 1 1/16 x 1/16	18100-015B
23	1	NAME TAG	12225

o -- REPAIR KIT: 25592-1 RK

MAXIMUM WORKING PRESSURE : SUPPLY ----- 6,000PSI
 PILOT ----- 300PSI
 VENT ----- 1,000PSI

FLOW CAPACITY Cv = .40
 PILOT PRESSURE: 55 PSI AT 3,000 PSI SUPPLY
 70 PSI AT 5,000 PSI SUPPLY
 90 PSI AT 6,000 PSI SUPPLY

MATERIAL :

316 STAINLESS STEEL

U.S. PAT.NO. 3,917,220

FOR OIL OR WATER
 BASED CONTROL
 FLUID SERVICE

NAME OF PART	
3/8 NPT PNEUMATIC PILOT 3 WAY SELECTOR VALVE ASS'Y SHOWN - NORMALLY CLOSED	
GILMORE VALVE COMPANY HOUSTON, TEXAS	
DATE - 6/3/98	REFERENCE
SCALE - FULL	
DR. BY - jose'	DRAWING NO.
C'K'D BY -	25592-1
APP'D BY - DW	

NO.	REVISIONS	DATE	DR.	CK.