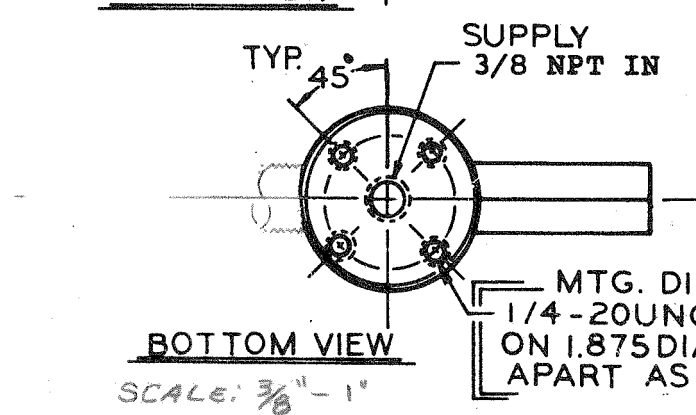
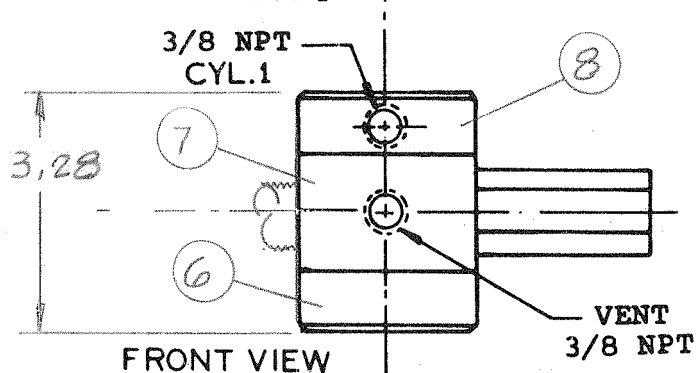
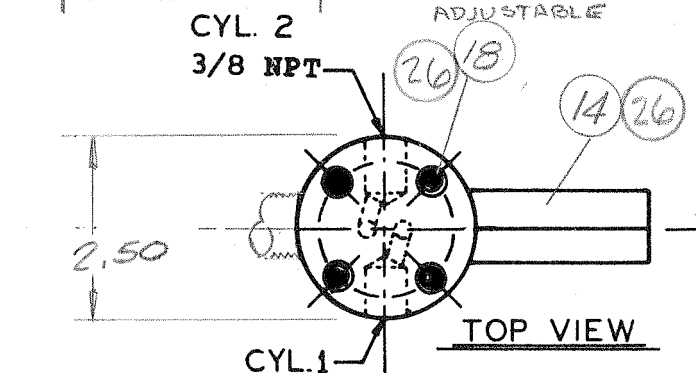
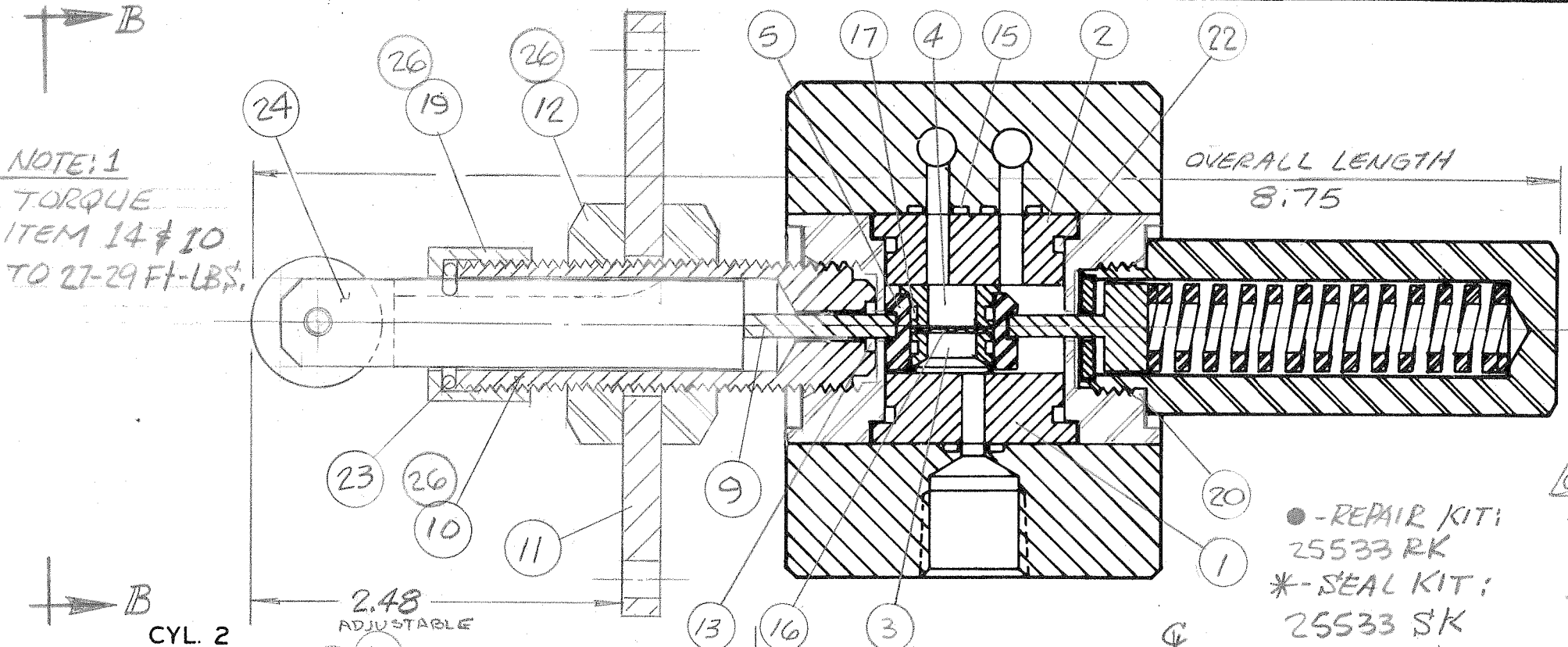


NOTE: 1
TORQUE
ITEM 14 \pm 10
TO 27-29 FT-LBS.



MTG. DIM.
1/4-20UNC X 1/2 DEEP
ON 1.875 DIA. B.C. 90°
APART AS SHOWN

SCALE: 3/8" = 1"

● - REPAIR KIT:
25533 RK
* - SEAL KIT:
25533 SK

ITEM	REQ'D	DESCRIPTION	PART NO.
1	1	SEAL PLATE	23145
2	1	SEAL PLATE CYLINDER	23146
3	1	PRESSURE SEAL	23147
4	1	CYLINDER SEAL	23148
5	1	SEAL CONTAINER	23149
6	1	SUPPLY COVER	23195
7	1	BODY	23194
8	1	CYLINDER COVER	23196
9	1	ROD PILOT	12423
10	1	ADJUSTING SCREW	12424
11	1	BRACKET, MOUNTING	12426
12	2	JAM NUT, 7/8-14 UNF	18232-006
13	1	O-RING (2-008)	18100-011B
14	1	SPRING HOUSING ASSEMBLY	23198
15	3	O-RING (2-010) 90d	18100-008C
16	1	CURVED-SPRING WASHER	18660-002
17	2	O-RING (2-013) 90d	18100-013C
18	4	SOC. HD. CAP SCR. 1/4-20 X 2 1/2 Lg.	18220-116S
22	2	O-RING (2-023)	18100-015B
25	1	NAMETAG	12225
21	2	SCREW, DRIVE	21082-002
19	1	RETAINER	12430
23	1	GUIDE CLIP	12431
24	1	CAM FOLLOWER ASS'Y	12433
20	1	O-RING (2-115)	18100-054B
26	A/R	ANTI-SEIZE	25822
27	1	ANTI-SEIZE	25822-1

SUPPLY - 5000 PSI
VENT - 3,000 PSI
5/16" TOTAL STROKE
210 LBS. ACTIVATION FORCE
C_v = .40

5 DIA. THRU
16
4 PLACES

MATERIAL: 316 STAINLESS STEEL

TREATMENT	ROCKWELL "C"	TOLERANCES (UNLESS OTHERWISE SPEC.)
		3-PLACE DEC. \pm
		2-PLACE DEC. \pm .010
		FRACTIONAL \pm
		ANGULAR \pm

ALL PIPE THREADS TO BE IN ACCORDANCE WITH AMERICAN STANDARD GAUGE UNLESS OTHERWISE SPECIFIED.

NO.	REVISIONS	DATE	DR.	CK.
C	ECN 2324	1/30/02	DDG	
B	ITEM 8 WAS 23167 ITEM 7 WAS 23296 ITEM 6 WAS 23165			
A	BODY WAS 23194	9-26-86	Jose	

NAME OF PART: CAM OPERATED 4WAY SELECTOR VALVE, 3/8 N.P.T.	
GILMORE VALVE COMPANY HOUSTON, TEXAS	
DATE: 6-30-86	REFERENCE
SCALE: FULL & NOTED	DRAWING NO.
DR. BY: Jose	25533
C'D BY:	
APP'D BY: JN	