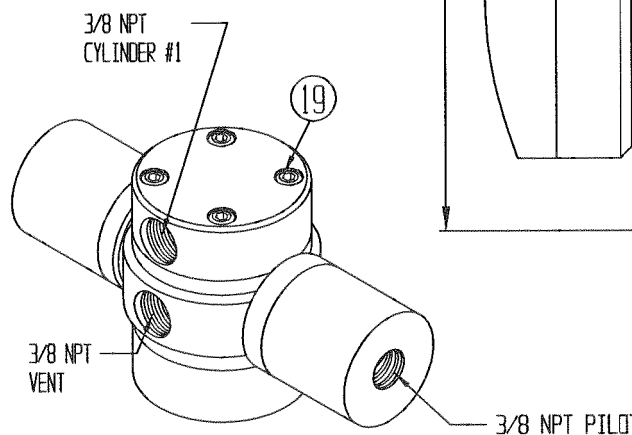
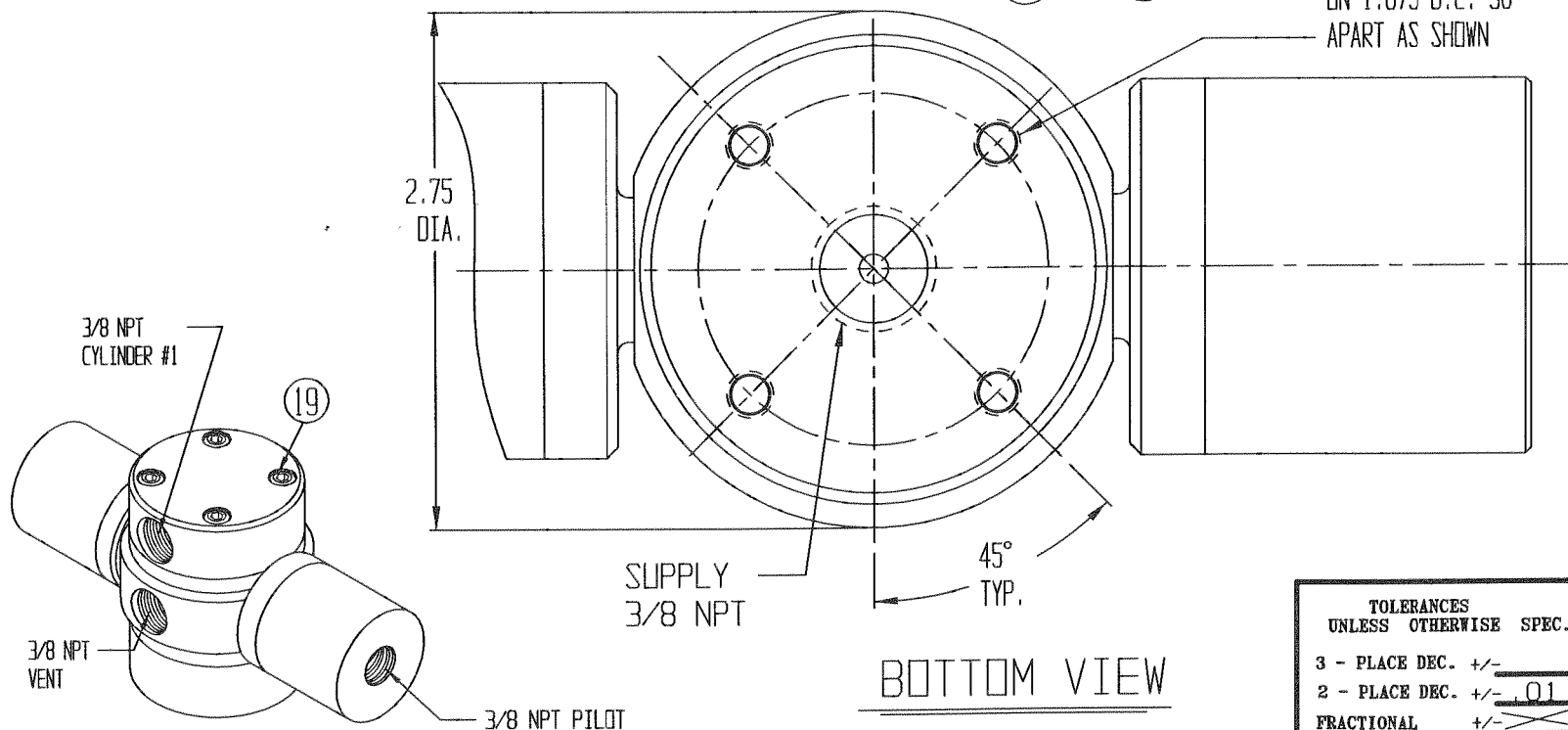
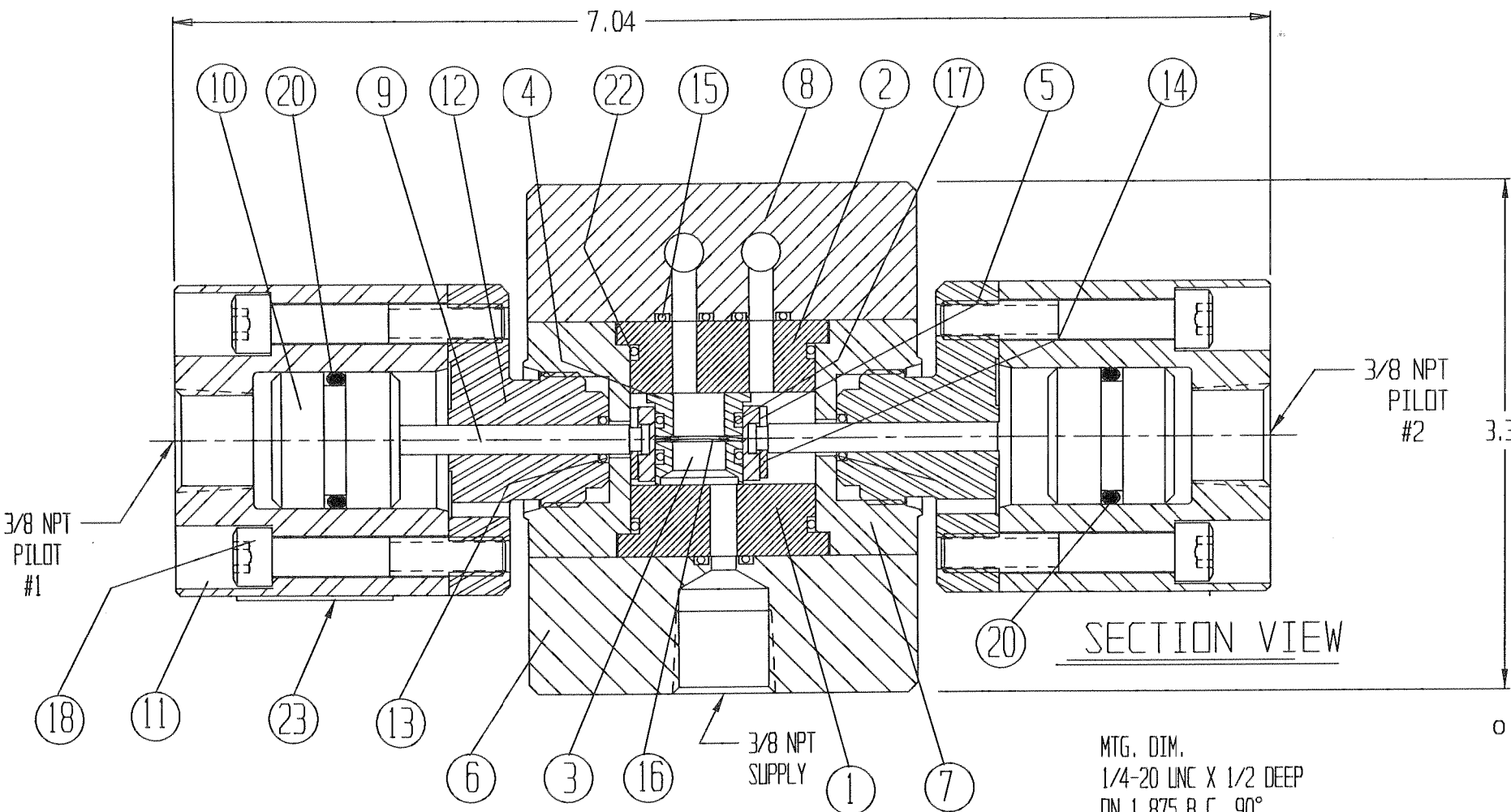


NOTE:  
1. TORQUE ITEM 12 TO 27-29 FT-LBS.



PARTS LIST			
ITEM	PART NO.	DESCRIPTION	REQ'D.
o 1	23145	SEAL PLATE, SUPPLY	1
o 2	23146	SEAL PLATE, CYLINDER	1
o 3	23147	PRESSURE SEAL	1
o 4	23148	CYLINDER SEAL	1
5	23265	SEAL CONTAINER	1
6	23195	SUPPLY COVER	1
7	23194	BODY	1
8	23196	CYLINDER COVER	1
9	12376	PILOT ROD	2
10	23191	PILOT PISTON	2
11	23189	CYLINDER	2
12	23190	CYLINDER CAP	2
o 13	18100-011B	O-RING 5/16 x 3/16 x 1/16	2
14	12318	RETAINING RING	1
o 15	18100-008C	O-RING 3/8 x 1/4 x 1/16	3
o 16	18660-002	CURVED SPRING WASHER	1
o 17	18100-013C	O-RING 9/16 x 7/16 x 1/16	2
18	18220-110S	SDC.HD.CAP SCR. 1/4-20 X 1 1/2 LG.	8
19	18220-116S	SDC.HD.CAP SCR. 1/4-20 X 2 1/2 LG.	4
o 20	18100-054B	O-RING 7/8 x 11/16 x 3/32	2
o 22	18100-015B	O-RING 1 3/16 x 1 1/16 x 1/16	2
23	12225	NAME TAG	1

o -- REPAIR KIT 25529-8 RK

MAXIMUM WORKING PRESSURE : SUPPLY ----- 5,000PSI  
 PILOT ----- 3,000PSI  
 VENT ----- 3,000PSI

FLOW CAPACITY Cv = .40  
 PILOT PRESSURE 85 PSI AT 500 PSI SUPPLY

WEIGHT 5 1/2 LBS.

MATERIAL :  
 316 STAINLESS STEEL

U.S. PAT. NO. 3,917,220

NAME OF PART	
2 POSITION DOUBLE PILOTED, 4 WAY SELECTOR VALVE ASSY	
GILMORE VALVE COMPANY HOUSTON, TEXAS	
DATE - 12-20-89	REFERENCE
SCALE - FULL	
DR. BY - jose'	DRAWING NO.
C'K'D BY - RLR	25529-4
APP'D BY -	

TOLERANCES UNLESS OTHERWISE SPEC.	
3 - PLACE DEC. +/-	
2 - PLACE DEC. +/-	.01
FRACTIONAL +/-	
ANGULAR +/-	

NO.	REVISIONS	DATE	DR.	CK.
	REDRAWN, DELETE ITEM 21 BACKUP RING 18110-111T ITEM 10 WAS P 12668	9/24/93	JOSE	RLR