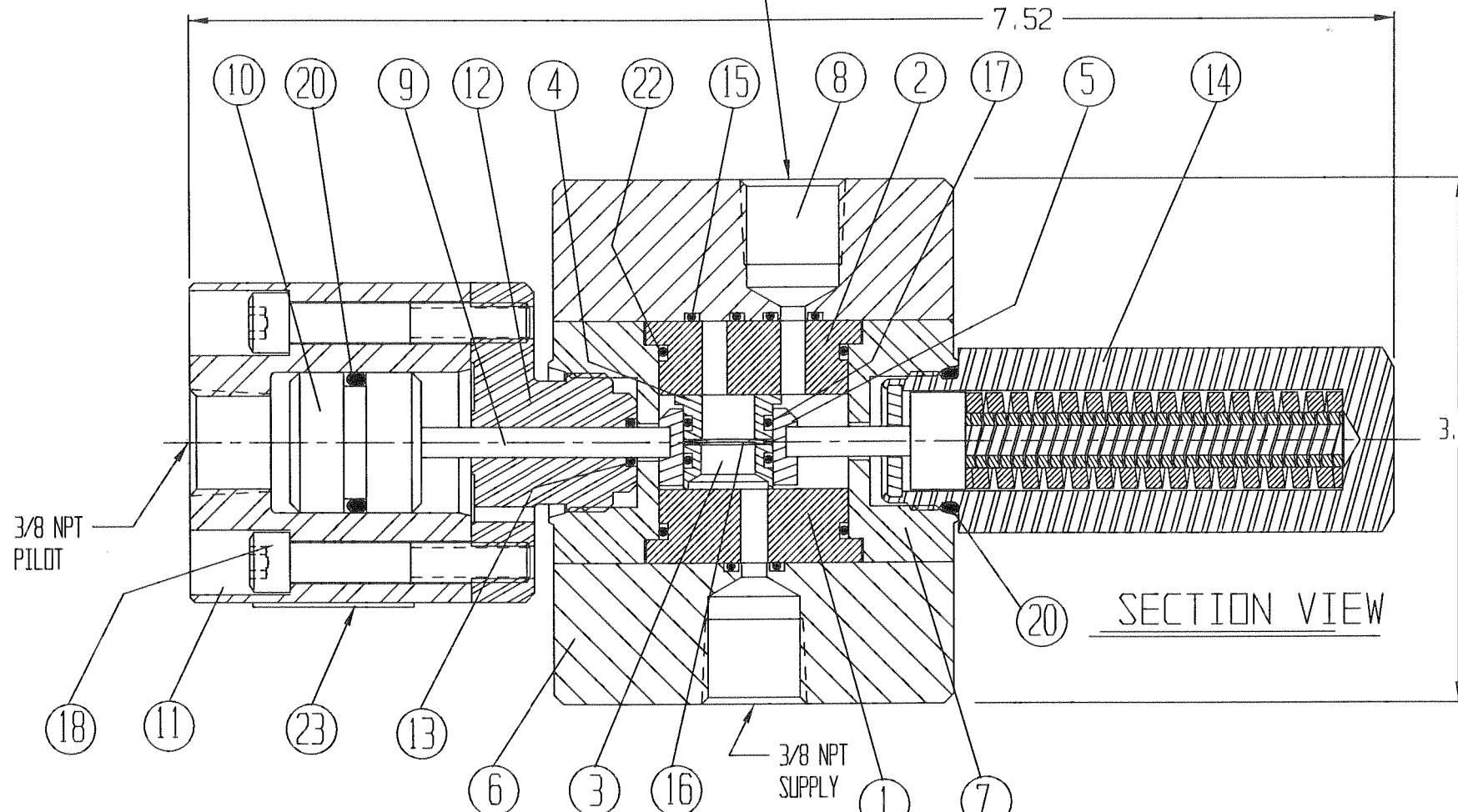


NOTE:

1. TORQUE ITEM 12 AND 14 TO 27-29 FT-LBS.

3/8 NPT (CYLINDER) SHOWN IN NORMALLY CLOSED POSITION, ROTATE 180° FOR NORMALLY OPEN POSITION



PARTS LIST			
ITEM	PART NO.	DESCRIPTION	REQ'D.
o 1	23145	SEAL PLATE, SUPPLY	1
o 2	23146	SEAL PLATE, CYLINDER	1
o 3	23147	PRESSURE SEAL	1
o 4	23148	CYLINDER SEAL	1
5	23149	SEAL CONTAINER	1
6	23195	SUPPLY COVER	1
7	23194	BODY	1
8	12537	CYLINDER COVER	1
9	23257	PILOT ROD	1
10	23191	PILOT PISTON	1
11	23189	CYLINDER	1
12	23190	CYLINDER CAP	1
o 13	18100-011B	O-RING 5/16 x 3/16 x 1/16	1
14	23198	SPRING HOUSING ASS'Y	1
o 15	18100-008C	O-RING 3/8 x 1/4 x 1/16	3
o 16	18660-002	CURVED SPRING WASHER	1
o 17	18100-013C	O-RING 9/16 x 7/16 x 1/16	2
18	18220-110S	SOC. HD. CAP SCR. 1/4-20 X 1 1/2 LG.	4
19	18220-116S	SOC. HD. CAP SCR. 1/4-20 X 2 1/2 LG.	4
o 20	18100-054B	O-RING 7/8 x 11/16 x 3/32	2
o 22	18100-015B	O-RING 1 3/16 x 1 1/16 x 1/16	2
23	12225	NAME TAG	1

o -- REPAIR KIT 25515RK

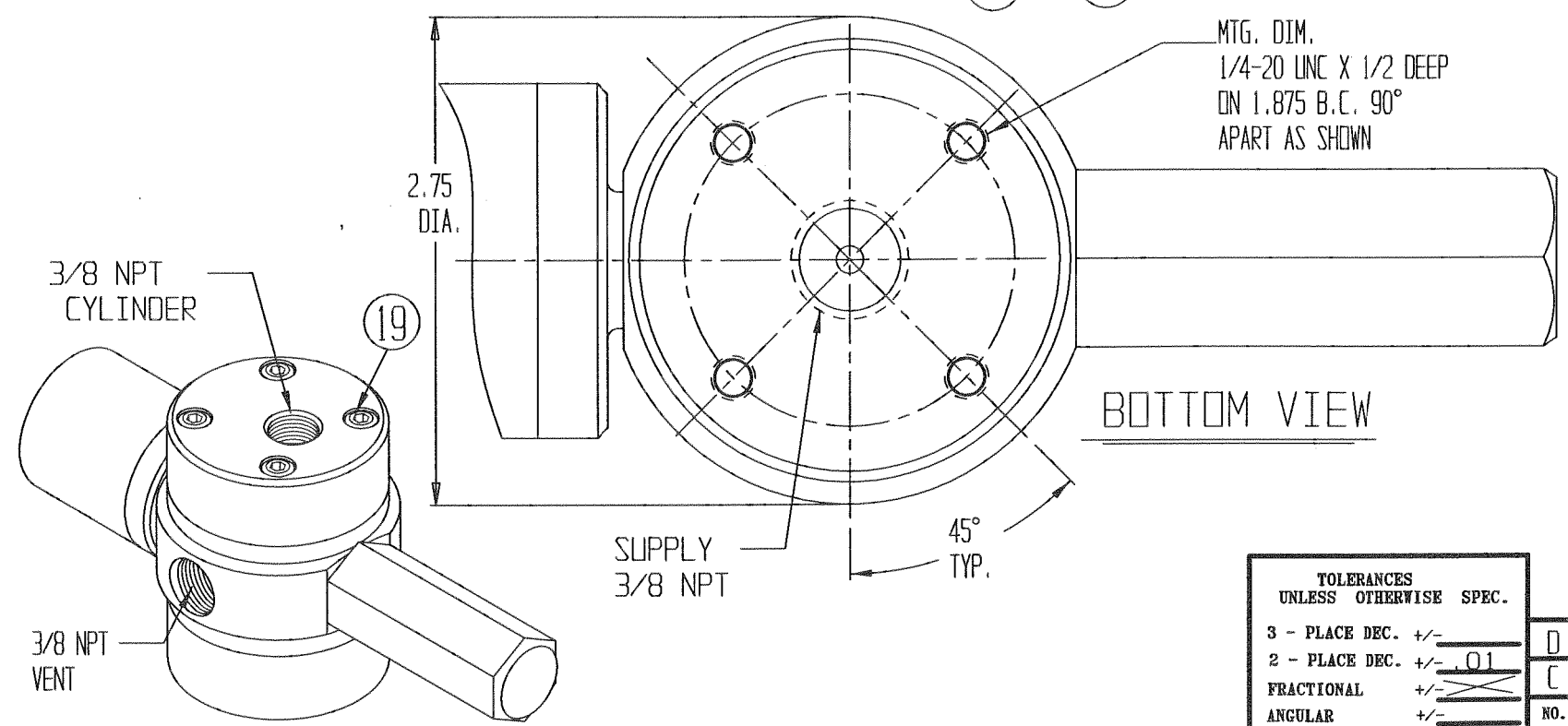
MAXIMUM WORKING PRESSURE : SUPPLY ----- 5,000PSI
 PILOT ----- 3,000PSI
 VENT ----- 3,000PSI

FLOW CAPACITY Cv = .40
 PILOT PRESSURE 410 PSI AT 3,000 PSI SUPPLY

WEIGHT 5 1/2 LBS.

MATERIAL :
 316 STAINLESS STEEL

U.S. PAT. NO. 3,917,220



TOLERANCES UNLESS OTHERWISE SPEC.	
3 - PLACE DEC.	+/-
2 - PLACE DEC.	+/- .01
FRACTIONAL	+/-
ANGULAR	+/-

NO.	REVISIONS	DATE	DR.	CK.
D	ADDED POSITION ON CYLINDER COVER	1/14/94	JOSE	RLR
C	REDRAWN	9/22/93	JOSE	RLR

NAME OF PART	
3/8 NPT PILOT HYD. CYLINDER 3 WAY SELECTOR VALVE ASS'Y SHOWN - NORMALLY CLOSED	
GILMORE VALVE COMPANY HOUSTON, TEXAS	
DATE - 12-20-85	REFERENCE
SCALE - FULL	
DR. BY - jose'	DRAWING NO.
C'K'D BY - RLR	25515
APP'D BY -	