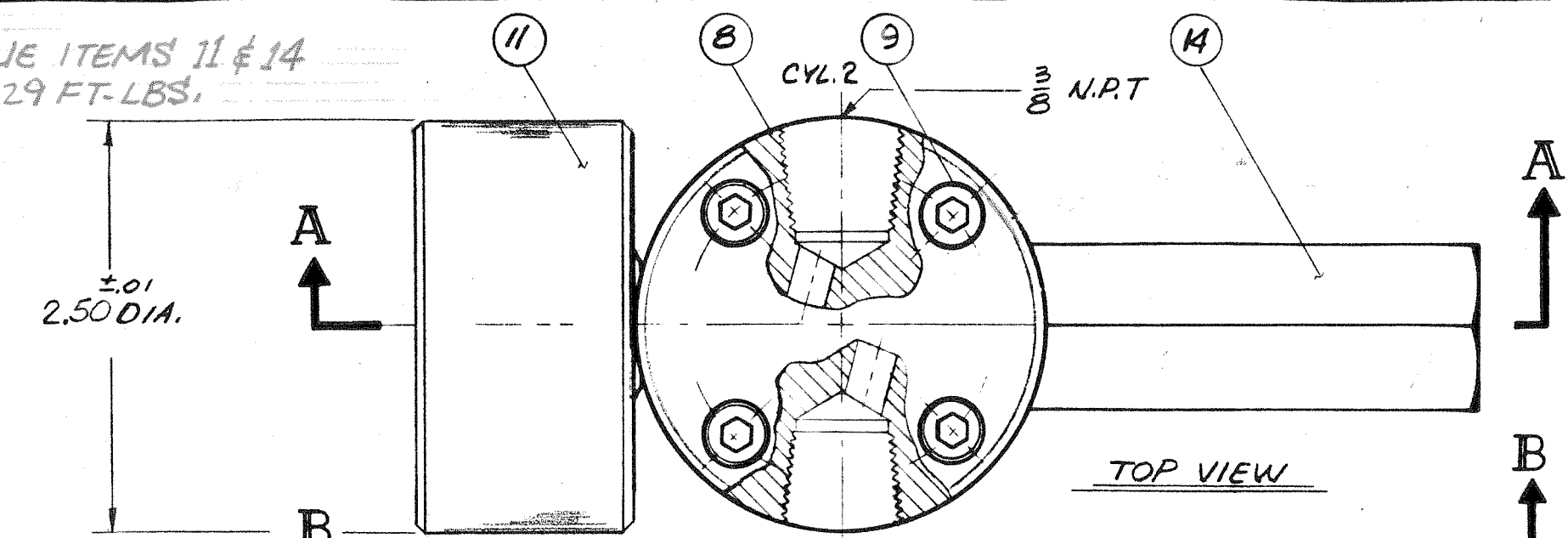
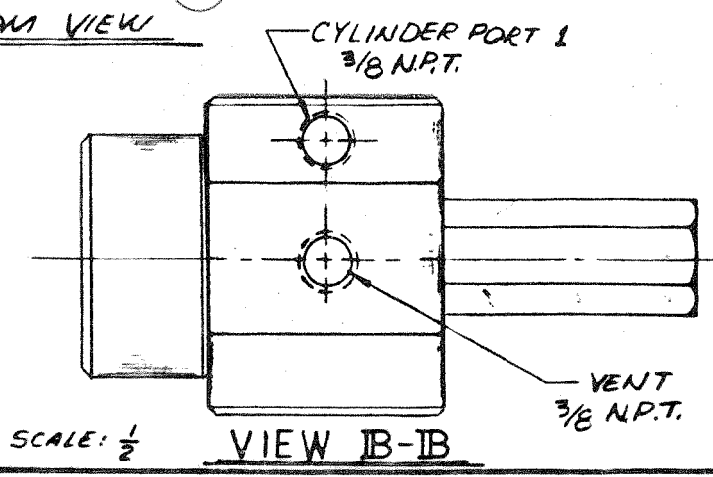
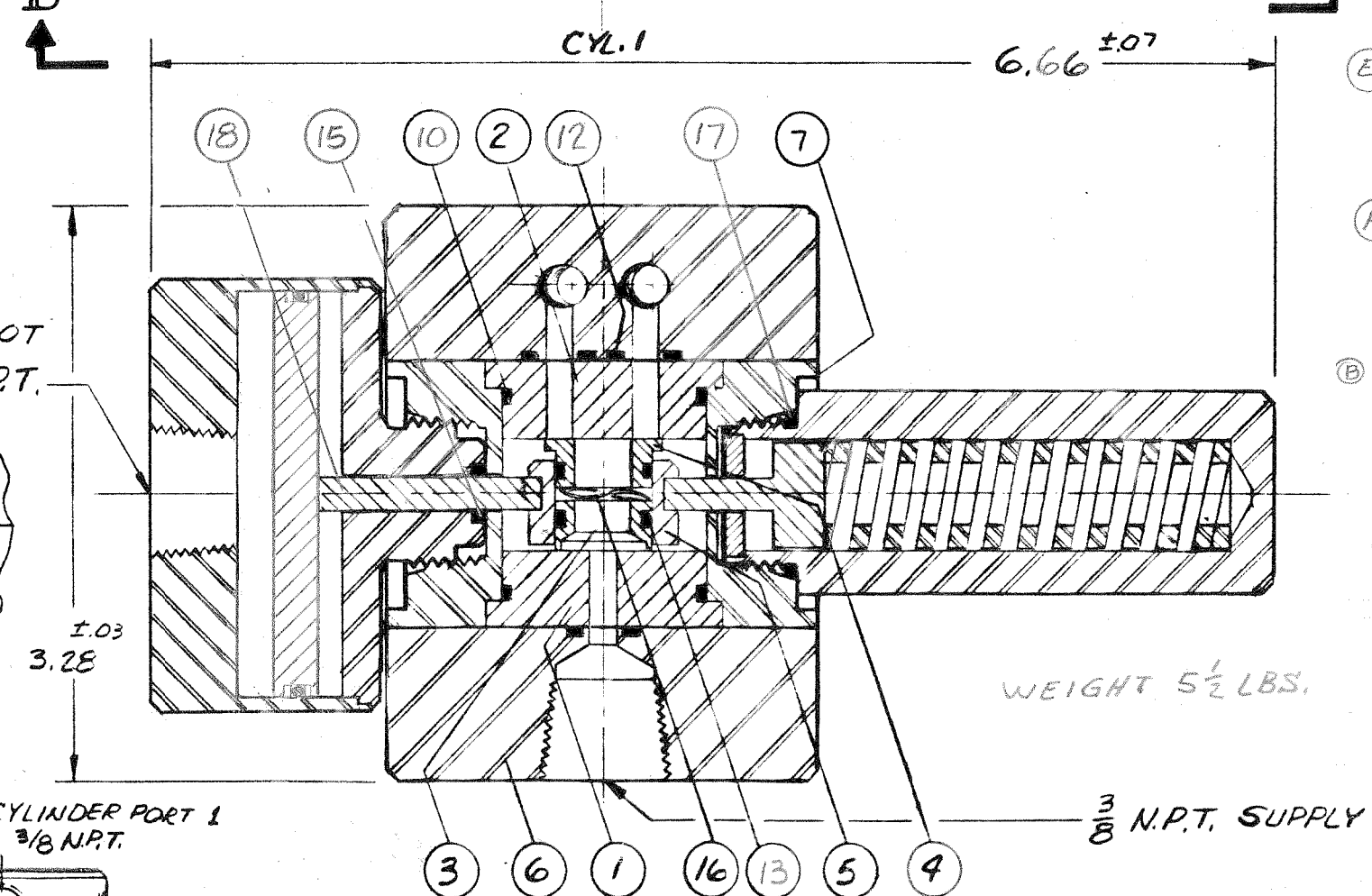
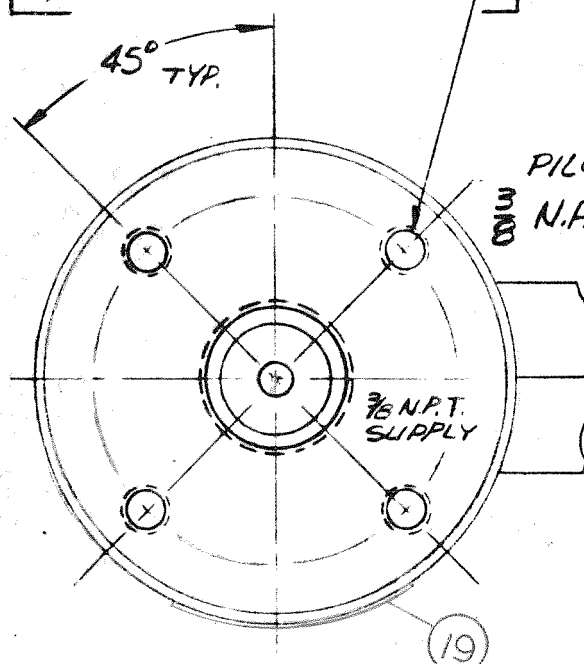


**NOTE: 1**  
TORQUE ITEMS 11 & 14  
TO 27-29 FT-LBS.



MTG. DIM.  
1/4-20 UNC X 1/2 DEEP  
ON 1.875 DIA. B.C. 90°  
APART AS SHOWN



ITEM	REQ'D	DESCRIPTION	PART NO.
1	1	SEAL PLATE	23145
2	1	SEAL PLATE CYLINDER	23146
3	1	PRESSURE SEAL	23147
4	1	CYLINDER SEAL	23148
5	1	SEAL CONTAINER	23149
6	1	SUPPLY COVER	23195
7	1	BODY	23194
8	1	CYLINDER COVER	23196
9	4	SOC. HD. CAP SCR 1/4-20 X 2 1/2 Lg.	18220-116S
10	2	"O" RING (2-023)	18100-015B
11	1	CYLINDER ASS'Y	23243
12	3	"O" RING (2-010) 90d	18100-008C
13	2	"O" RING (2-013) 90d	18100-013C
14	1	SPRING HOUSING ASS'Y	23198
15	1	"O" RING (2-008)	18100-011B
16	1	CURVED-SPRING WASHER	18660-002
17	1	"O" RING (2-115)	18100-054B
18	1	PILOT ROD	23153
19	1	NAMETAG	12225

REPAIR KIT 25512 RK  
MAXIMUM WORKING PRESSURE : SUPPLY 5,000 PSI  
PILOT 300 PSI  
VENT 3,000 PSI  
PILOT PRESSURE 55 PSI AT 3000 PSI SUPPLY  
FLOW CAPACITY Cv = .40

WEIGHT 5 1/2 LBS.

3,917,220  
U.S. PAT. NO.

**SECTION A-A**

MATERIAL: STAINLESS STL. BODY

TREATMENT	ROCKWELL C	TOLERANCES UNLESS OTHERWISE SPEC.
		3-PLACE DEC. ±
		2-PLACE DEC. ±
		FRACTIONAL ±
		ANGULAR ±

ALL PIPE THREADS TO BE IN ACCORDANCE WITH AMERICAN STANDARD GAUGE UNLESS OTHERWISE SPECIFIED.

NO.	REVISIONS	DATE	DR.	CK.
F	ITEM 14 WAS 2317B	9-6-91	Jose	
E	ITEM 11 WAS 23180 ITEM 6 WAS 23165	8-13-91	Jose	
D	ITEM 7 WAS 23296 ITEM 8 WAS 23107	1-5-90	Jose	
C	WAS 23166 BODY W/2810	2-3-86	DR	
B	WAS 2-019	2-25-84	JW	DR
A	ADD SUB ASS'Y ITEM 11 & 14	10-12-84	Jose	DR

NAME OF PART 3/8 N.P.T. 4-WAY SELECTOR V.	
GILMORE VALVE COMPANY HOUSTON, TEXAS	
DATE: 8-14-84	REFERENCE
SCALE: FULL & NOTED	DRAWING NO.
DR. BY: JOSÉ	25512
CHK'D BY: DR 9-5-84	
APP'D BY: RW	