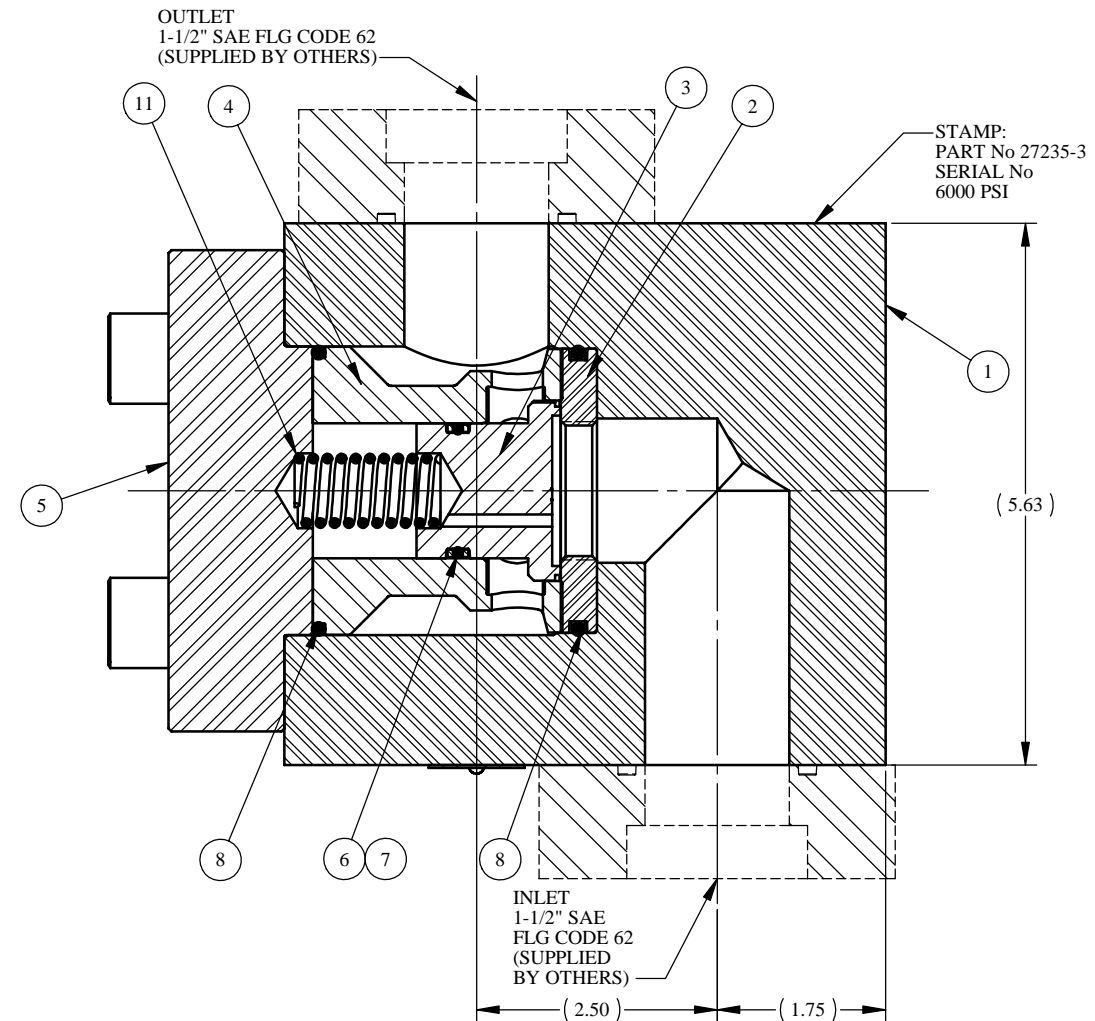
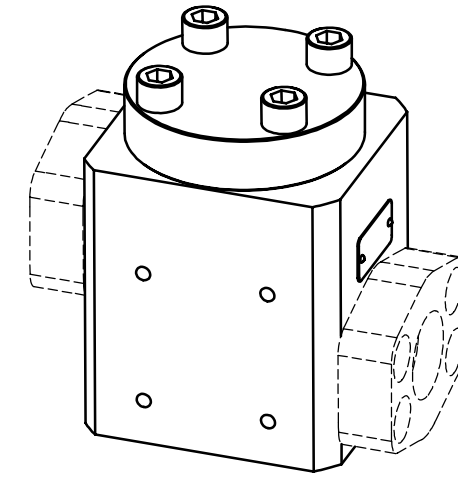


REV	ECN/ERN NO.	DRWN	CHKD	APPD
B	ECN 2507	JOSE 10/10/02	DJW 10/14/02	TBT 10/14/02



SECTION A-A



ITEM NO.	QTY.	PART NO.	DESCRIPTION	RK	SK
1	1	27229-3	BODY, 1-1/2" SAE FLG CODE 62		
2	1	27122	SEAL	X	X
3	1	23093	SEAL SLEEVE	X	
4	1	27140	CAGE		
5	1	27239	1-1/2" FLANGE		
6	1	18100-078B	O-RING	X	X
7	2	18110-131T	BACKUP RING	X	X
8	2	18100-115C	O-RING	X	X
9	4	18224-016	S.H.C.S., 5/8-18 UNF X 2-1/2		
11	1	12000	COMPRESSION SPRING		
12	1	12225	NAME TAG		
13	2	21082-002	SCREW, DRIVE		
14	A/R	25822	ANTI SEIZE		
15	1	25822-1	ANTI SEIZE	X	X

PRESSURE DATA

MAXIMUM PRESSURE - 6,000 PSI
 PROOF PRESSURE - 9,000 PSI
 CRACKING PRESSURE - 35 PSI

FLOW DATA

MAXIMUM FLOW CAPACITY - 320 GPM
 Cv = 30
 FLUIDS - WATER, AND MINERAL OIL
 BASED HYDRAULIC FLUID

PORTS

INLET - 1-1/2" SAE FLG CODE 62
 OUTLET - 1-1/2" SAE FLG CODE 62

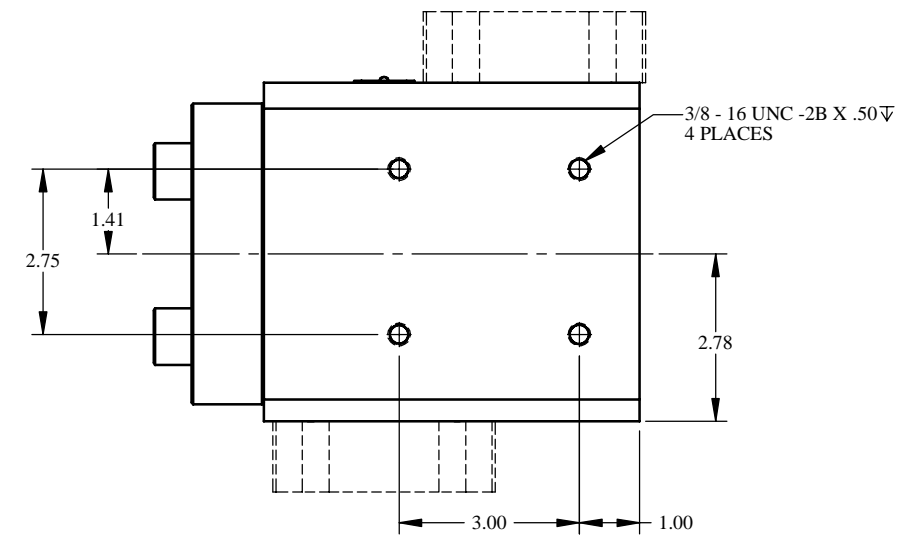
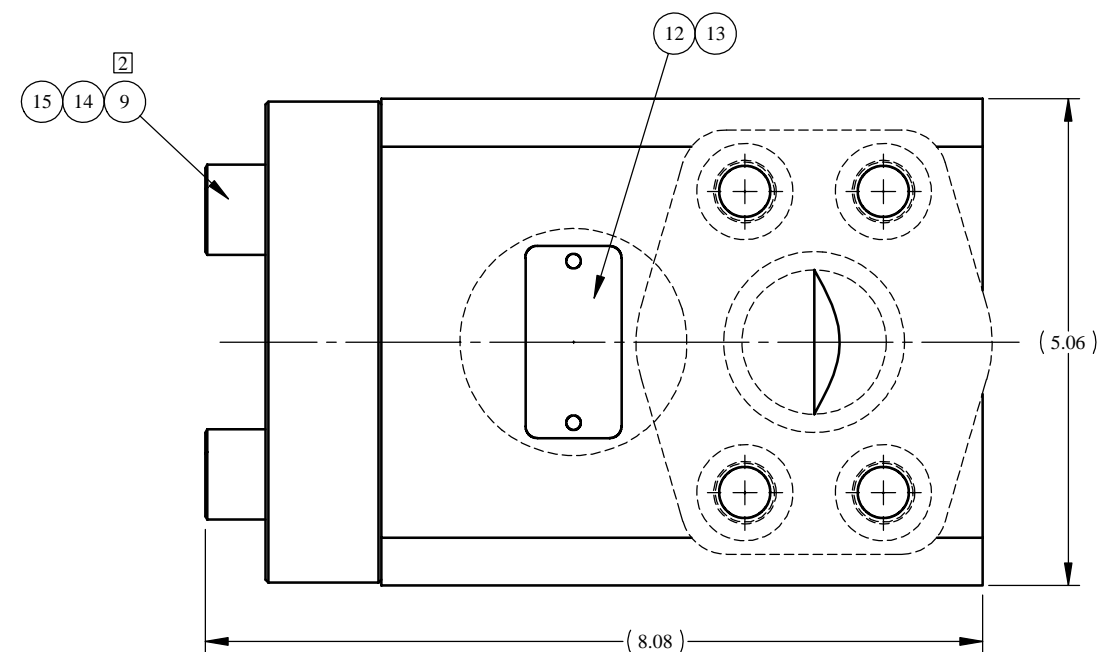
GENERAL DATA

TEMPERATURE RANGE - +32°F TO +200°F
 APPROX WEIGHT - 49 LBS
 FIELD SERVICEABLE

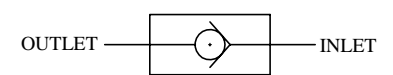
MATERIALS

STAINLESS STEEL
 PEEK
 NITRILE RUBBER

PATENT NO. 4,793,590 APPLIES



MOUNTING DETAIL



SCHEMATIC

NOTES: 2 TORQUE MAIN FLANGE BOLTS (ITEM 9) TO 165 FT-LBS.
 1. X DEPICTS PARTS IN REPAIR KIT 27235-3 RK/SK.

MATERIAL SEE INDIV. BOM	UNLESS OTHERWISE SPECIFIED TOLERANCES: DECIMALS FRACTIONS ANGLE X ± .1 ± 1/32 ± 1° XX ± .01 XXX ± .005 DEBURR BREAK SHARP EDGES .010 INTERNAL RADIUS .015 FINISH 68	DRWN BY JK	DATE 8/3/01	GILMORE VALVE CO. 1231 LUMPKIN RD. HOUSTON, TX. 77043		
TREATMENT	CONDITION	CHKD BY HH	DATE 8/8/01			
PROC. NO.		APPD BY HH	DATE 8/8/01	VALVE, CHECK, 1-1/2" SAE FLANGE		
THE INFORMATION CONTAINED IN THIS DRAWING IS THE SOLE PROPERTY OF GILMORE VALVE CO. UNLESS OTHERWISE STATED, ANY REPRODUCTION IN PART OR WHOLE WITHOUT THE WRITTEN PERMISSION OF GILMORE VALVE CO. IS PROHIBITED.		ERN NO. 00470	DATE 8/3/01			
DIMENSIONS ARE IN INCHES DO NOT SCALE DRAWING INTERPRET DIM. & TOL. PER ASME Y14.5M - 1994				SIZE C	DWG NO. 27235-3	REV B
SCALE 0.8:1		SOLIDWORKS		SHEET 1 OF 1		