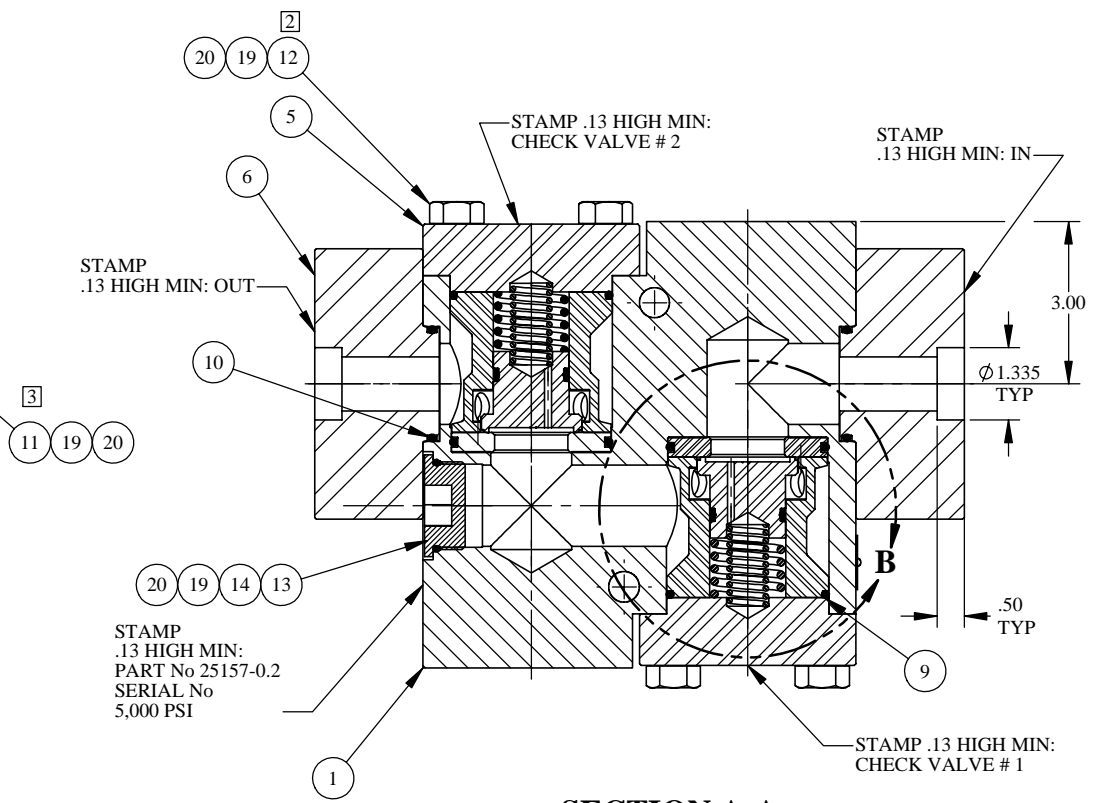
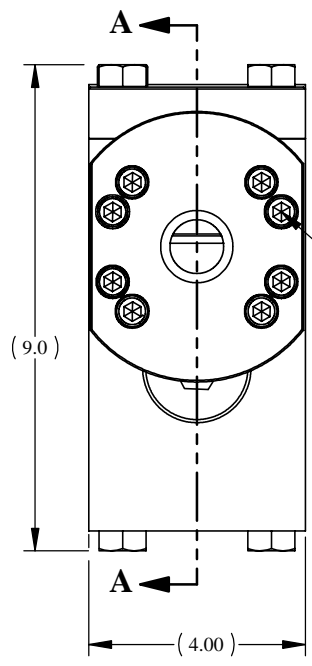
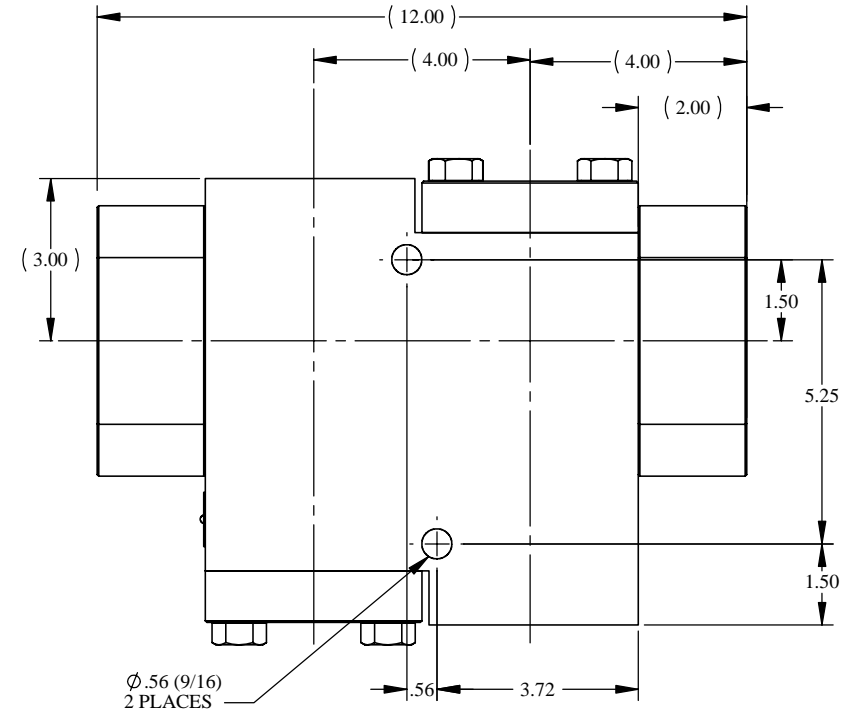


REV	ECN/ERN NO.	DRWN	CHKD	APPD
A	ERN 00857	JOSE 1/26/04	DJW 2/9/04	TBT 2/11/04



ITEM NO.	QTY.	PART NO.	DESCRIPTION	RK	SK
1	1	24052	BODY 1" DOUBLE CHECK VALVE		
2	2	27122-1	SEAL	X	X
3	2	23093	SEAL SLEEVE	X	
4	2	27140	CAGE		
5	2	23089	2" FLANGE		
6	2	24051	1" SOCKET WELD FLANGE		
7	2	18100-078B	O-RING	X	X
8	4	18110-131T	BACKUP RING	X	X
9	4	18100-115C	O-RING	X	X
10	2	18100-117C	O-RING	X	X
11	16	18224-006	S.H.C.S., 3/8-16 UNC X 2		
12	8	21053	H.H.C.S., 5/8-18 UNF X 1-5/8		
13	1	18603-020	HEX PLUG, 1-1/4 SAE		
14	1	18100-217C	O-RING	X	X
15	2	27121	SPRING, COMPRESSION		
16	2	12000	SPRING, COMPRESSION		
17	1	12225	NAME TAG		
18	2	21082-002	SCREW, DRIVE		
19	A/R	25822	ANTI SEIZE		
20	2	25822-1	ANTI SEIZE	X	X

PRESSURE DATA
 MAXIMUM PRESSURE - 5,000 PSI
 PROOF PRESSURE - 7,500 PSI
 CRACKING PRESSURE - 80 PSI

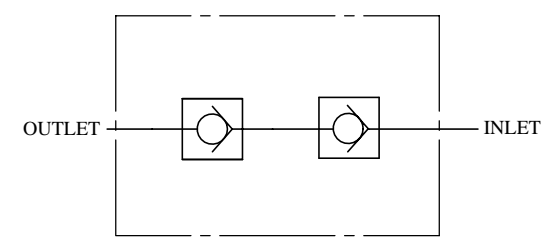
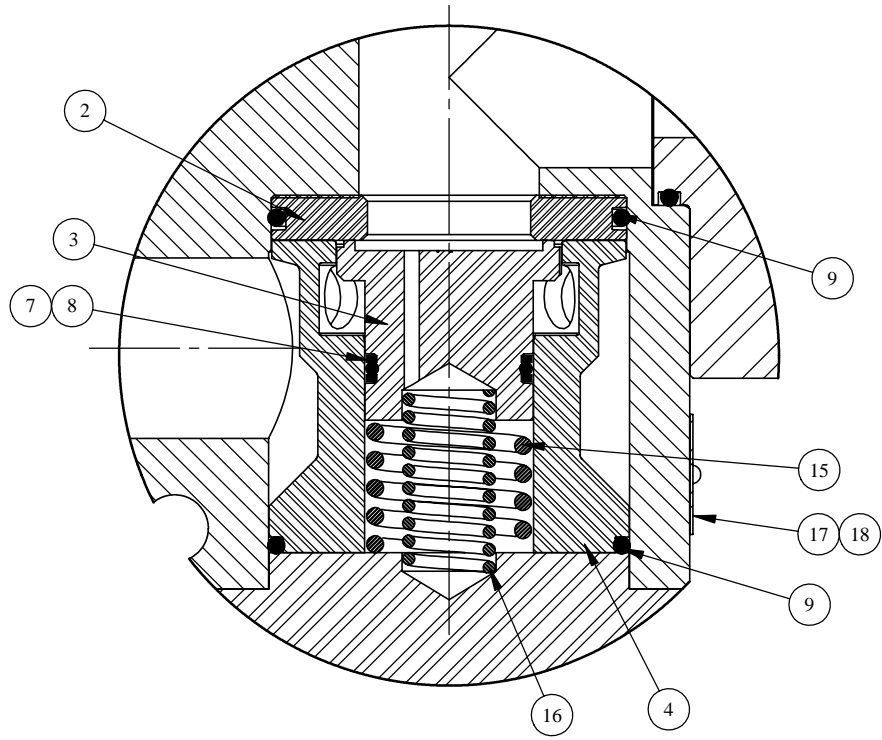
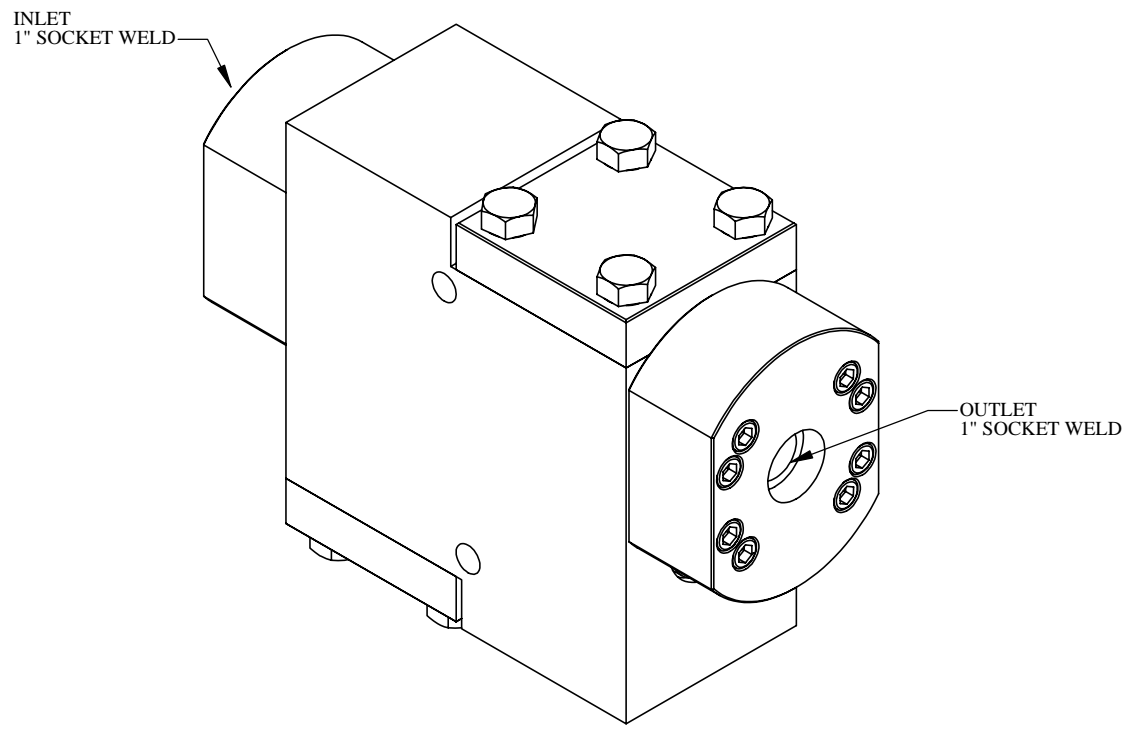
FLOW DATA
 MAXIMUM FLOW CAPACITY - 320 GPM
 Cv = 17
 FLUIDS - WATER, AND MINERAL OIL
 BASED HYDRAULIC FLUID

PORTS
 INLET - 1" SOCKET WELD
 OUTLET - 1" SOCKET WELD

GENERAL DATA
 TEMPERATURE RANGE - +32°F TO +200°F
 APPROX WEIGHT - 82 LBS
 FIELD SERVICEABLE

MATERIALS
 STAINLESS STEEL
 DELRIN
 NITRILE RUBBER

U.S. PATENT NO. 4,793,590



NOTES:
 1. X DEPICTS PARTS IN REPAIR KIT 25157-0.2 RK/SK.
 2. TORQUE MAIN FLANGE BOLTS (ITEM 13) TO 108 FT-LBS.
 3. TORQUE CONNECTION FLANGE BOLTS (ITEMS 12) TO 18 FT-LBS.

MATERIAL SEE INDIVIDUAL BOM ITEMS	TOLERANCES: DECIMALS FRACTIONS ANGLES X ± .1 ± 1/32 ± 1°	DRWN BY JOSE'	DATE 1/26/04	GILMORE VALVE CO. 1231 LUMPKIN RD. HOUSTON, TX. 77043	
TREATMENT	CONDITION	CHKD BY DJW	DATE 2/9/04		
PROC. NO. GVCEP-0218-T	DEBURF BREAK SHARP EDGES .010 INTERNAL RADIUS .015 FINISH 68/	APPD BY TBT	DATE 2/11/04	VALVE, DOUBLE CHECK, 1" SOCKET WELD	
THE INFORMATION CONTAINED IN THIS DRAWING IS THE SOLE PROPERTY OF GILMORE VALVE CO. UNLESS OTHERWISE STATED, ANY REPRODUCTION IN PART OR WHOLE WITHOUT THE WRITTEN PERMISSION OF GILMORE VALVE CO. IS PROHIBITED.	INTERPRET DIM. & CL. PER ASME Y14.5M - 1994	ERN NO. 00857	DATE 1/13/04		
DIMENSIONS ARE IN INCHES DO NOT SCALE DRAWING		SCALE 1:2		DWG NO. 25157-0.2	REV A
SHEET 1 OF 1		SOLIDWORKS		SHEET 1 OF 1	