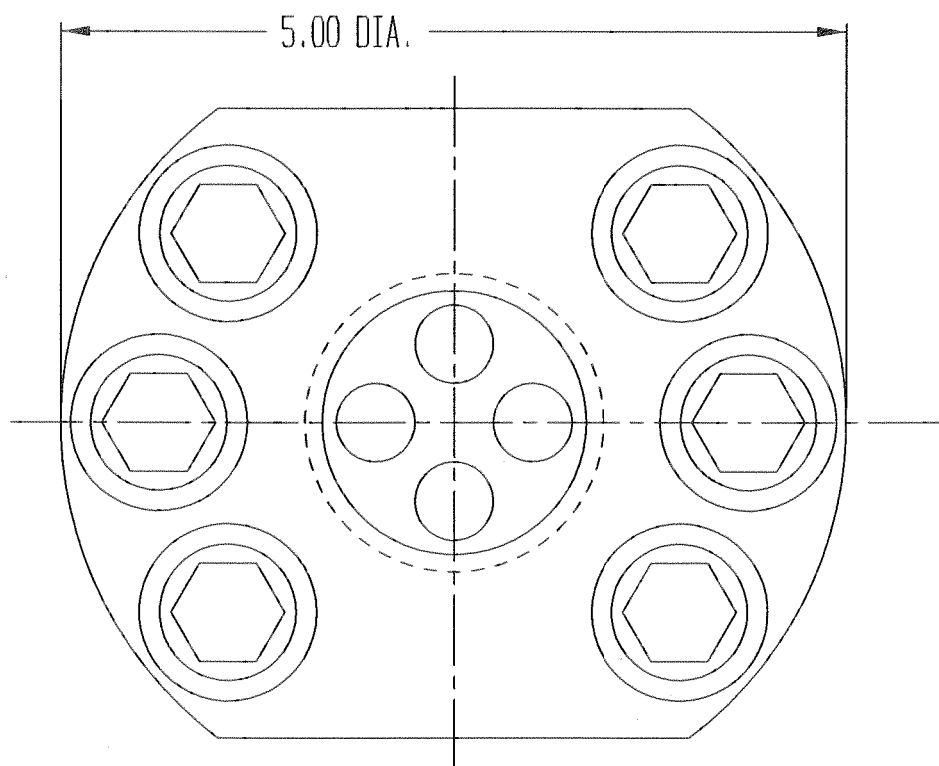
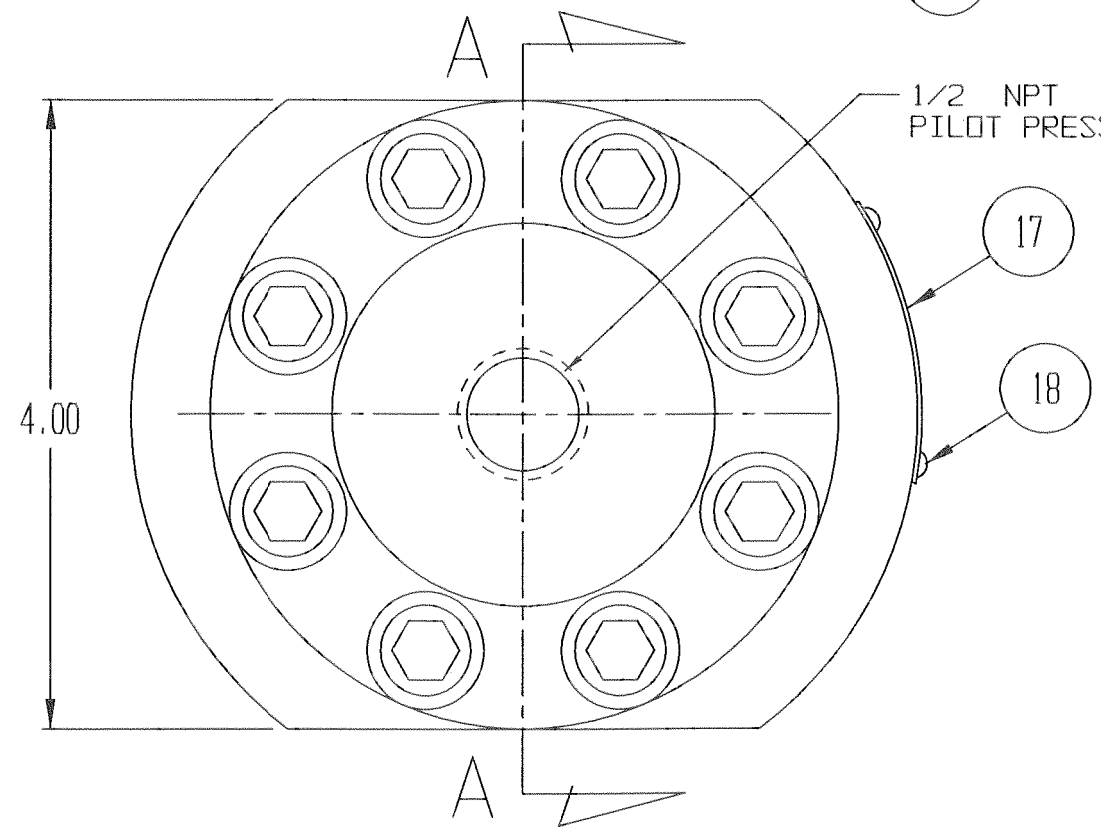


PARTS LIST

ITEM	PART NO.	DESCRIPTION	REQ'D.
1	24004	BODY	1
2	24010	FLANGE 1-1/2 NPT	1
3	23078	FLANGE 1/2-NPT	1
4	18220-318S	SOC. HD. CAP SCREW	8
5	23274	PISTON ASSY	1
6	12328	PILOT CYLINDER	1
o 7	12053	SEAT \ GUIDE	1
8	12052	SPRING GUIDE	1
o 9	11695	COMPRESSION SPRING	1
o 10	18800-011	BALL, 1.25 DIA.	1
*o 11	12326	SEAL	1
*o 12	18100-101C	O-RING, 2.5X2.25X.13	3
*o 13	18100-105B	O-RING, 2.0X1.75X.13	1
*o 14	18100-103B	O-RING, 1.63X1.38X.13	1
*o 15	18100-136C	O-RING, .63X.38X.13	1
16	18220-802S	SOC. HD. CAP SCREW	6
17	12225	NAME PLATE	1
19	21082-002	SCREW, DRIVE	2
19	25822	ANTI SEIZE	A/R
*o 20	25822-1	ANTI SEIZE	1



VIEW B - B



o- REPAIR KIT : 25154 -1RK
 * - SEAL KIT : 25154 -1SK

MAXIMUM INLET PRESSURE = 5,000 PSI
 MAXIMUM PILOT PRESSURE = 5,000 PSI
 PILOT PRESSURE RATIO = 1 : 2.5
 Cv =15
 CRACKING PRESSURE = 5
 PILOT VENT = EXTERNAL

B	ECN 2785	3/30/04	JOSE'	DDW 5/10/04
NO.	REVISIONS	DATE	DR.	CK.

NAME OF PART	
1-1/2 PILOT OPERATED CHECK VALVE	
GILMORE VALVE COMPANY	
HOUSTON, TEXAS	
DATE - 12-2-98	REFERENCE
SCALE - .81	
DR. BY - JOSE'	DRAWING NO.
C'K'D BY -	25154-1
APP'D BY - RWM 12/2/90	