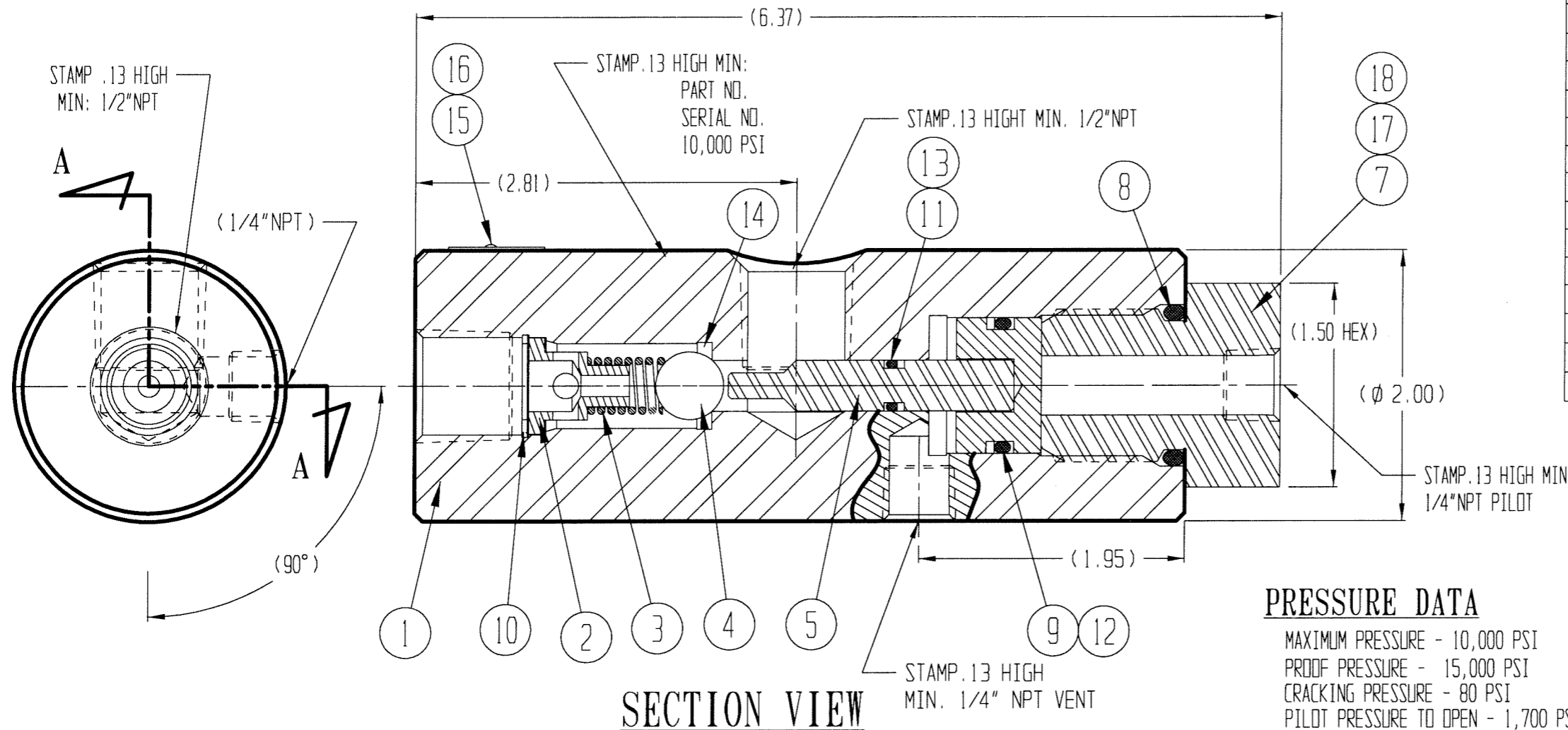


ITEM	DESCRIPTION	PART NO.	REQ'D	RK
1	BODY	23689	1	
2	SPRING GUIDE	11763-1	1	
3	SPRING	11741	1	X
4	BALL	18800-029	1	X
5	PISTON ROD	22723	1	
6	PISTON	22722	1	
7	CAP	12735	1	
8	O-RING	18100-121B	1	X
9	O-RING	18100-074B	1	X
10	RETAINER RING	18400-068	1	X
11	O-RING	18100-008C	1	X
12	BACK-UP RING	18110-115T	1	X
13	BACK-UP RING	18110-006T	1	X
14	SEAL	12408	1	X
15	NAME TAG	12227	1	
16	SCREW, DRIVE	21082-002	2	
17	ANTI SEIZE	25822	A/R	
18	ANTI SEIZE	25822-1	1	X



SECTION VIEW

GENERAL DATA

TEMPERATURE RANGE - + 32°F TO +200°F
 APPROX WEIGHT - 4-1/2" LBS.
 FIELD SERVICEABLE

PRESSURE DATA

MAXIMUM PRESSURE - 10,000 PSI
 PROOF PRESSURE - 15,000 PSI
 CRACKING PRESSURE - 80 PSI
 PILOT PRESSURE TO OPEN - 1,700 PSI
 $\frac{\text{INLET PRESSURE}}{\text{PILOT PRESSURE}} = 5.8$
 PILOT VENT - EXTERNAL

FLOW DATA

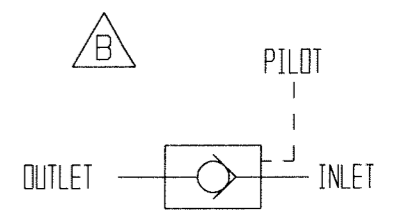
$C_v = 1.6$
 FLUIDS - WATER AND MINERAL OIL
 BASED HYDRAULIC FLUID

PORTS

INLET - 1/2" NPT
 OUTLET - 1/2" NPT
 PILOT - 1/4" NPT
 VENT - 1/4" NPT

MATERIALS

316 SS
 302 SS
 303 SS
 440C
 17-4 PH
 TUGSTEN CARBIDE
 15-7 MO
 DELRIN 500
 NITRILE RUBBER
 TEFLON



SCHEMATIC

- NOTES:**
- THE FOLLOWING TOOLS ARE REQUIRED FOR REPAIRS.
 ATL 10021 - SEAL REMOVAL TOOL
 ATL 10025 - SEAL INSTALL TOOL
 - X DEPICTS PARTS IN REPAIR KIT 22720-4 RK
 - PROCEDURE NO. GVCEP-0446-M

MATERIAL : SEE INDIV BOM ITEMS		
TREATMENT	ROCKWELL 'C'	TOLERANCES UNLESS OTHERWISE SPEC.
		3 - PLACE DEC. ± .005
		2 - PLACE DEC. ± .01
		FRACTIONAL ±
		ANGULAR ± 3°
ALL PIPE THREADS TO BE IN ACCORD - ANCE WITH AMERICAN STANDARD GAUGE UNLESS OTHERWISE SPECIFIED.		

NO.	REVISIONS	DATE	DR.	CK.
B	ECN 2871	11/18/04	JOSE	

NAME OF PART	
VALVE, CHECK, 1/2" PILOTED OPERATED, SOFT SEAT	
GILMORE VALVE COMPANY HOUSTON, TEXAS	
DATE - 7/23/04	REFERENCE
SCALE - FULL	
DR. BY - JOSE'	DRAWING NO.
C'K'D BY - DJW 7/23/04	22720-4
APP'D BY - TBT 7/23/04	